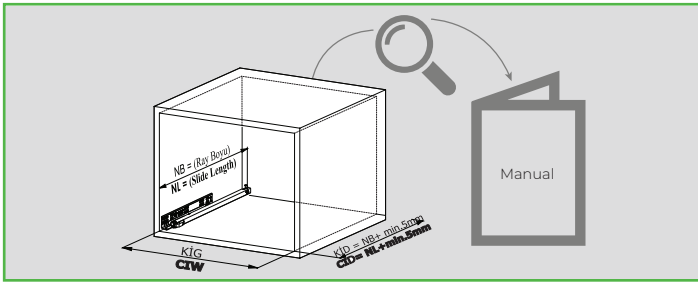


ULTIMADESINGLE

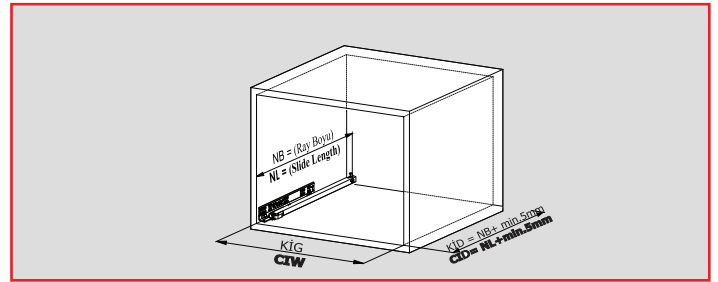
- DO - 

- DON'T - 

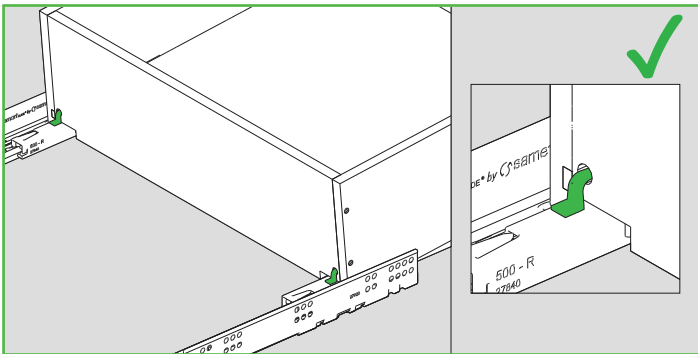
1



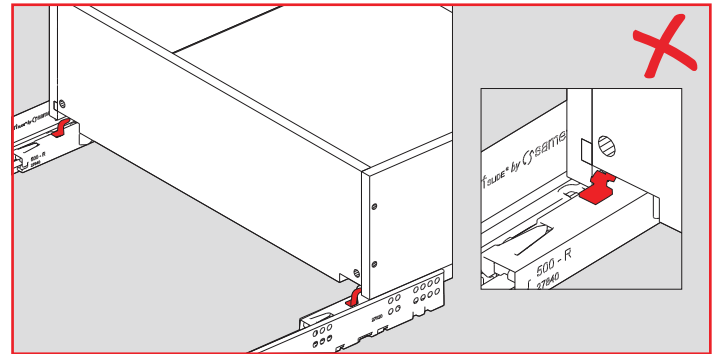
Refer to the Ultimade Single User Manual for specific information regarding Slidea drawer dimensions.



Drawer dimensions should not be altered from what is written in the Ultimade Single User Manual.

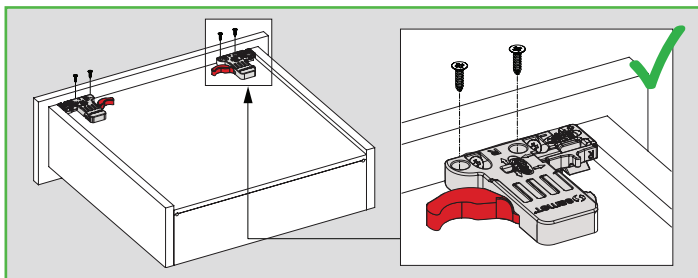


Back hook of the slide should be inserted into the drawer back gently.

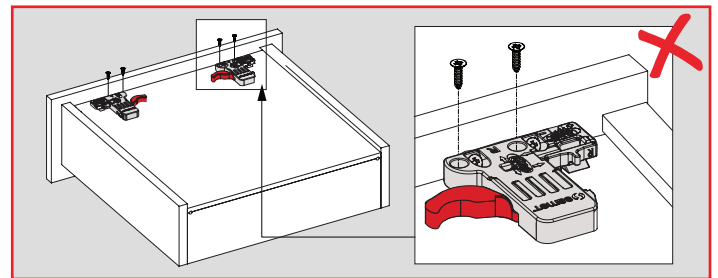


Back hook of the slide should not be bent as it is inserted into the drawer back.

3

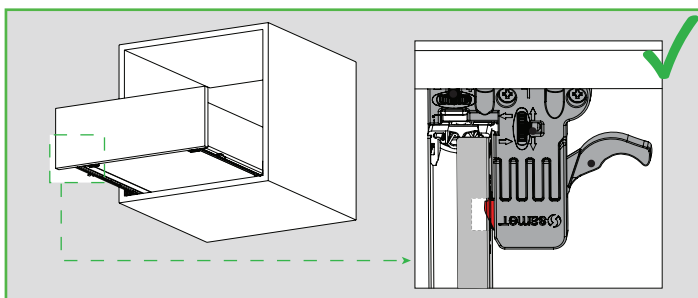


Locking mechanisms should be installed flush up against the drawer sides.

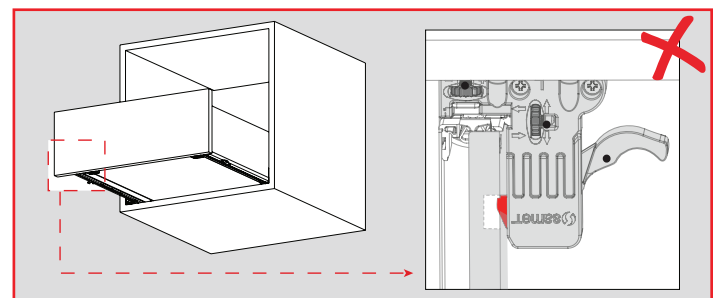


There should not be any gap between the locking mechanisms and the drawer sides.

4

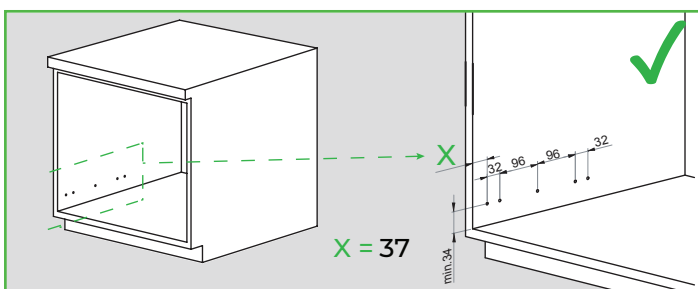


The drawer should be fully inserted to the 2nd locking notch.

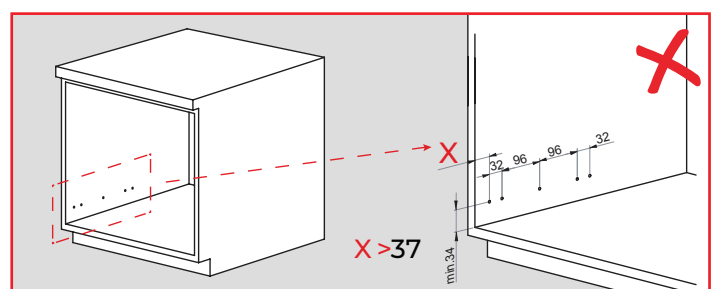


The drawer should not be fixed to the 1st stage of the locking notch.

5



Slides should be installed 37 mm back from the front edge of the cabinet for overlay applications.



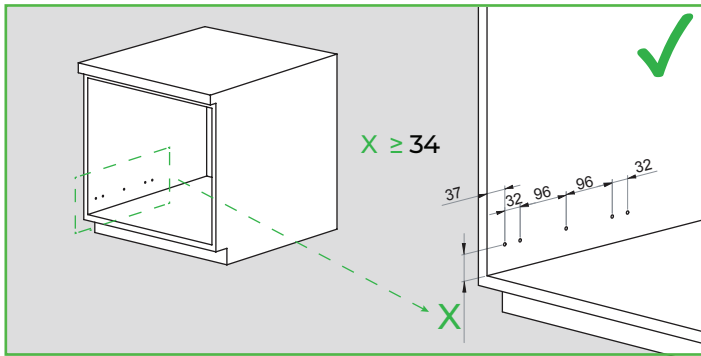
Slides should not be installed further than 37 mm away from the front edge of cabinet for overlay applications.

ULTIMADESINGLE

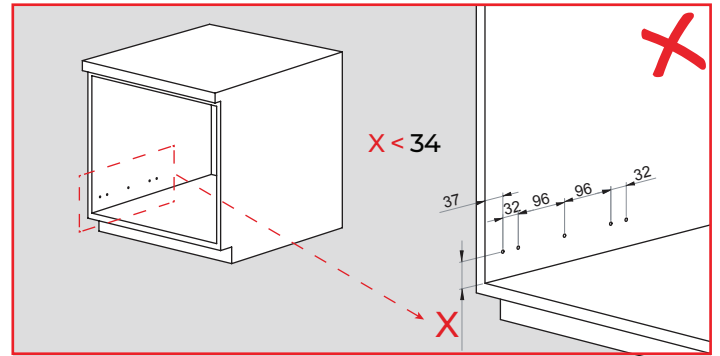
- DO - 

- DON'T - 

6

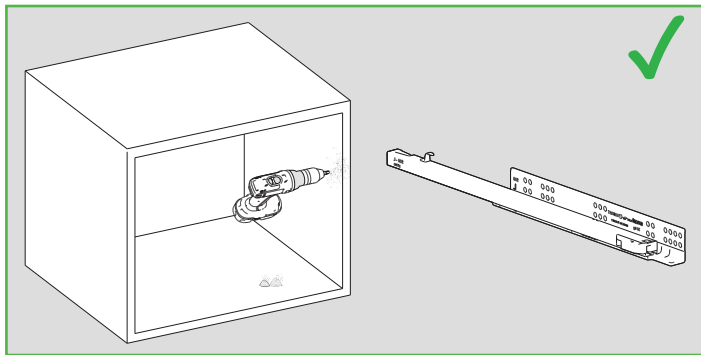


The lower drawer should be installed a minimum of 34 mm [1-20/32"] up from the cabinet bottom panel for soft close version.

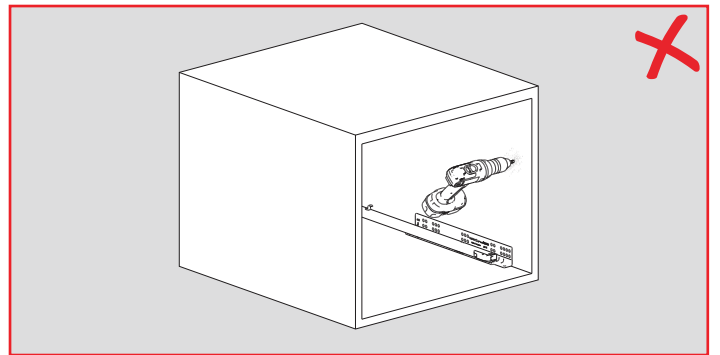


The lower drawer should not be installed lower than 34 mm [1-20/32"] up from the cabinet bottom panel for soft close version.

7



Make sure there is no sawdust or wood chips inside the slides.



There should not be any sawdust or wood chips inside the slides.