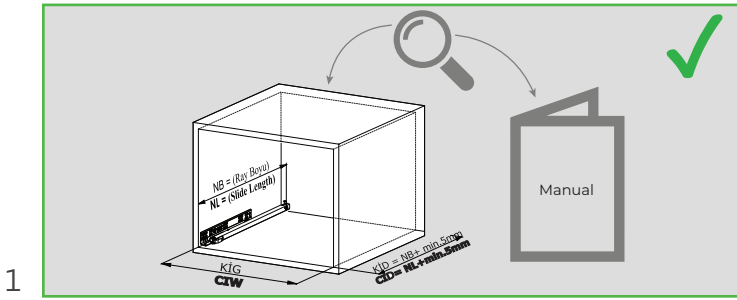


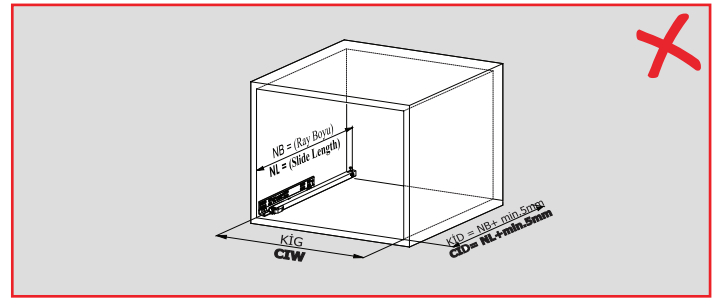
# SMARTSINGLE

- DO - 

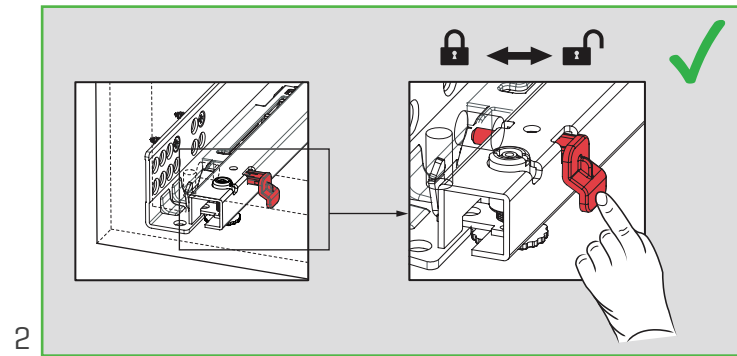
- DON'T - 



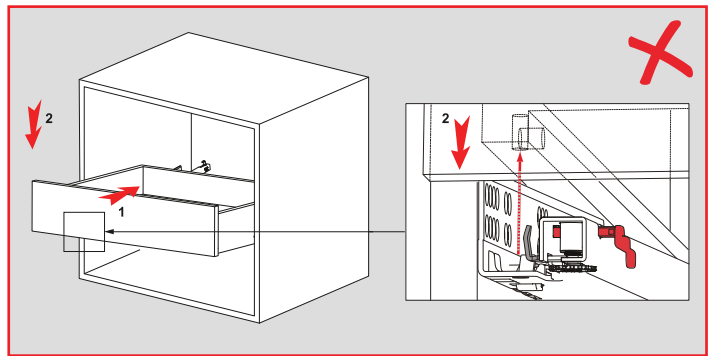
Refer to the Smart Slide Single User Manual for specific information regarding Slidea drawer dimensions.



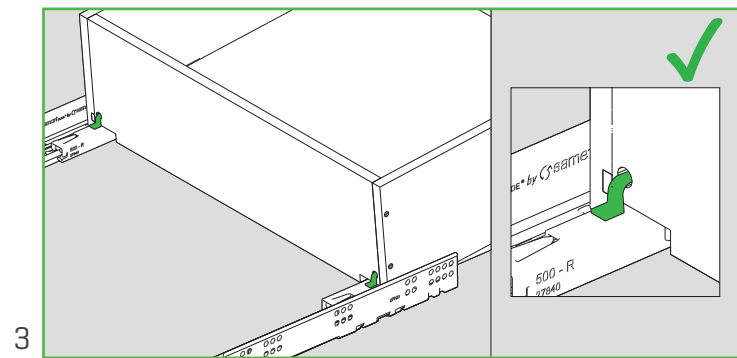
Drawer dimensions should not be altered from what is written in the Smart Slide Single User Manual.



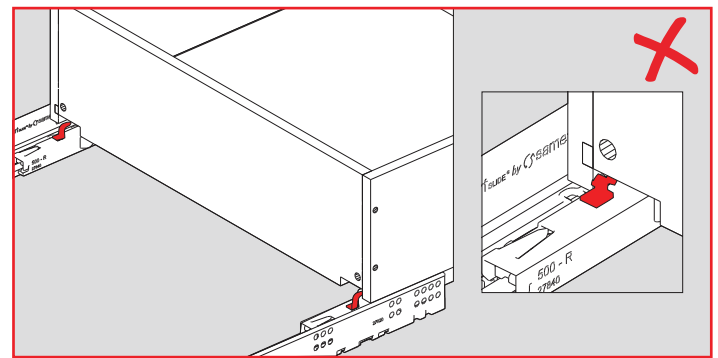
Plastic safety pin should be switched to the unlocked position before the drawer is set in place. Then the safety pin can be locked into the horizontal hole on drawer side panel.



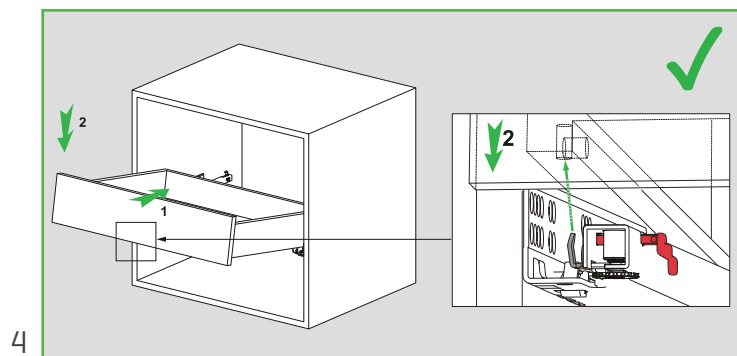
Plastic safety pin should not be in the locked position before the drawer is set in place. The safety pin should not stay in the unlocked position after the drawer is set in place.



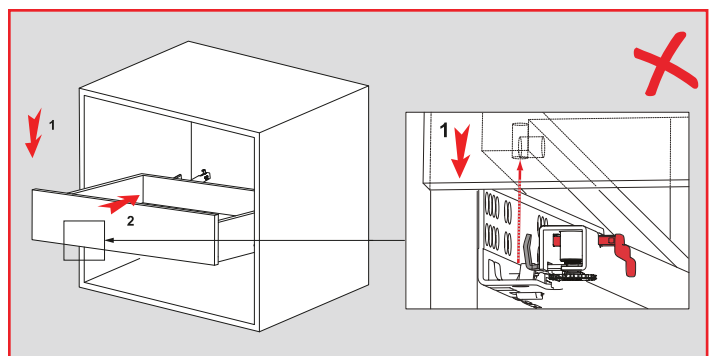
Back hook of the slide should be inserted into the drawer back gently.



Back hook of the slide should not be bent as it is inserted into the drawer back.



After inserting the back hook of the slide gently, the vertical metal pin should be fitted into the vertical hole after the drawer is laying flat on the top of the slides.

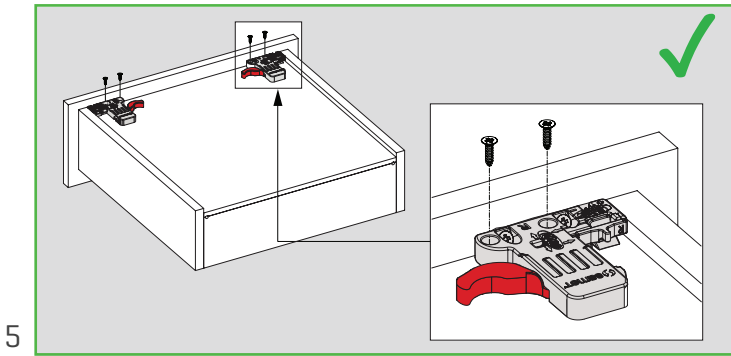


Do not insert the drawer before the back hook on the slides has been inserted, and be careful to avoid bending the vertical, metal pin with non-flat drawer angle.

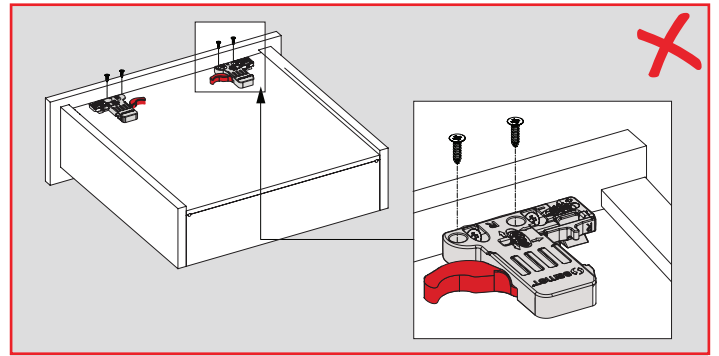
# SMARTSINGLE

- DO - 

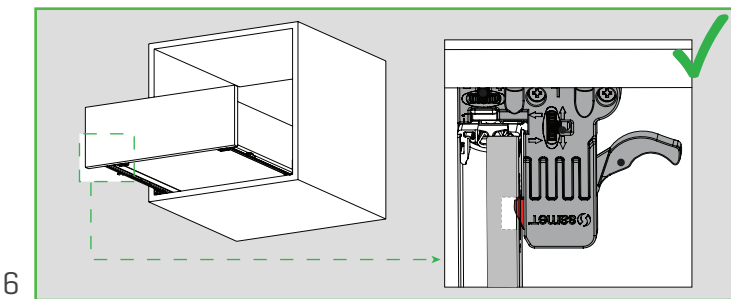
- DON'T - 



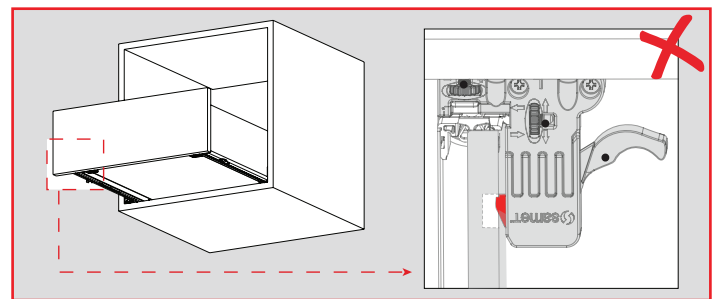
Locking mechanisms should be installed flush up against the drawer sides.



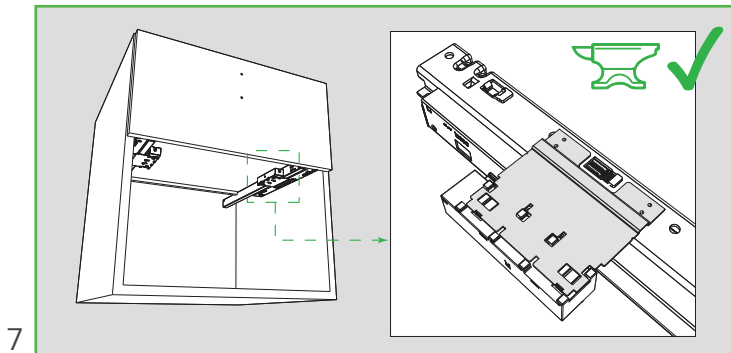
There should not be any gap between the locking mechanisms and the drawer sides.



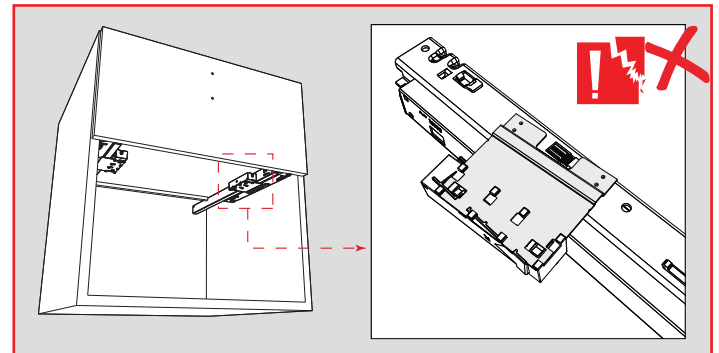
The drawer should be fully inserted to the 2nd locking notch.



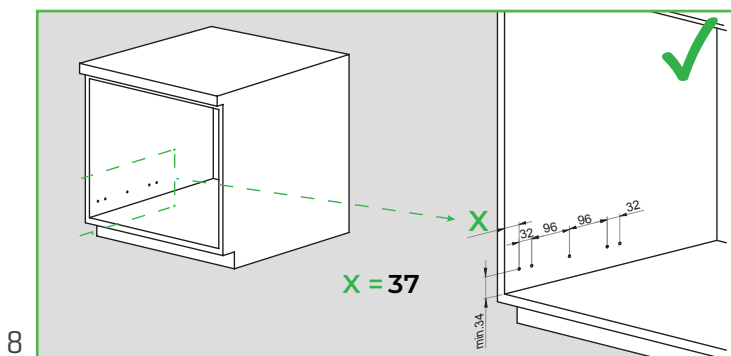
The drawer should not be fixed to the 1st stage of the locking notch.



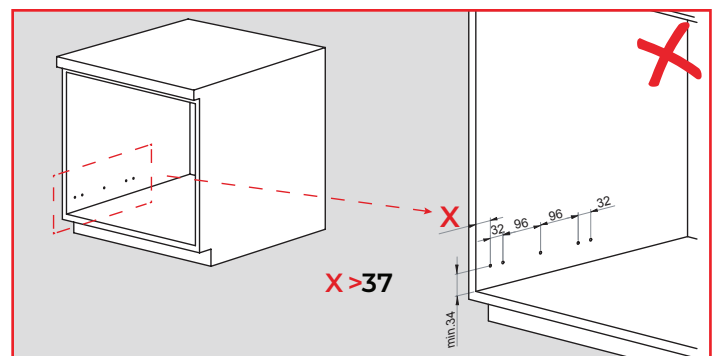
Pay close attention to welded sheet metal on Smart Slide Single push-open mechanisms.



Welded sheet metal should not be bent on Smart Slide Single push-open mechanisms.



Slides should be installed 37 mm back from the front edge of the cabinet for overlay applications.

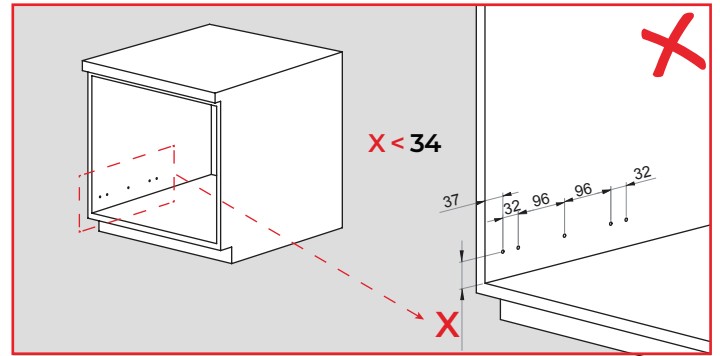
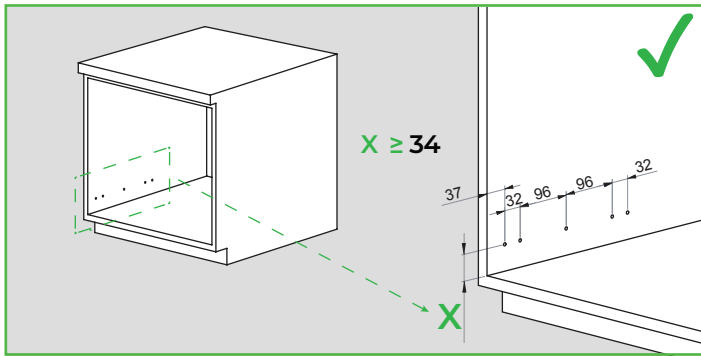


Slides should not be installed further than 37 mm away from the front edge of cabinet for overlay applications.

# SMARTSINGLE

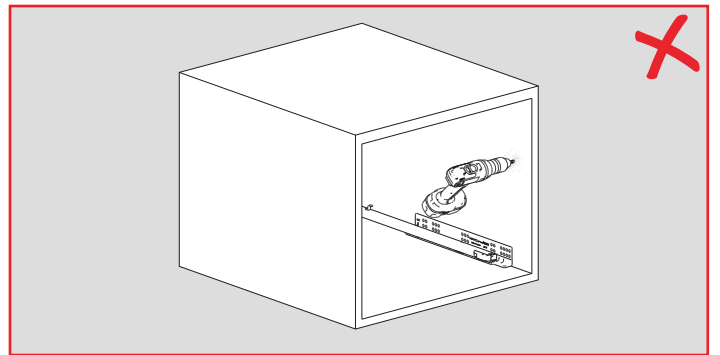
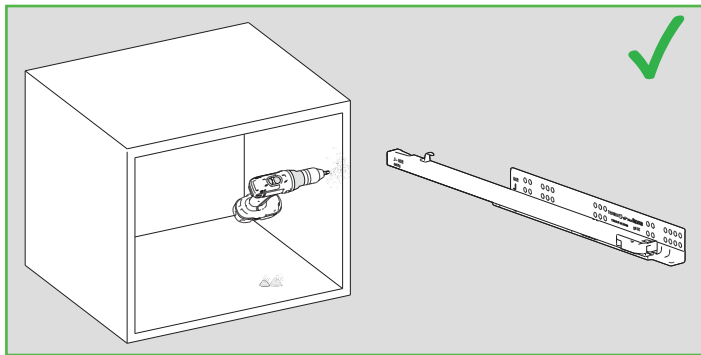
- DO - 

- DON'T - 



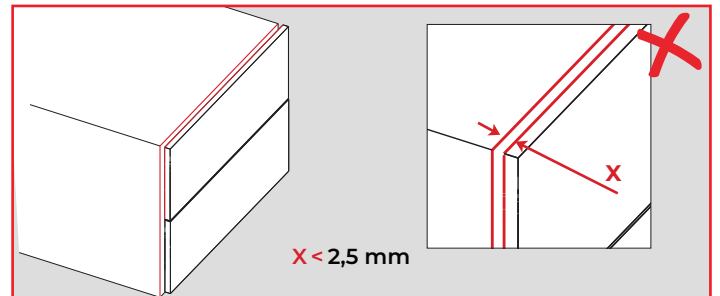
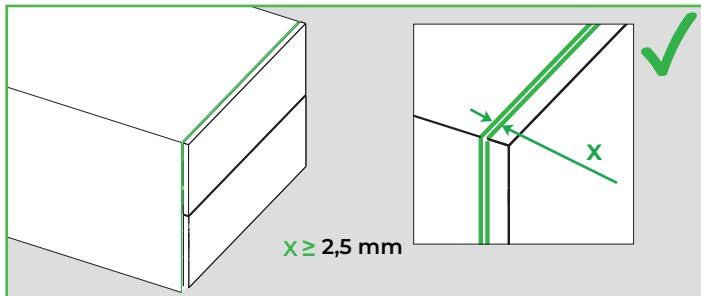
The lower drawer should be installed a minimum of 34 mm [1-20/32"] up from the cabinet bottom panel for soft close version.

The lower drawer should not be installed lower than 34 mm [1-20/32"] up from the cabinet bottom panel for soft close version.



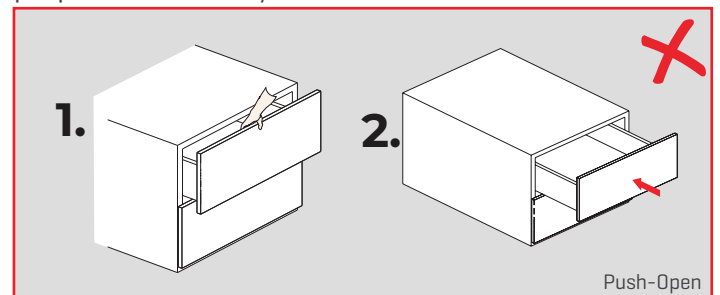
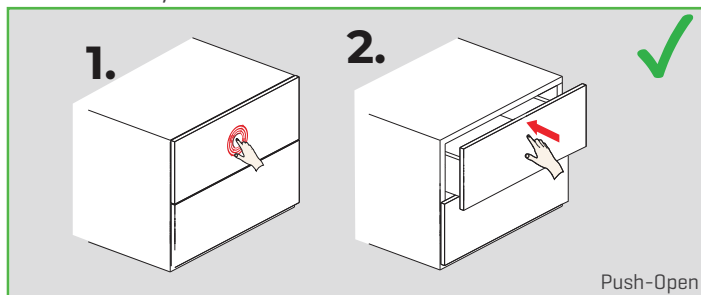
Make sure there is no sawdust or wood chips inside the slides.

There should not be any sawdust or wood chips inside the slides.



Drawer front gap should be a minimum of 2.5 mm on Smart Slide Single push-open models to ensure proper functionality.

Drawer front gap should not be less than 2.5 mm on Smart Slide Single push-open drawer models to ensure proper functionality.



1. Push on the drawer front panel of the drawer to open it.
2. To close the drawer, gently push the drawer front panel of the drawer all the way to lock the push - open mechanism.

1. Do not pull out the drawer without activating the push - open mechanism.
2. Do not slam the drawer to close by itself.