



**CIW** : Cabinet Inner Width

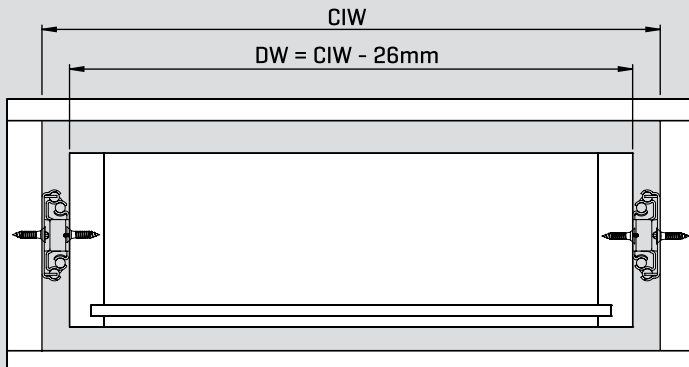
**DW** : Drawer Width

**NL** : Nominal Length

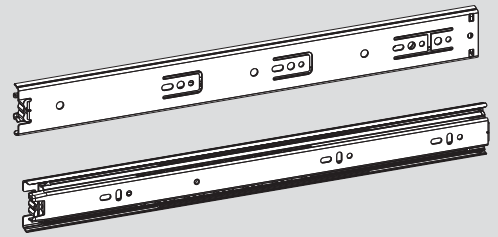
**CD** : Cabinet Depth

**DD** : Drawer Depth

## Technical Dimesions



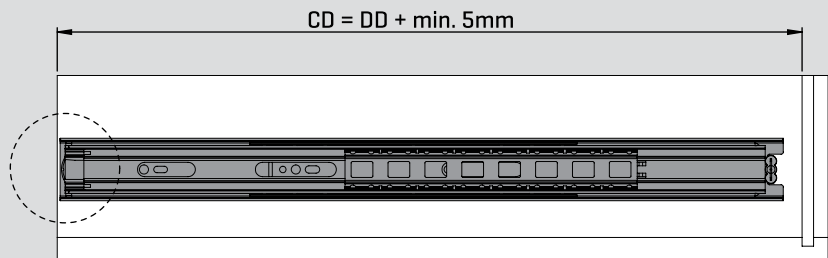
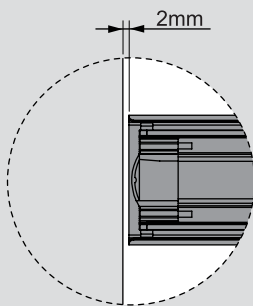
## Parts



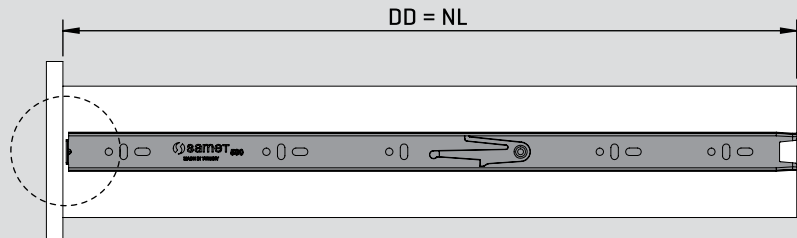
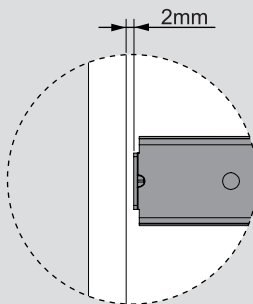
## Recommended Screw



## Cabinet Dimensions

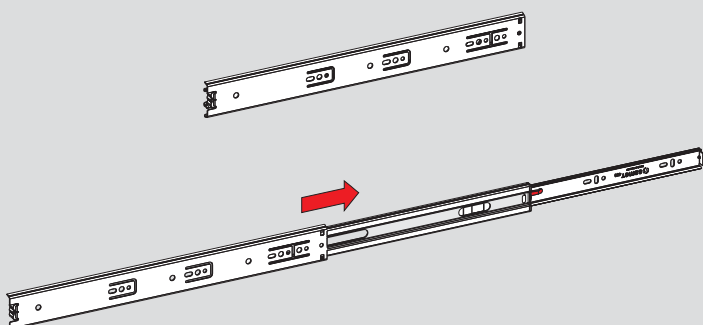


## Drawer Dimensions

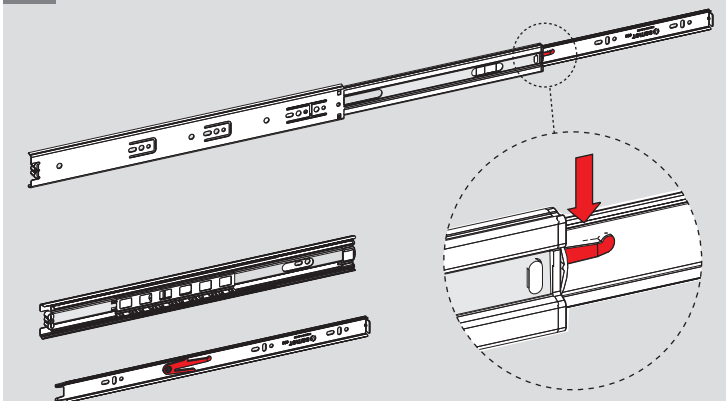


## Assembly

1



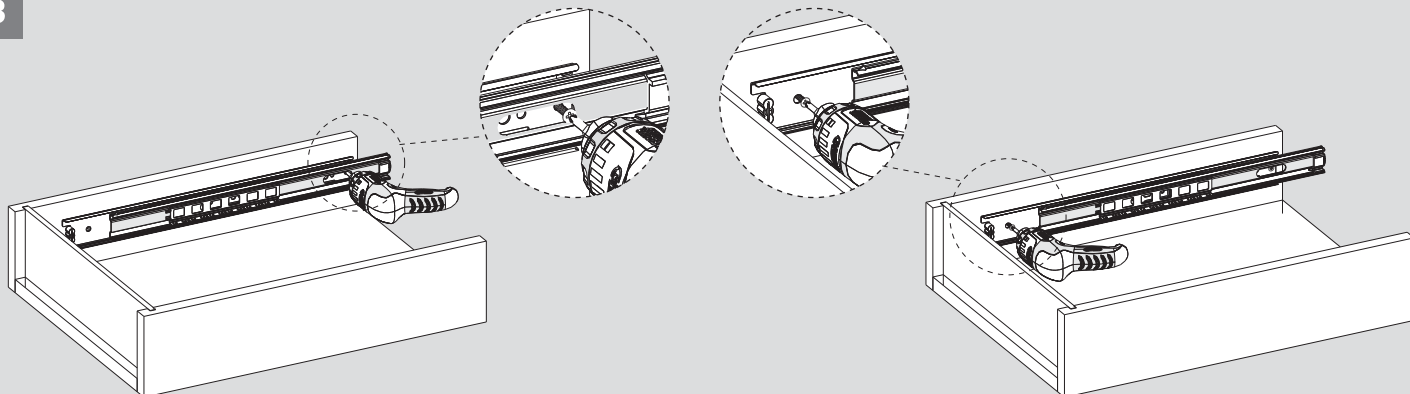
2



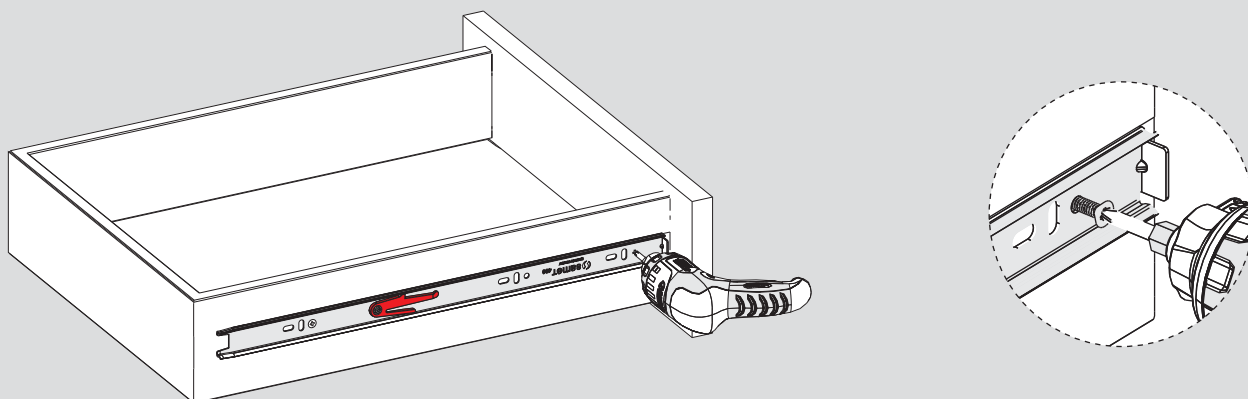


## Assembly

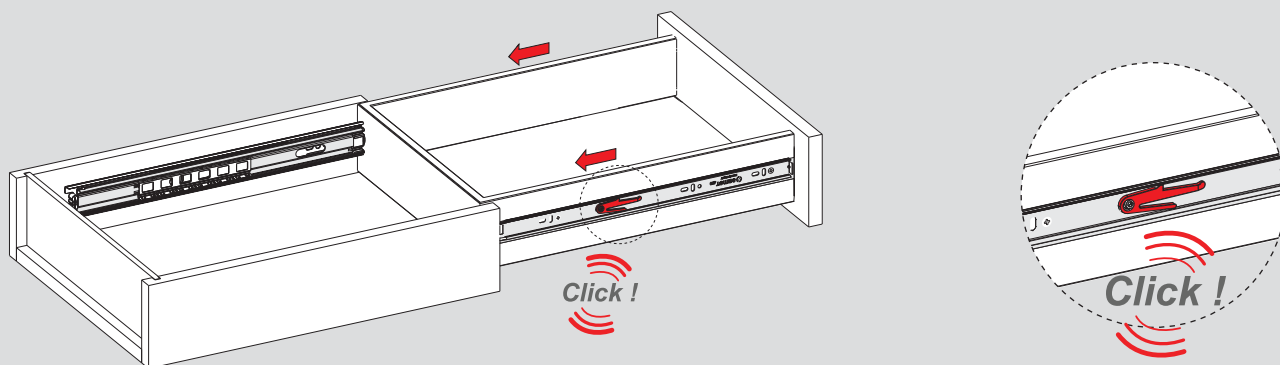
3



4



5



6

