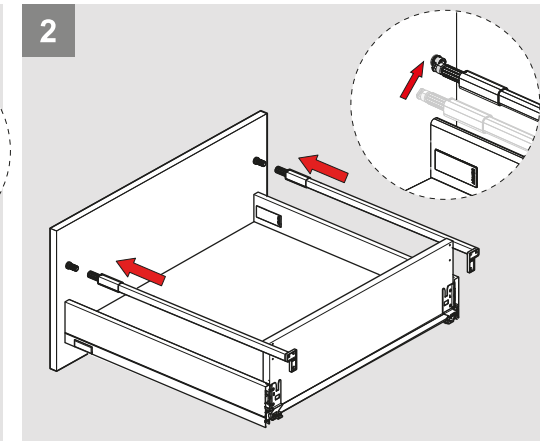
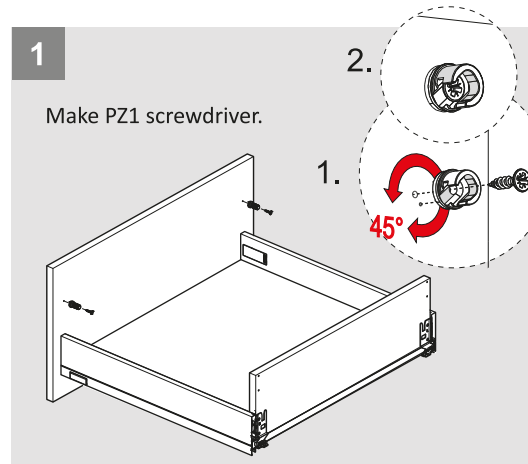
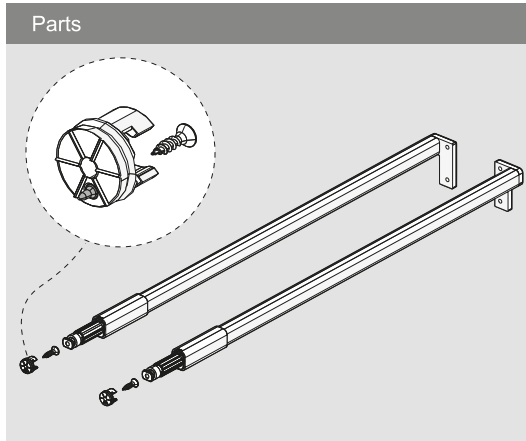
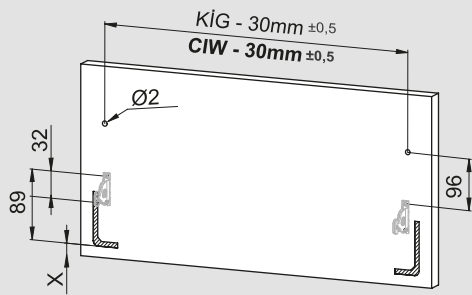


Height 58 side panel has been taken as a reference for assembly instructions.

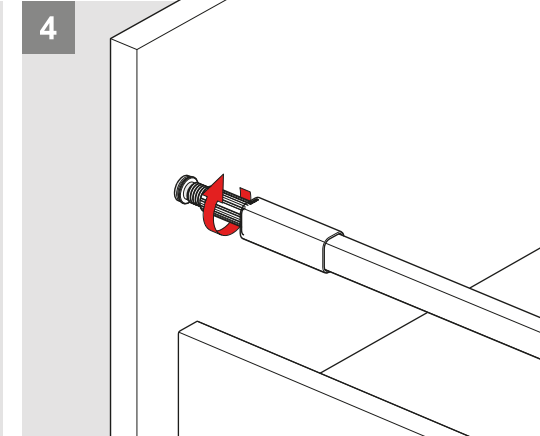
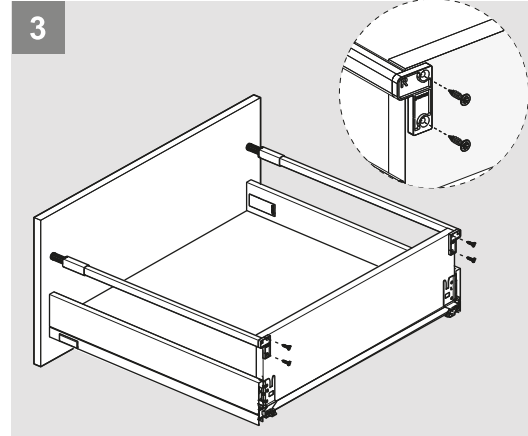
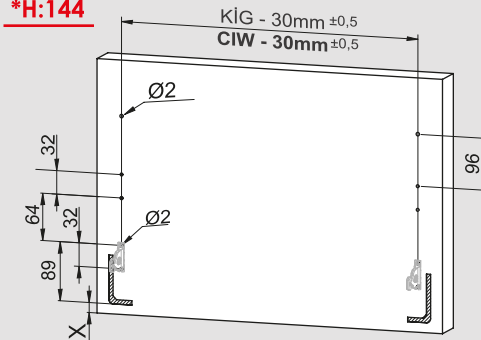


Technical Dimensions

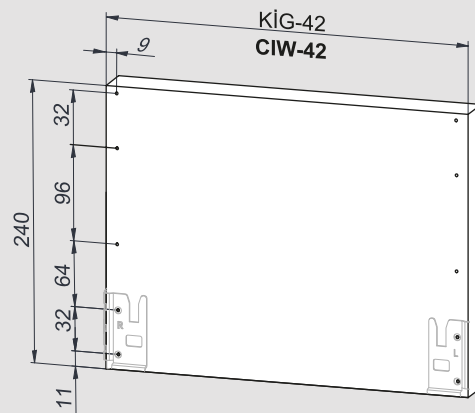
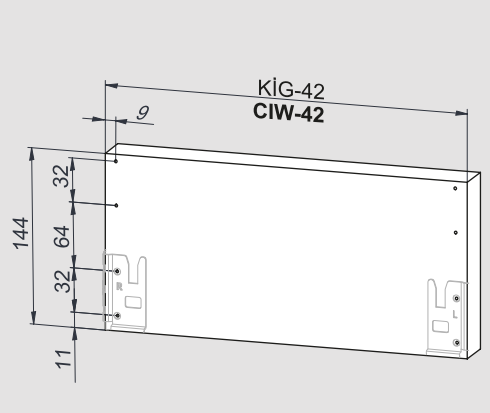
***H:58**



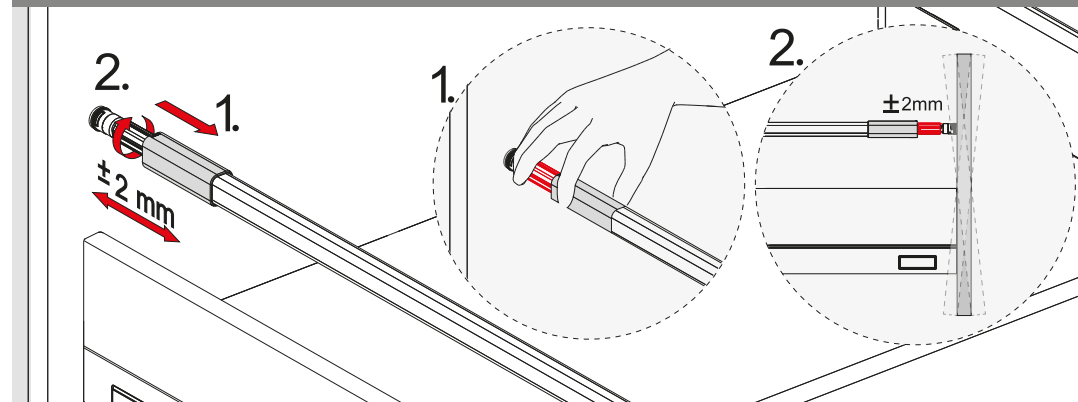
***H:144**

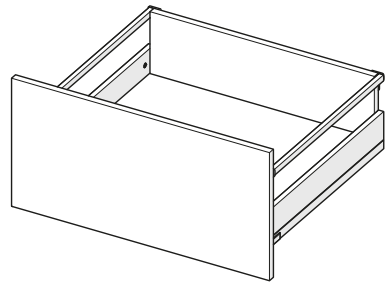


Wooden Backboard

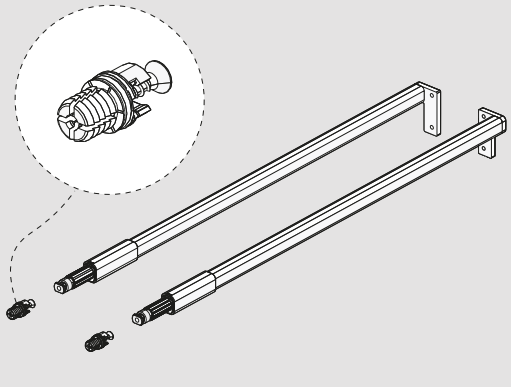


Adjustment





Parts

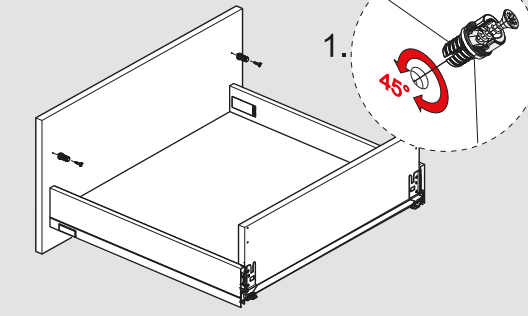


1

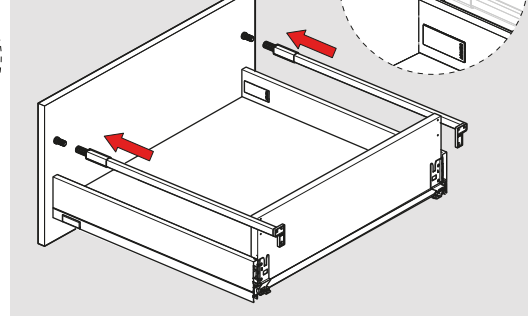
Make PZ1 screwdriver.

2.

1.



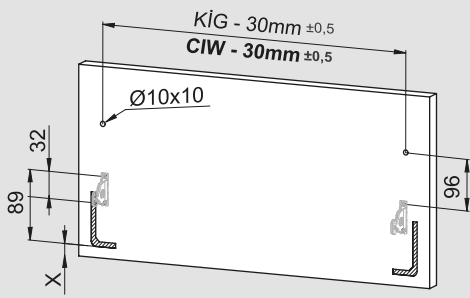
2



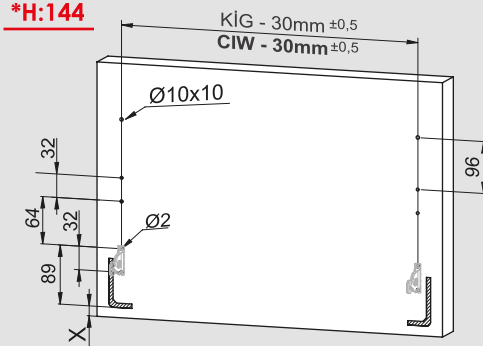
Height 58 side panel has been taken as a reference for assembly instructions.

Technical Dimensions

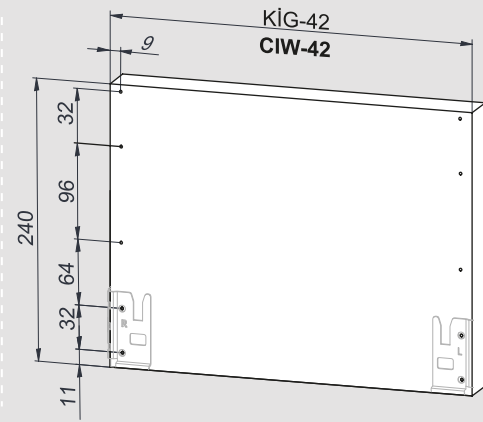
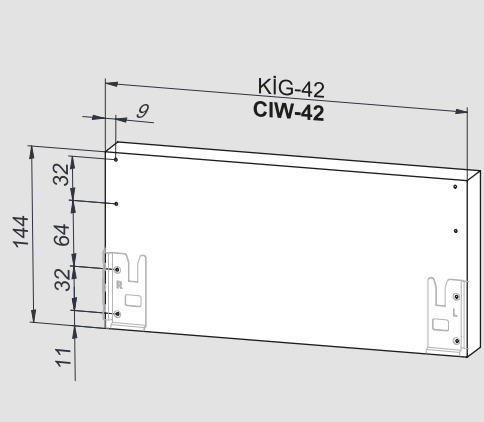
***H:58**



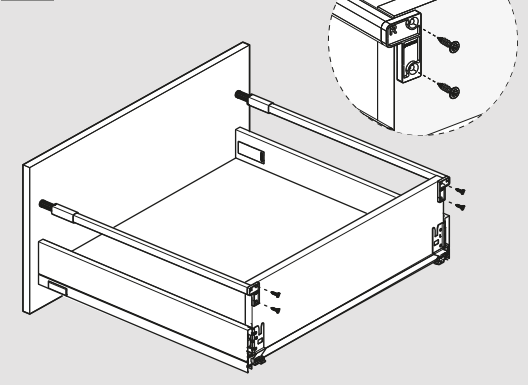
***H:144**



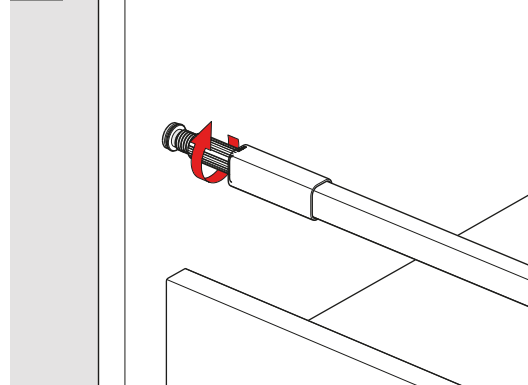
Wooden Backboard



3



4



Adjustment

