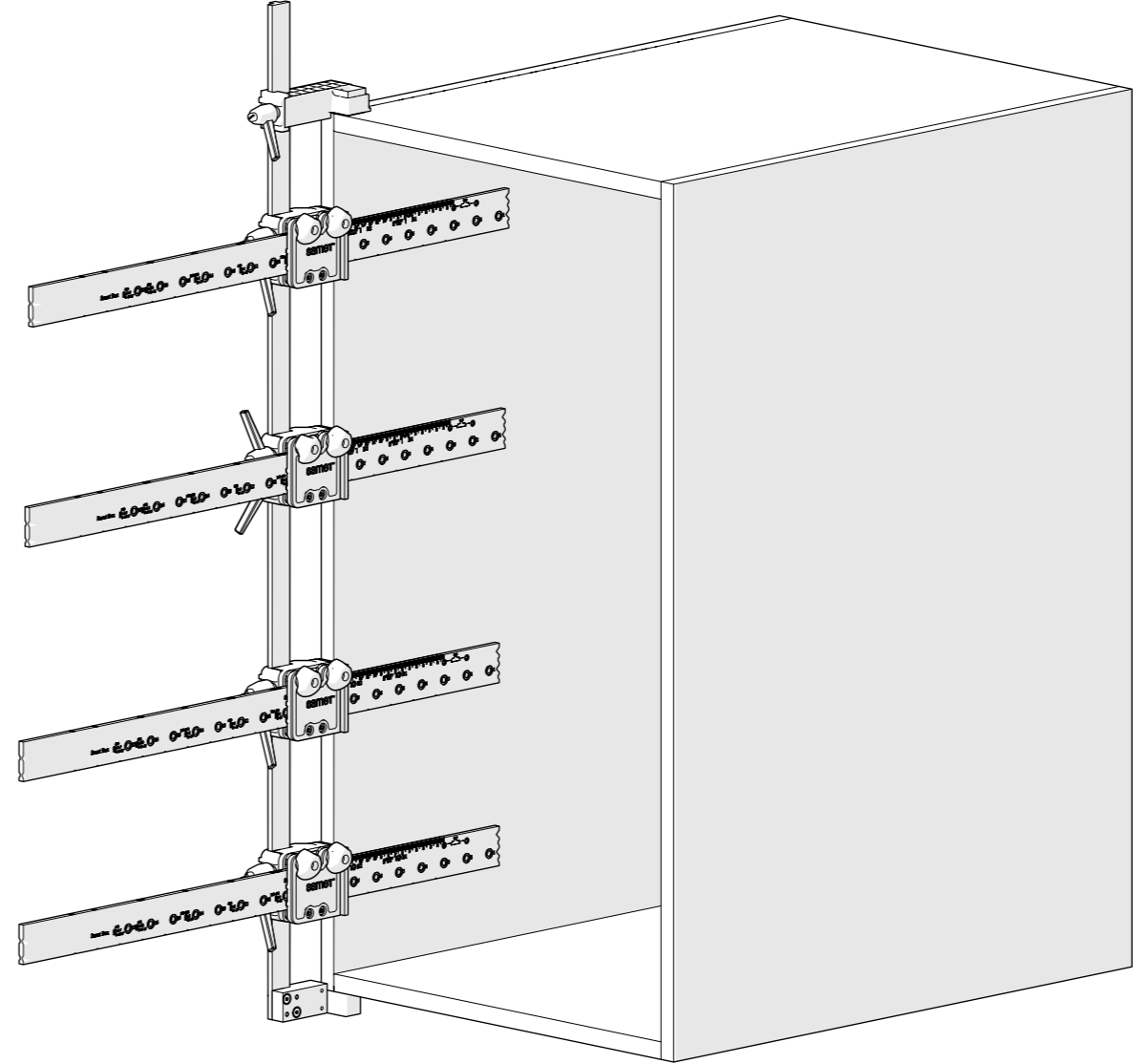


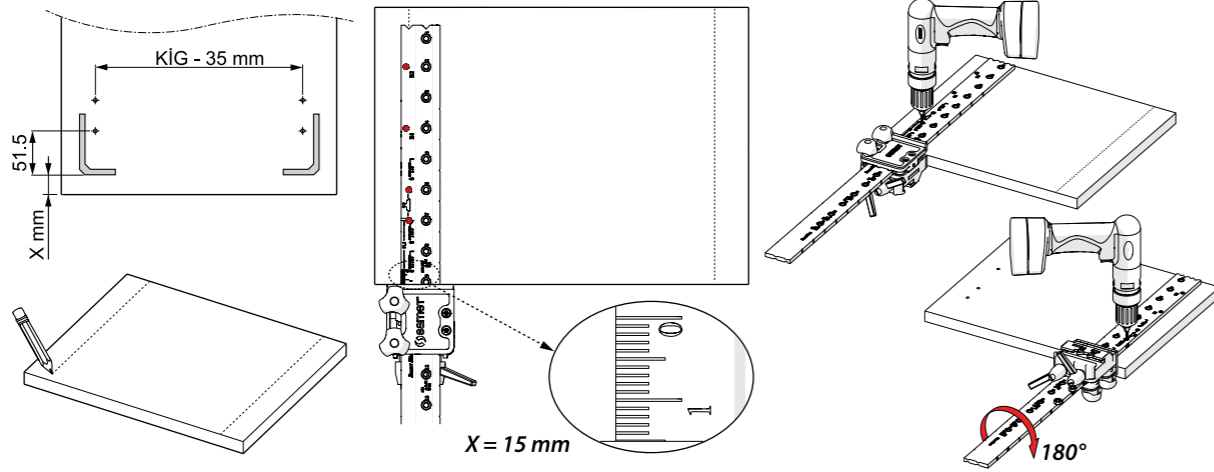
SMARTBOX	17	16	15	14	13	12	11	10	9	8	7	6	5	4	3	2	1
270, 300	●	●	●	●	●	●	●	●	●	●	●	●	●	●	●	●	●
350, 400	●	●	●	●	●	●	●	●	●	●	●	●	●	●	●	●	●
450	●	●	●	●	●	●	●	●	●	●	●	●	●	●	●	●	●
500, 550	●	●	●	●	●	●	●	●	●	●	●	●	●	●	●	●	●
600	●	●	●	●	●	●	●	●	●	●	●	●	●	●	●	●	●
650	●	●	●	●	●	●	●	●	●	●	●	●	●	●	●	●	●

smart slide	17	16	15	14	13	12	11	10	9	8	7	6	5	4	3	2	1
S 250, 300	●	●	●	●	●	●	●	●	●	●	●	●	●	●	●	●	●
S 350, 400	●	●	●	●	●	●	●	●	●	●	●	●	●	●	●	●	●
S 450, 500	●	●	●	●	●	●	●	●	●	●	●	●	●	●	●	●	●
S 550, 600	●	●	●	●	●	●	●	●	●	●	●	●	●	●	●	●	●

SMARTBOX smart slide slidea

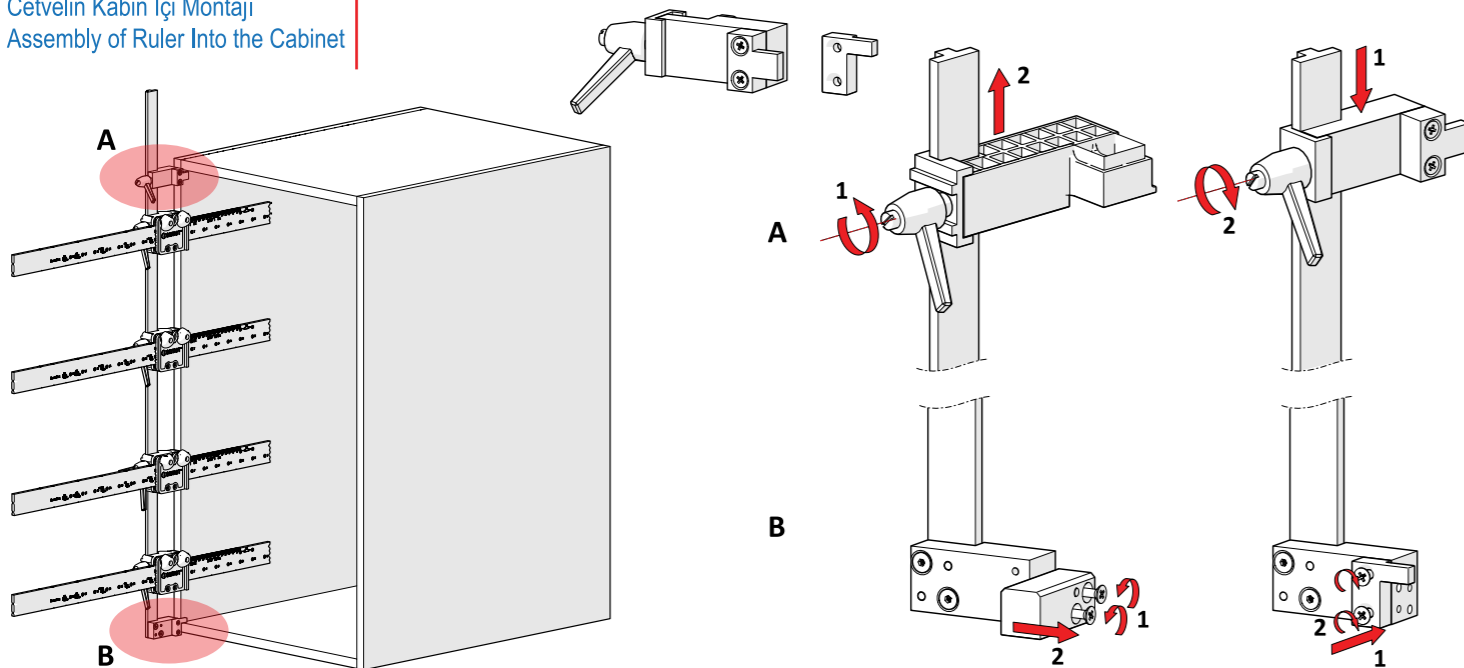


Ön Panel Delik Delme Drilling of Front Panel



Örnek
Example X = 15 mm

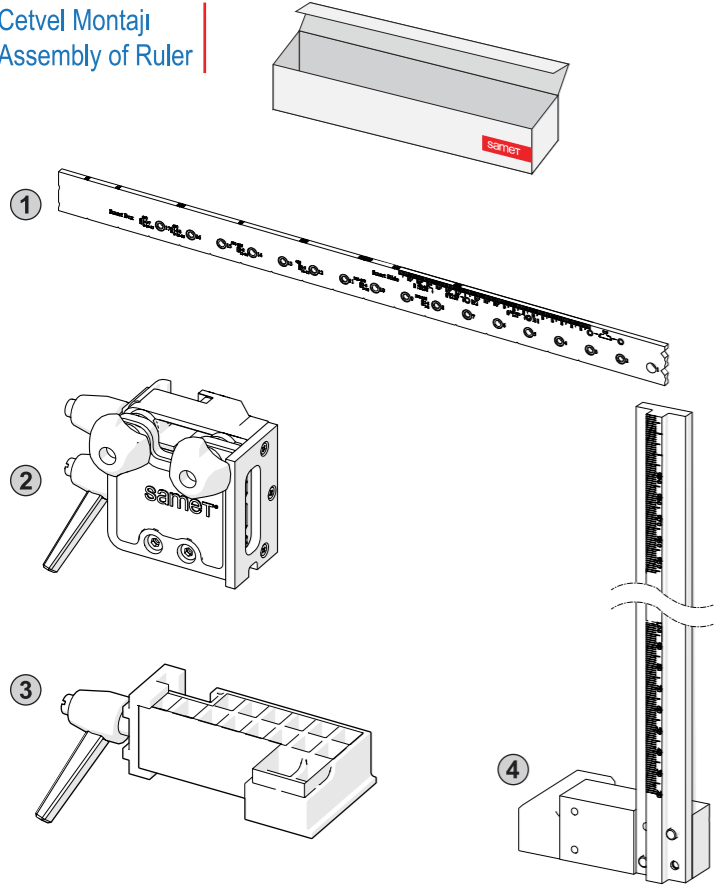
Cetvelin Kabin İçi Montajı Assembly of Ruler Into the Cabinet



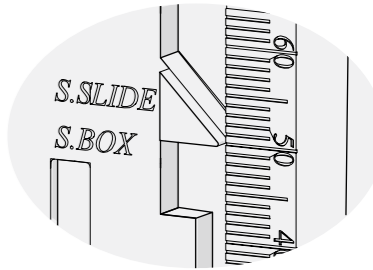
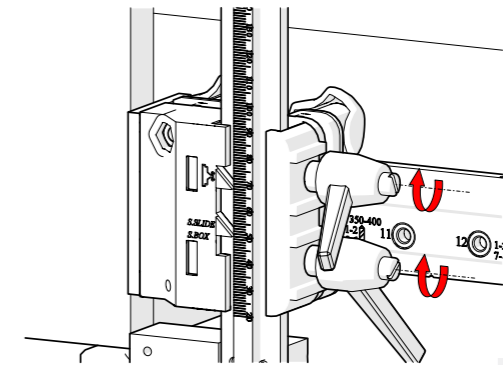
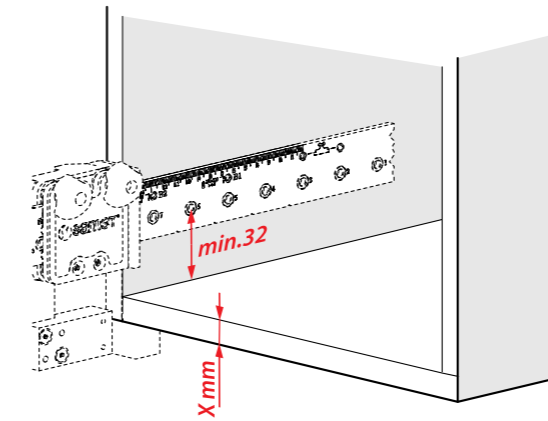
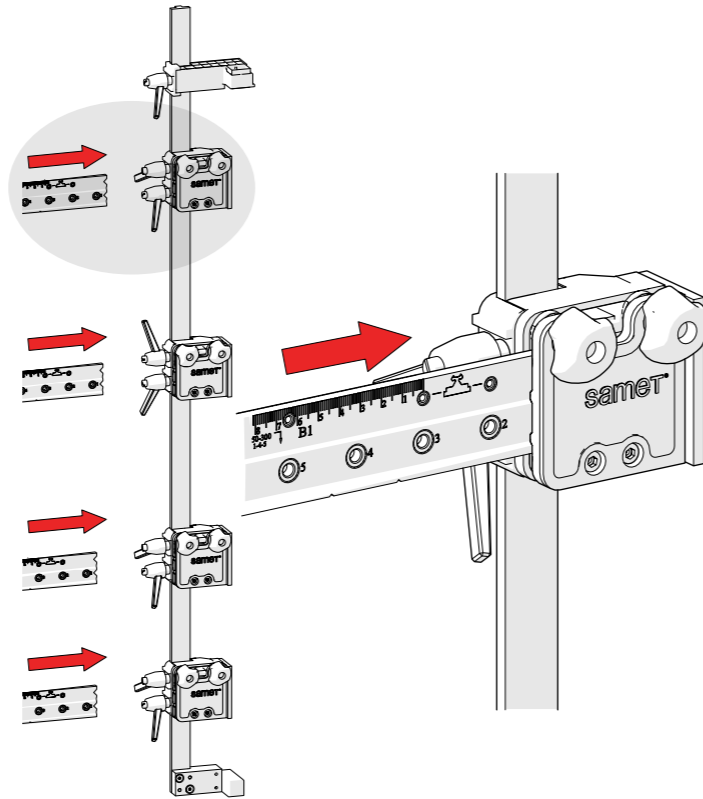
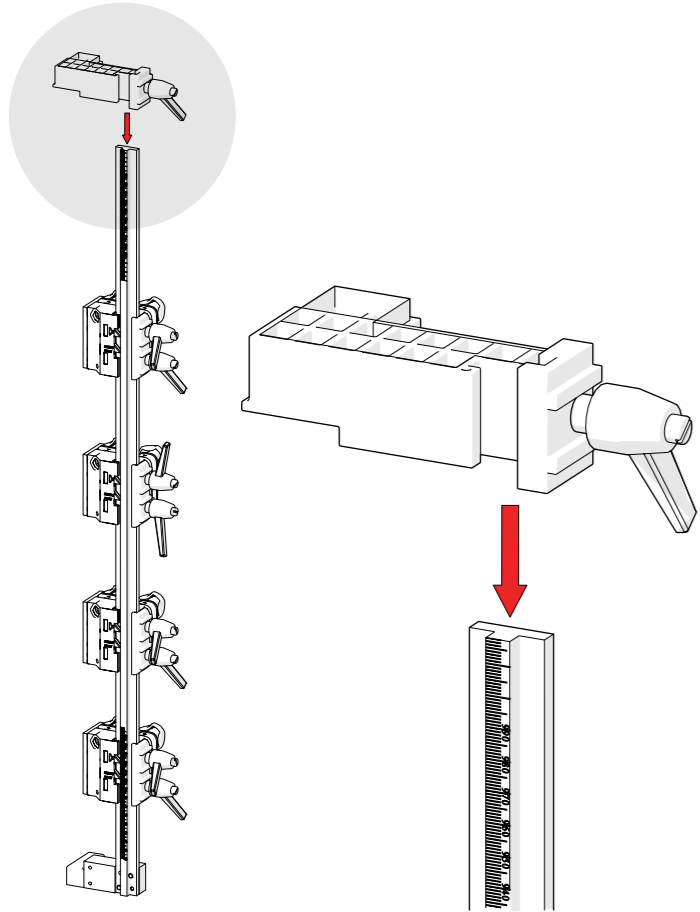
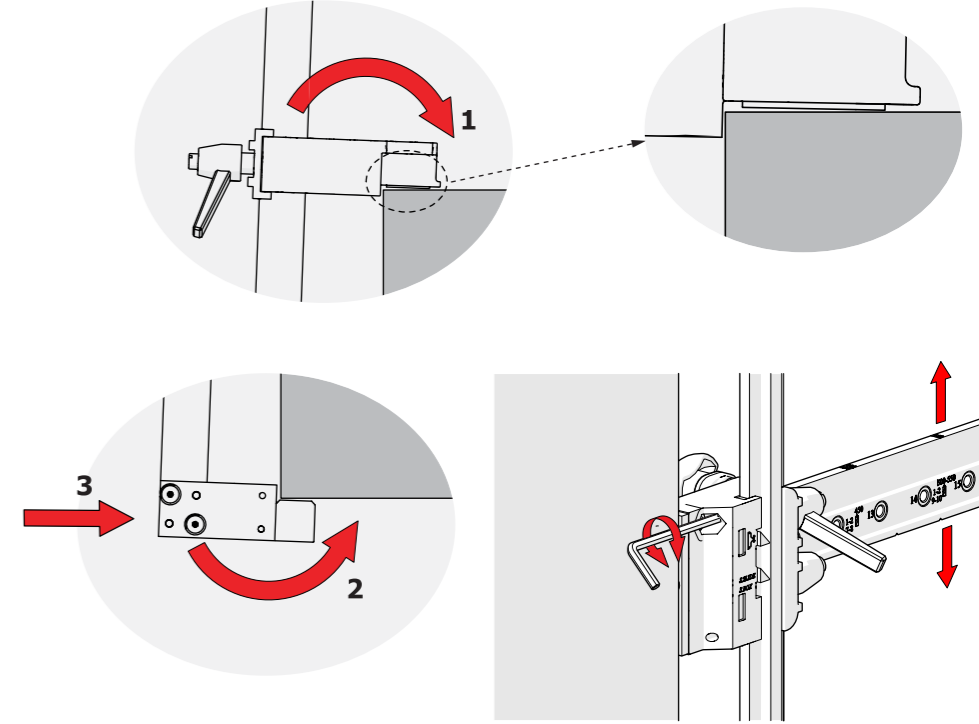
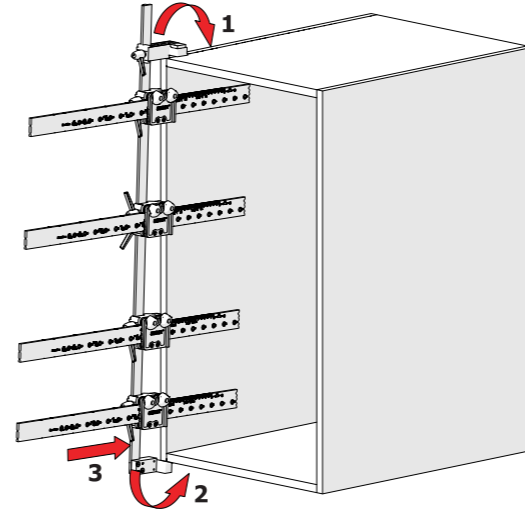
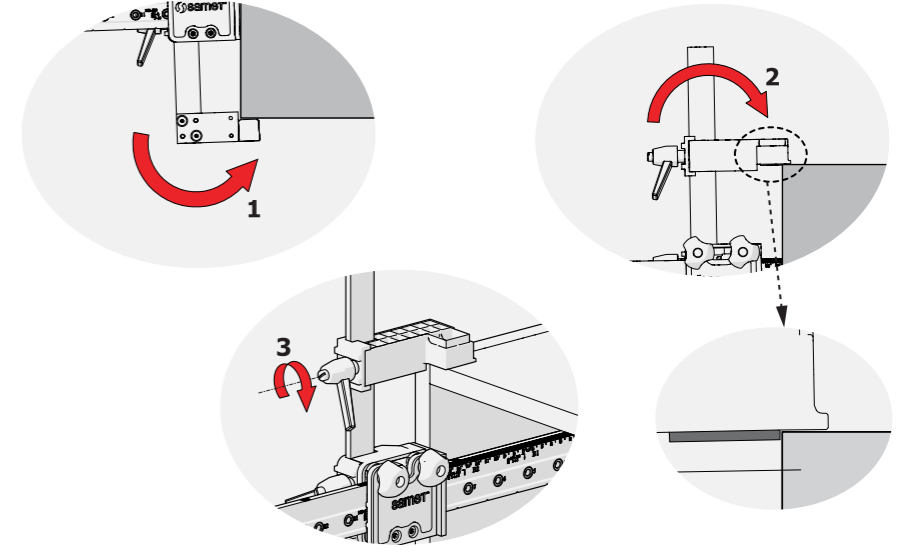
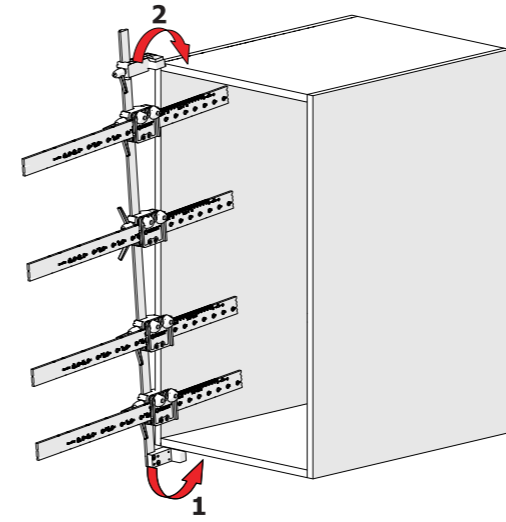
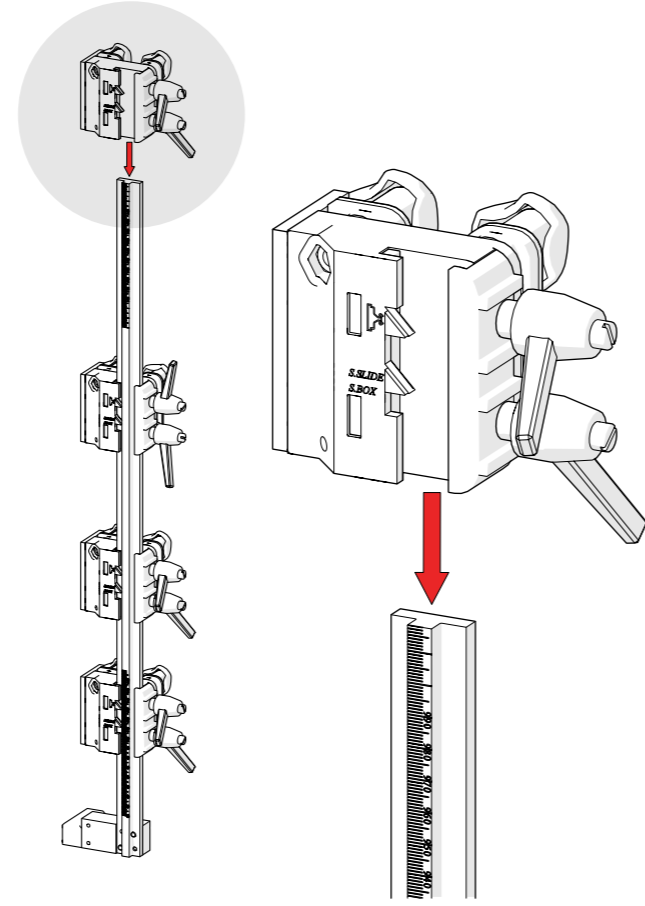
CETVEL MONTAJI - RULER ASSEMBLY 2

CETVELİ POZİSYONLAMA VE AYARI - RULER POSITIONING AND ADJUSTMENT 3

DELİK DELME VE KABİN İÇİ UYGULAMASI - HOLE DRILLING AND APPLICATION IN CABINET 4



- 1 Delik Şablonu / Drilling Jig
- 2 Ayar ve Sabitleme Parçası / Adjustment and Fixing Part
- 3 Sabitleme Parçası / Fixing Part
- 4 Cetvel / Ruler



Örnek
Example X = 18 mm
32 mm + 18 mm = 50 mm