

SMARTFULLFIT

American Drawer Systems



samet

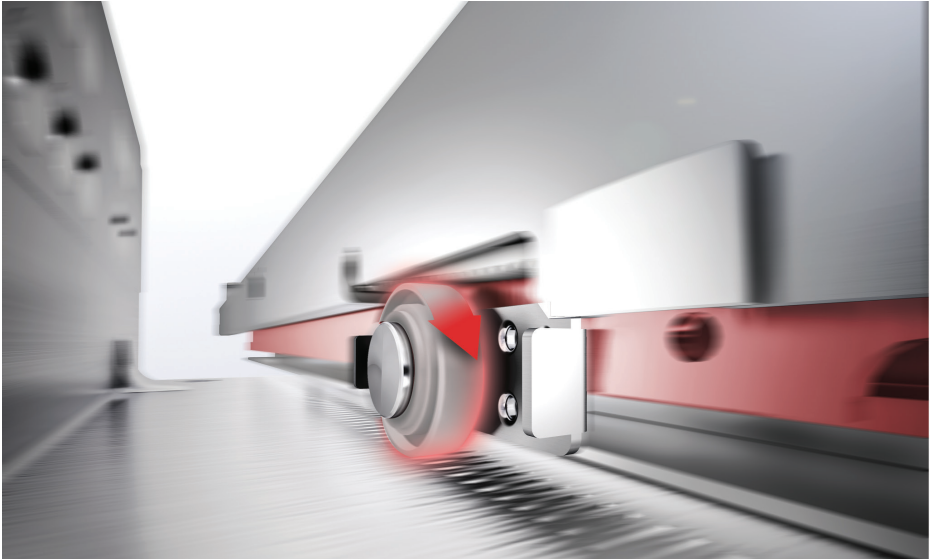
Smart Slide Full Fit Full Extension Undermount Slides

Innovative design meets high expectations. Either you build a kitchen or bathroom, or a dovetail drawer for your wardrobe; Smart Slide Full Fit offers you a wide range of possibilities.

Smart Slide full fit was engineered by SAMET to be unique for both face frame and frameless applications. Thanks to new adaptive soft close technology, drawers can be closed softly with same smooth closing effect even if you change the load inside the drawer. 2D Locking mechanism ensures fast, easy and safety installations. Inspire your designs with more value-added solutions!

Full Extension Soft Close with Adaptive Damping





Synchronization for smart motion

Smart Slide Full Fit is engineered to be functional for any drawers. Smart Slide full extension allows you freedom in furniture design such as Day & Night furniture's, bathroom cabinet and also kitchen applications.

Due to special production method with low tolerances, Smart Slide full fit I POWER operates smooth and effortlessly all the time. Nonstop Synchronization, provided by silicone wheel, ensures smooth and silent running action with lifetime durability.



Long-lasting performance

Compatible with wide drawer size alternatives within a range of 9" to 21" lengths, this range provides various options for furniture and cabinet production.

Smart Slide Full Fit brings innovative and high-end solutions together with its superior performance.

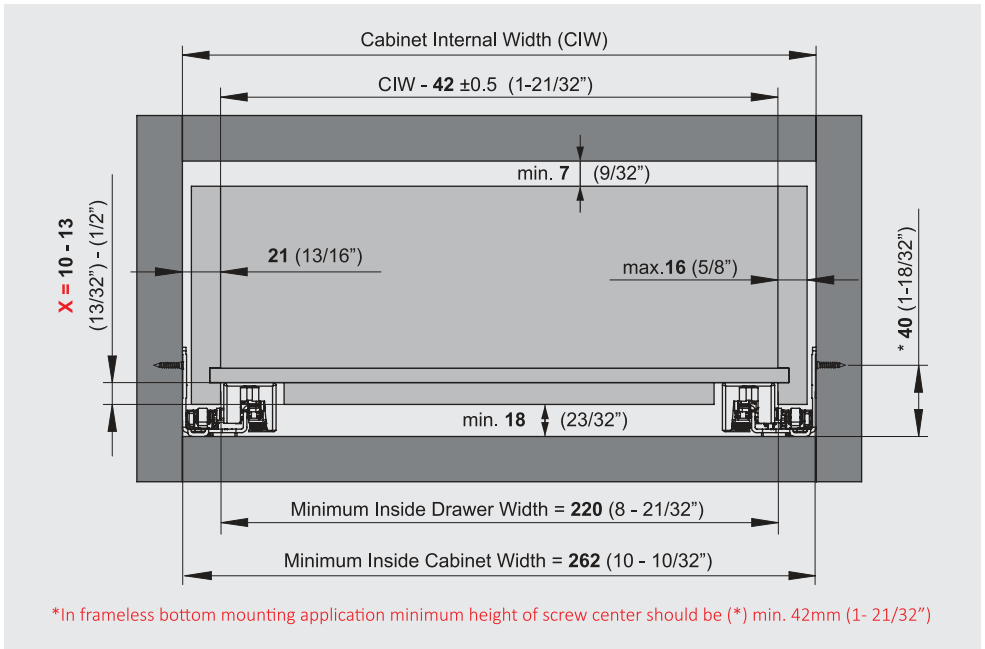
SMARTFULLFIT

Lock-Fix Mechanism

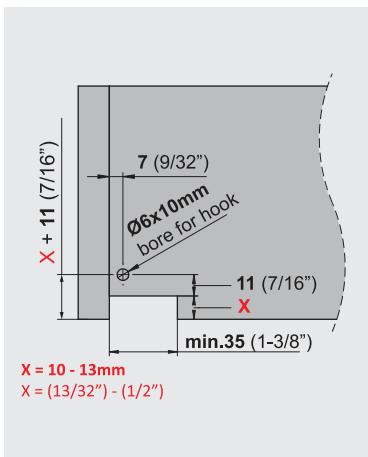
Lock-Fix mechanism was especially designed for the quick and flexible installation process of Smart Slide Full Fit Drawer System. The possibility to lock as tight as desired ensures optimal safety during drawer utilization.



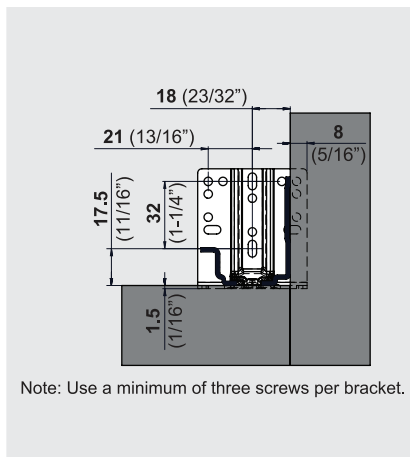
Drawer and Cabinet Dimensions



Drawer Back Preparation

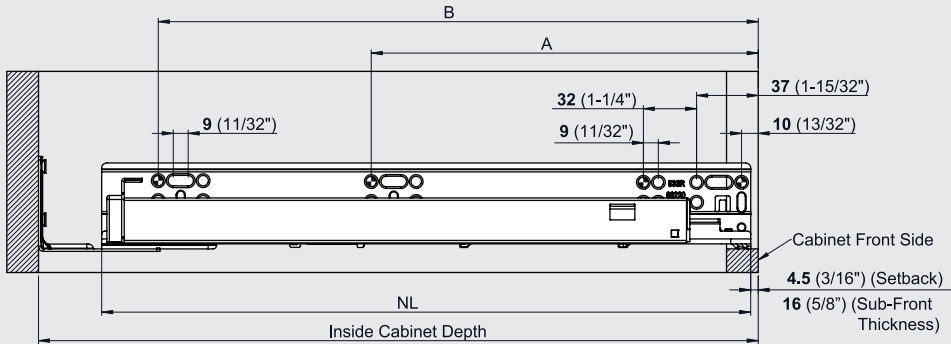


Rear Mounting Bracket



Slide Mounting Specifications

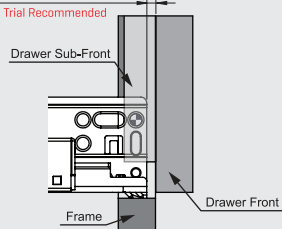
Compatible with metal rear mounting brackets.



Drawer Length	Inside cabinet depth with rear attachment		Slide Length (NL)	Screw locations for frameless cabinets	
	Max	Min		A	B
229 (9")	310 (12-7/32")	270 (10-5/8")	261 (10-9/32")	133 (5-7/32")	229 (9")
305 (12")	368 (14-1/2")	328 (12-29/32")	319 (12-9/16")	165 (6-1/2")	261 (10-9/32")
381 (15")	444 (17-1/2")	404 (15-29/32")	395 (15-9/16")	165 (6-1/2")	357 (14-1/16")
457 (18")	520 (20-1/2")	480 (18-29/32")	471 (18-17/32")	261 (10-9/32")	453 (17-27/32")
533 (21")	597 (23-1/2")	557 (21-15/16")	548 (21-9/16")	261 (10-9/32")	517 (20-3/8")

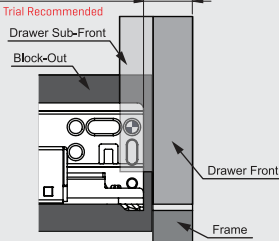
Setback Table for Standard & Inset Drawer Application

Runner Setback for Standard Drawer
(See Standard Drawer Table)

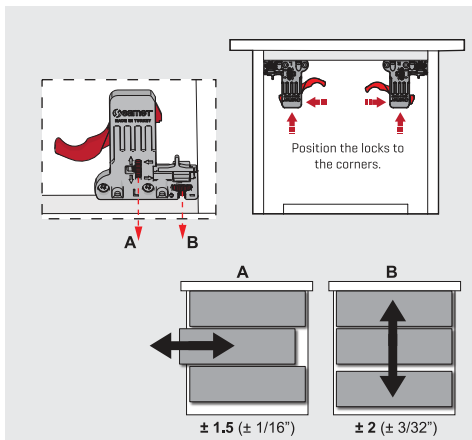
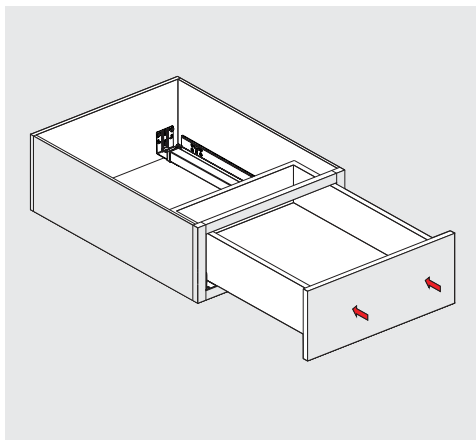
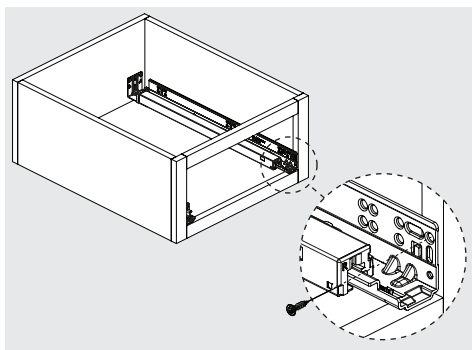
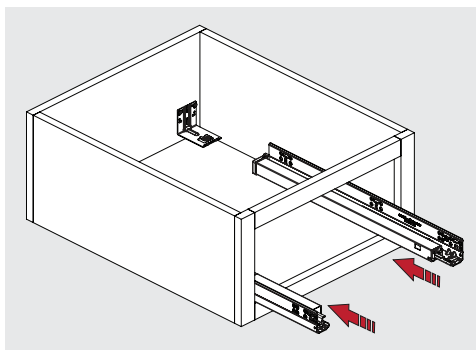
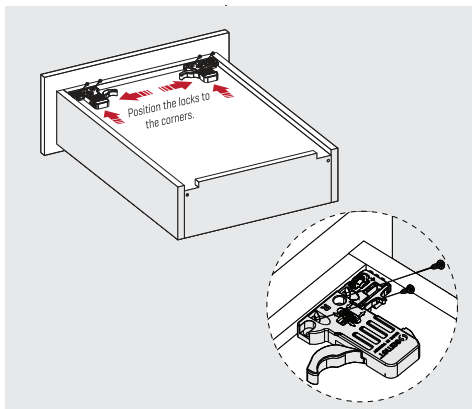
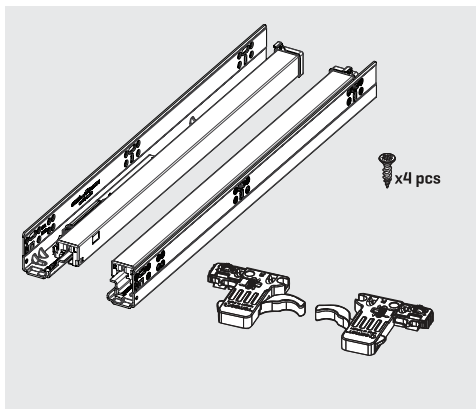


Runner Setback (Standard Drawer)		
	Setback	
Sub-Front Thickness	13 (1/2")	1.5 (1/16")
	16 (5/8")	4.5 (3/16")
	19 (3/4")	7.5 (5/16")

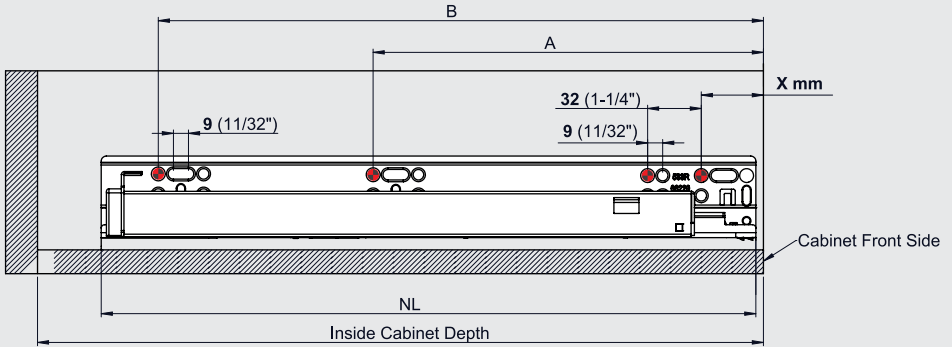
Runner Setback for Inset Drawer
(See Inset Drawer Table)



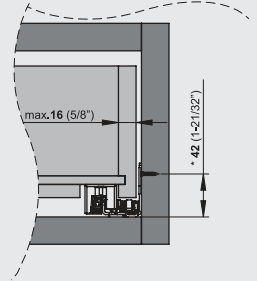
Runner Setback (Inset Drawer)				
	Setback			
Sub-Front Thickness	13 (1/2")	17.5 (11/16")	20.5 (13/16")	23.5 (15/16")
	16 (5/8")	20.5 (13/16")	23.5 (15/16")	26.5 (1-1/32")
	19 (3/4")	23.5 (15/16")	26.5 (1-1/32")	29.5 (1-5/32")
		16 (5/8")	19 (3/4")	22 (7/8")
		Drawer Front Thickness		



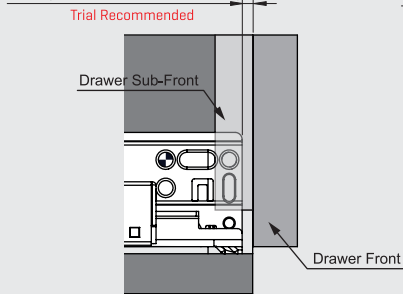
Slide Mounting Specifications



Drawer Length	Minimum Inside Cabinet Depth	Slide Length (NL)	Screw locations for frameless cabinets	
			A	B
229 (9")	270 (10-5/8")	261 (10-9/32")	133 (5-7/32")	229 (9")
305 (12")	328 (12-29/32")	319 (12-9/16")	165 (6-1/2")	261 (10-9/32")
381 (15")	404 (15-29/32")	395 (15-9/16")	165 (6-1/2")	357 (14-1/16")
457 (18")	480 (18-29/32")	471 (18-17/32")	261 (10-9/32")	453 (17-27/32")
533 (21")	557 (21-15/16")	548 (21-9/16")	261 (10-9/32")	517 (20-3/8")

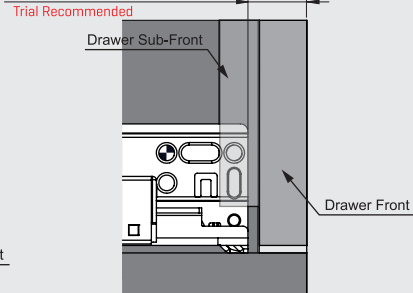


Runner Setback for Standard Drawer (See Standard Drawer Table)

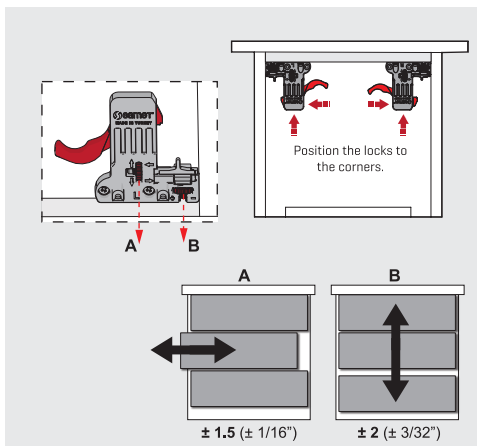
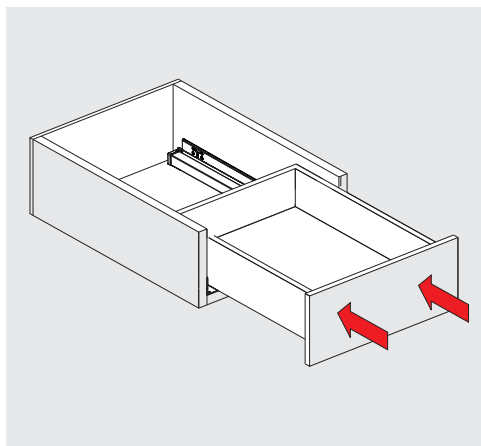
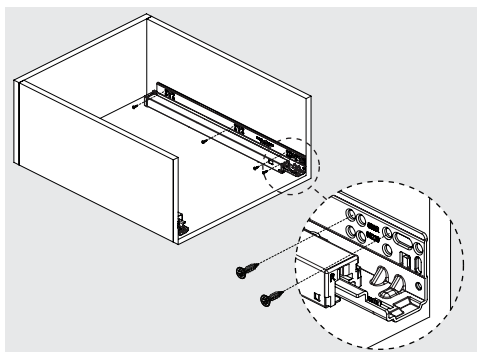
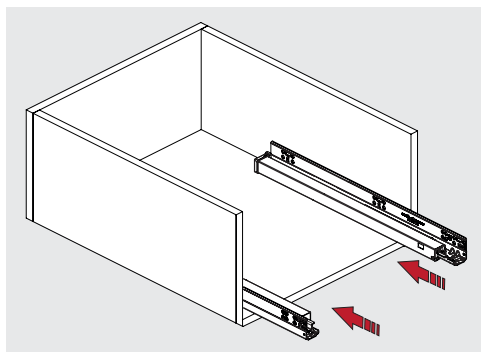
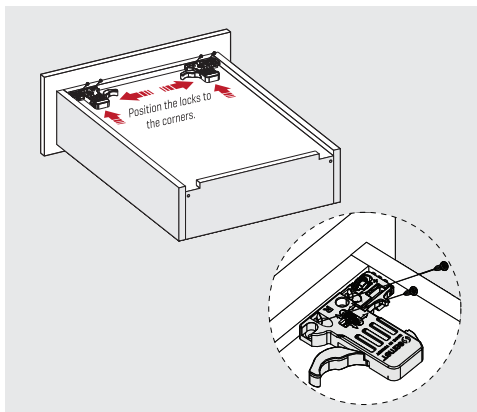
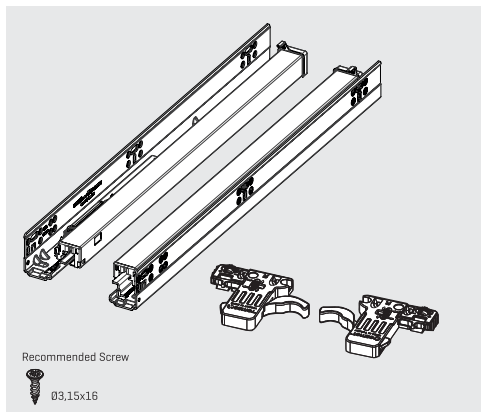


Standard Drawer		X [Drilling Position]
Sub-Front Thickness	13 (1/2")	34 (1-1/32")
	16 (5/8")	37 (1-15/32")
	19 (3/4")	40 (1-18/32")

Runner Setback for Inset Drawer (See Inset Drawer Table)



Inset Drawer			
		X [Drilling Position]	
Sub-Front Thickness	13 (1/2")	50 (1-31/32")	53 (2-3/32")
	16 (5/8")	53 (2-3/32")	56 (2-7/32")
	19 (3/4")	56 (2-7/32")	59 (2-10/32")
		16 (5/8")	19 (3/4")
Drawer Front Thickness			
		22 (7/8")	



Smart Slide Full Fit

CODE	DESCRIPTION	PACKING
127249410	Smart Slide Full Ext Soft-Close Full Fit 9"	6 Set
127249411	Smart Slide Full Ext Soft-Close Full Fit 12"	6 Set
127249412	Smart Slide Full Ext Soft-Close Full Fit 15"	6 Set
127249413	Smart Slide Full Ext Soft-Close Full Fit 18"	6 Set
127249414	Smart Slide Full Ext Soft-Close Full Fit 21"	6 Set

2-D Smart Slide Full Fit Lock Right-Left

CODE Right	CODE Left	PACKING
12790789	12790790	120 Pcs


Smart Slide Full Fit Rear Mount Bracket (Metal)

CODE	PACKING
12799924	180 Pcs

samet




www.sametglobal.com

 [sametinternational](#)

 [samet_global](#)

 [SametGroup](#)

 [Samet Kalıp ve Madeni Eşya San. ve Tic. A.Ş.](#)