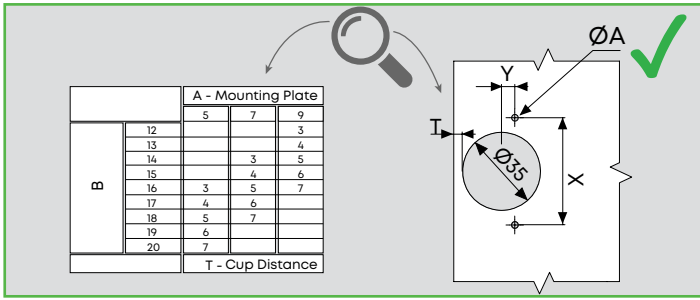
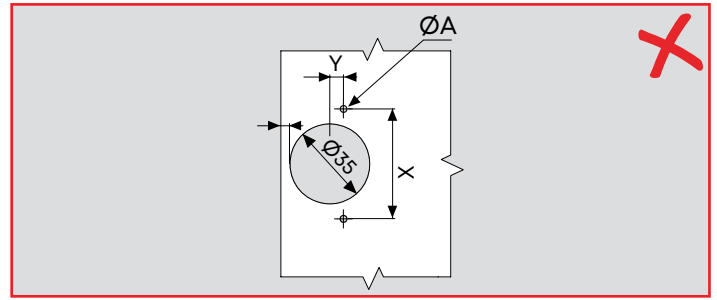


- DO - 

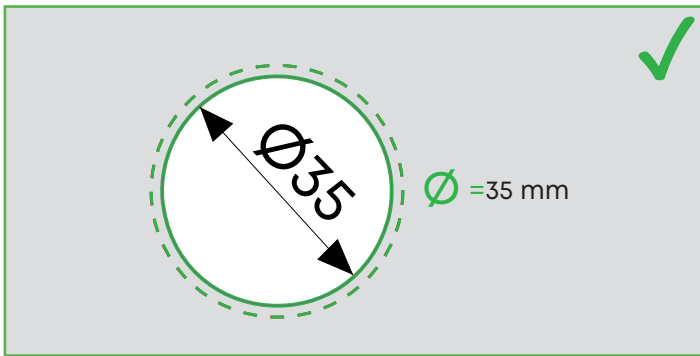
- DON'T - 



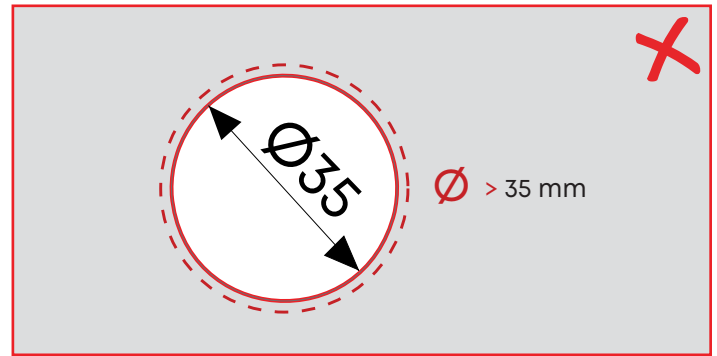
1 Please adjust the distance "T" according to the table.



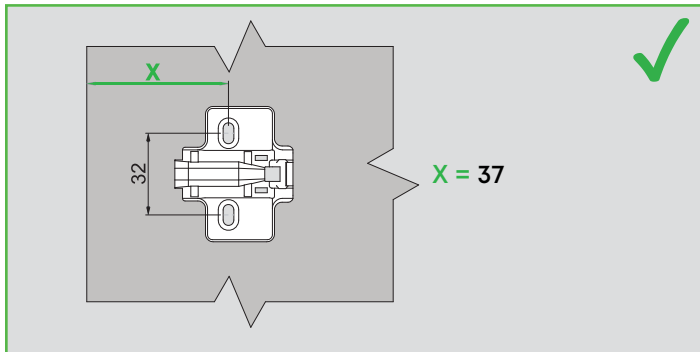
Please do not reference any other distance.



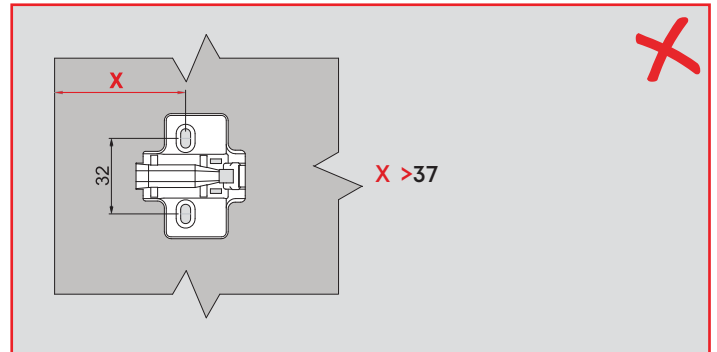
2 Cup diameter should be drilled 35 mm exactly



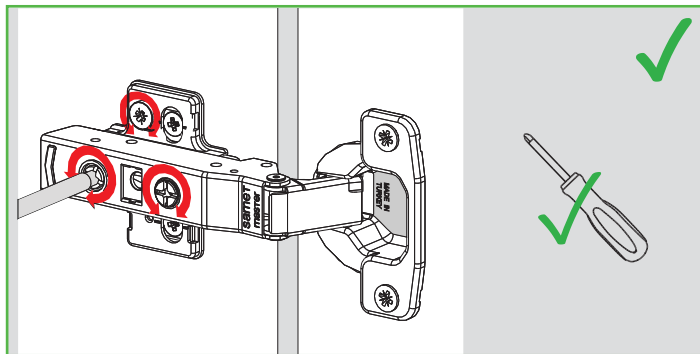
Cup diameter should not be drilled larger or smaller than 35 mm.



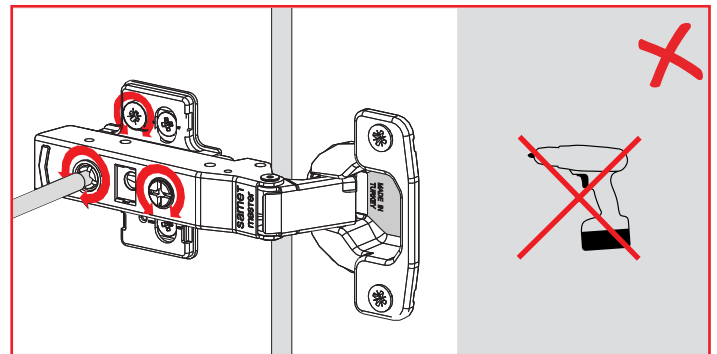
3 Distance "X" should be 37 mm from cabinet side.



Distance "X" should not be higher 37 mm from cabinet side.



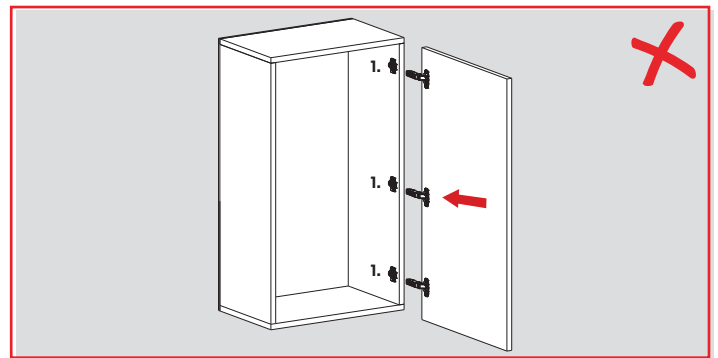
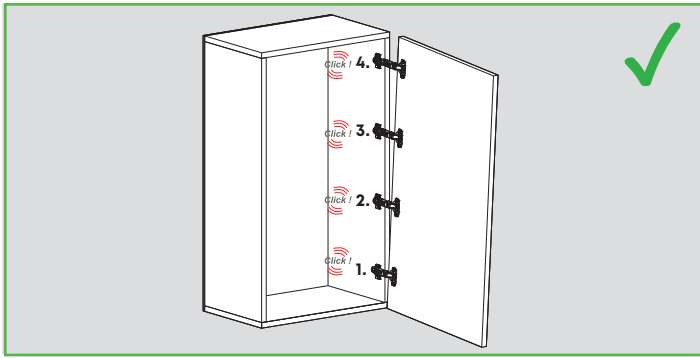
4 Adjustments should be done by screwdriver



Adjustments should not be done by cordless screwdriver

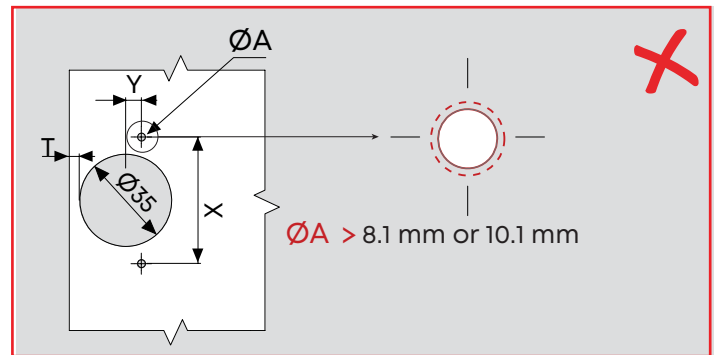
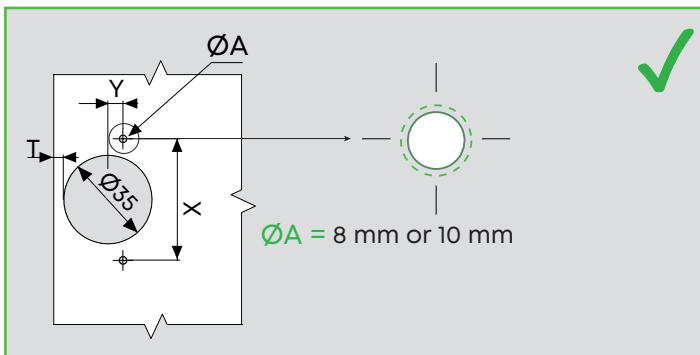
- DO - 

- DON'T - 



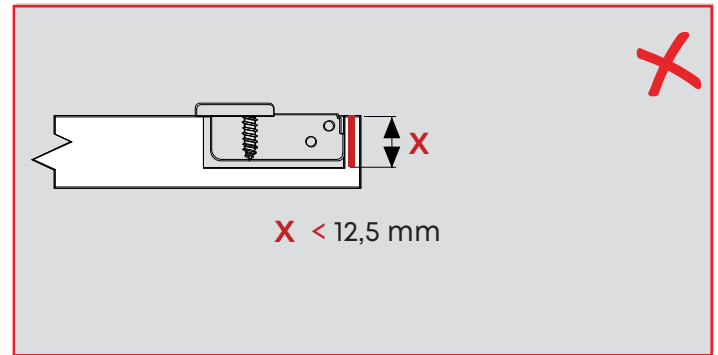
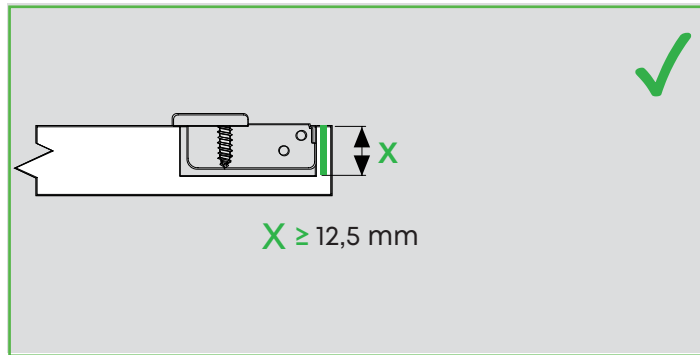
5 Assembly should be started from bottom side for high cabinet doors

Assembly should not be started from middle hinges



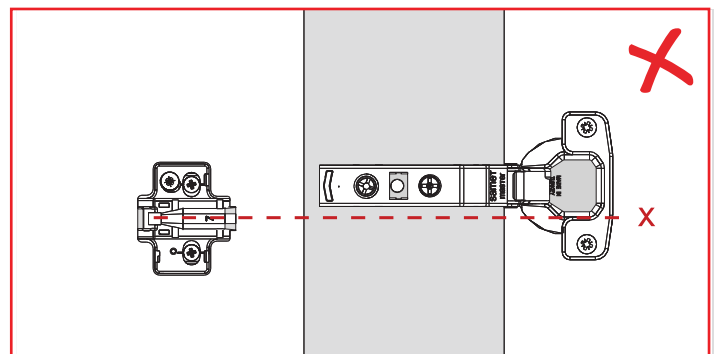
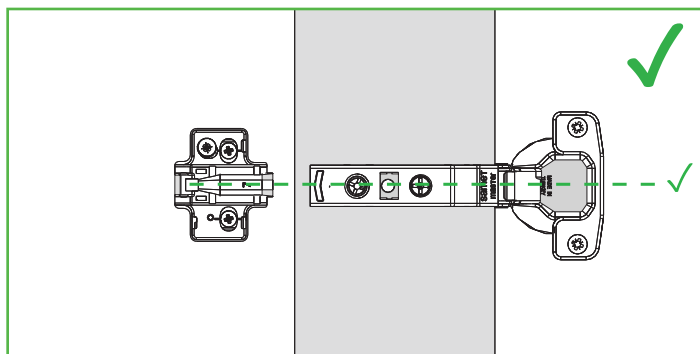
6 Tolerance size of dowel hole should be max. +0.1 mm

Tolerance size of dowel hole should not be larger than +0.1 mm.



7 Cup depth should be min. 12,5 mm.

Cup depth should not be lower than 12,5 mm.

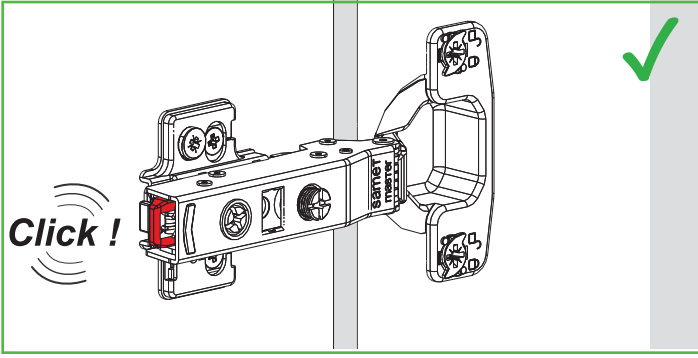


8 Hinge and mounting plate should be on same axis

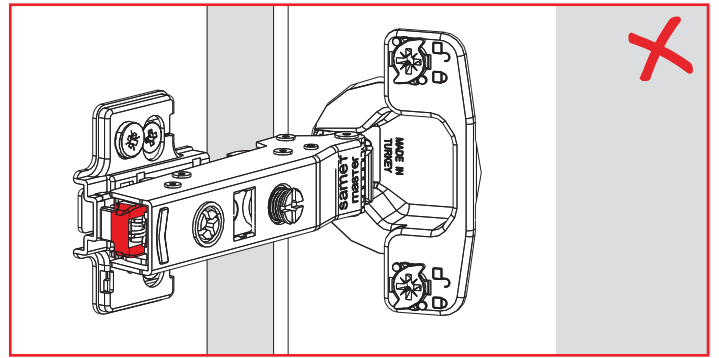
Hinge and mounting plate should not be on different axis

- DO - 

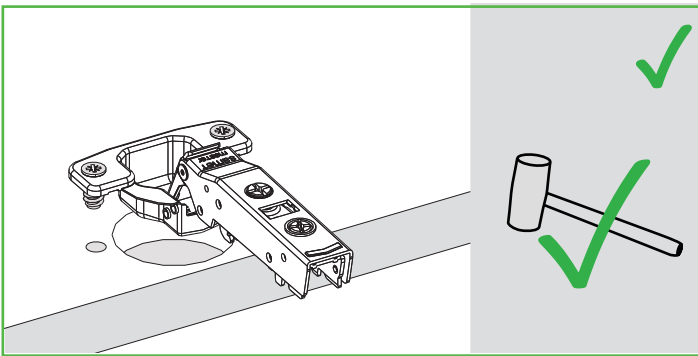
- DON'T - 



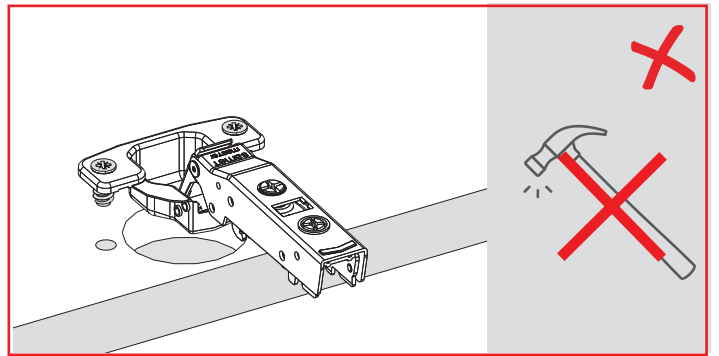
9 The cabinet door is secure after hear you hear a "click" sound.



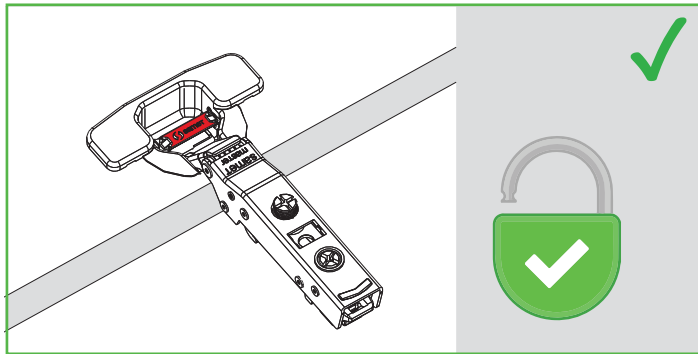
Do not un-attend the cabinet door until you hear a "click" sound.



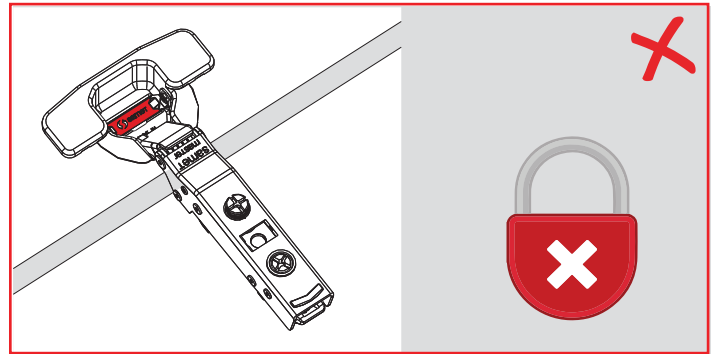
10 Plastic hammer should be used during assembly of hinges with dowels



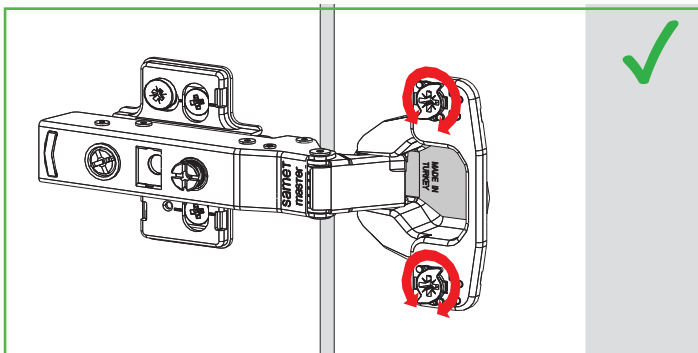
Metal hammer should not be used during assembly of hinges with dowels



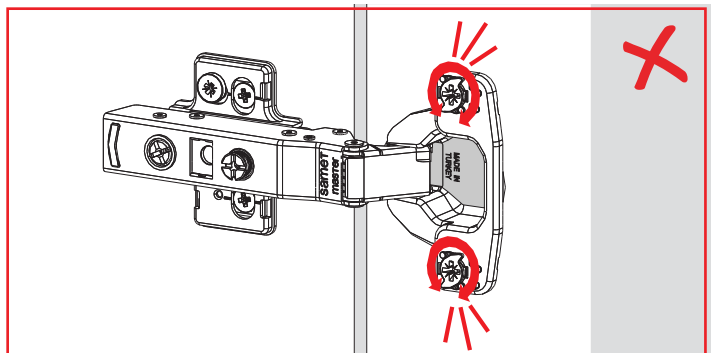
11 Tool-less mechanism should be open during installation of tool-less hinges.



Locking mechanism should not be rotated in the base of the hinge cup during insatllation of tool-less hinges.



12 Easy Fit installation screws should be in the un-locked position prior to installation.

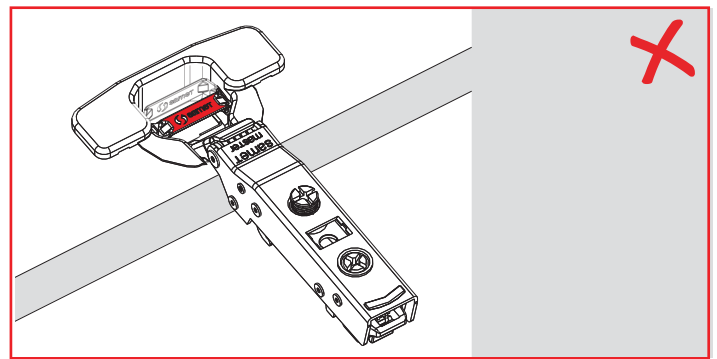
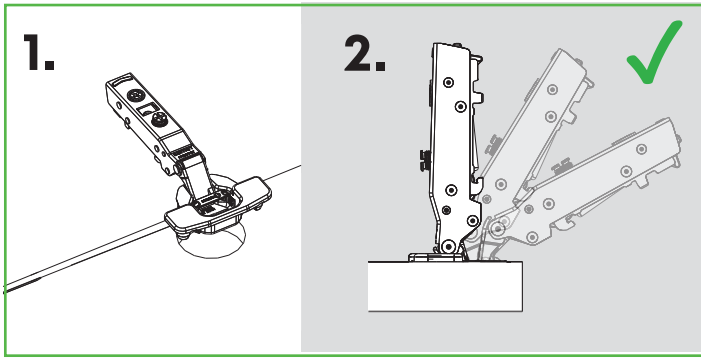


Easy Fit installation screws should not be rotated past the locked position during installation.

MASTER

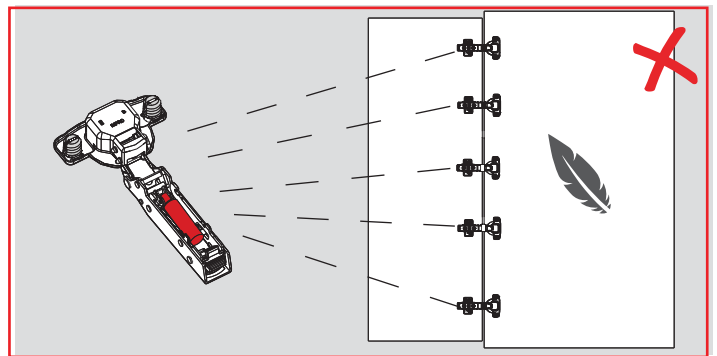
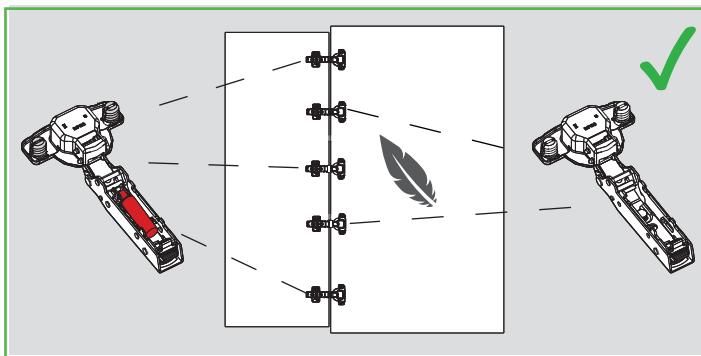
- DO - 

- DON'T - 



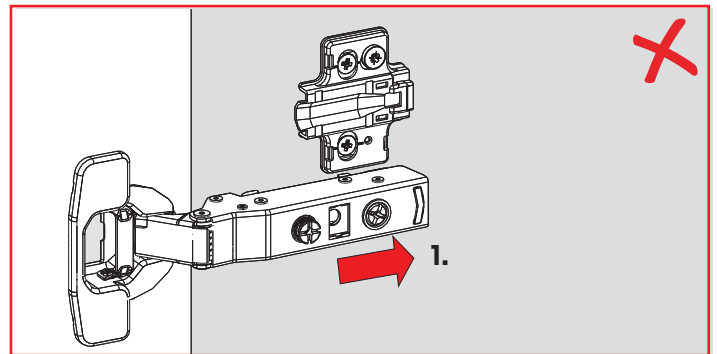
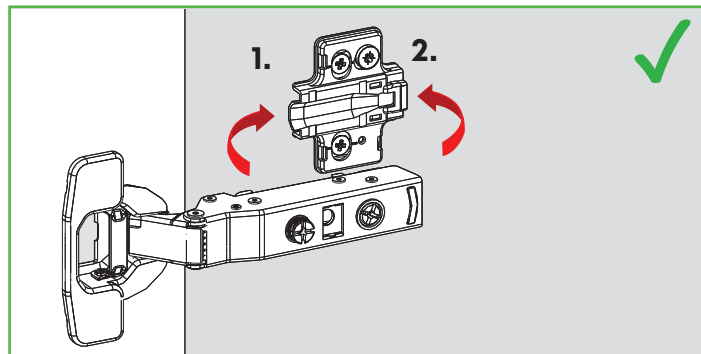
13 Tool-less hinges should be closed gently to install hinges to the door.

Tool-less hinges should not be closed with extreme force during installation.



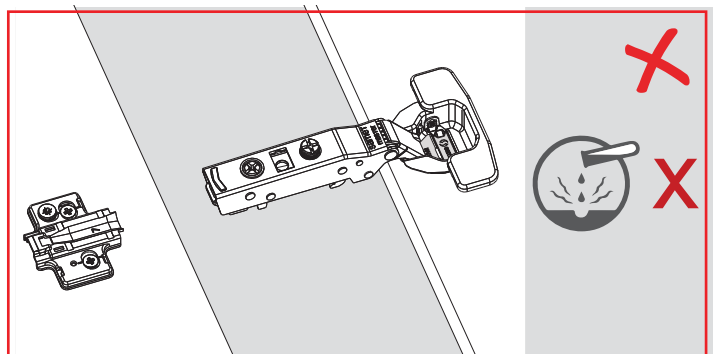
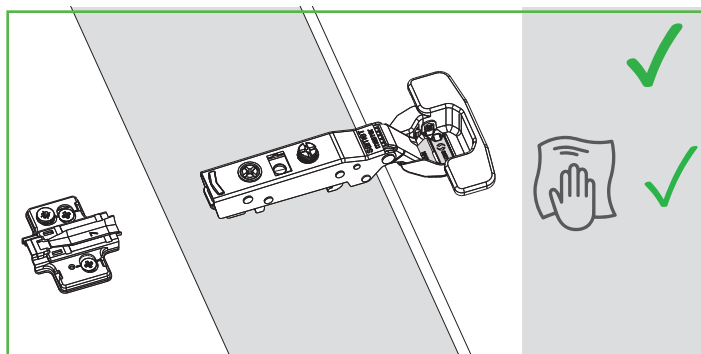
14 Usage number of soft close and self closing hinges should be decided according to decision chart.

Usage number of soft close and self closing hinges should not be decided randomly.



15 Hinges should be mounted to the door first, then attached to the mounting plate on the cabinet.

Hinges should not be mounted to the mounting plate on the cabinet first.

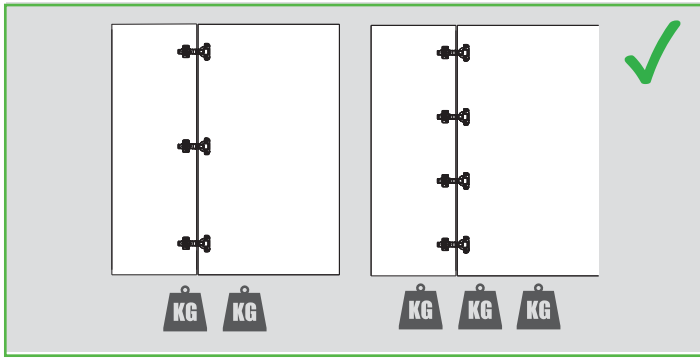


16 Please clean products with non-corrosive materials

Please do not clean products with corrosive materials

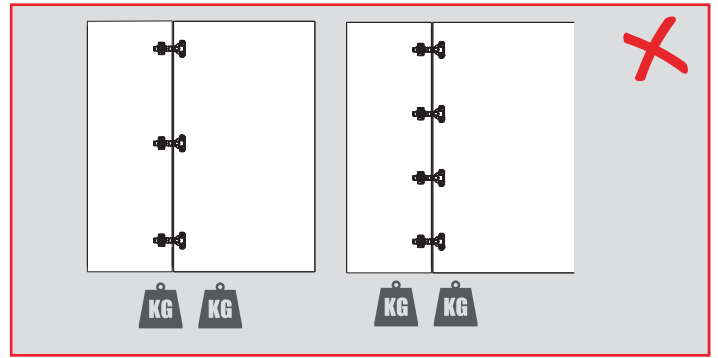
- DO - 

- DON'T - 

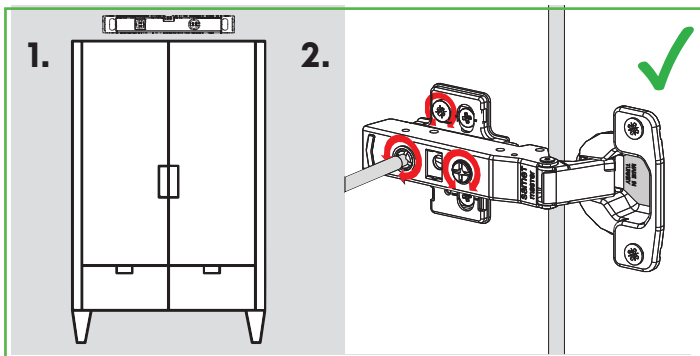


17

Number of hinges to be used should be decided according to dimension decision chart with reference to cabinet door weight

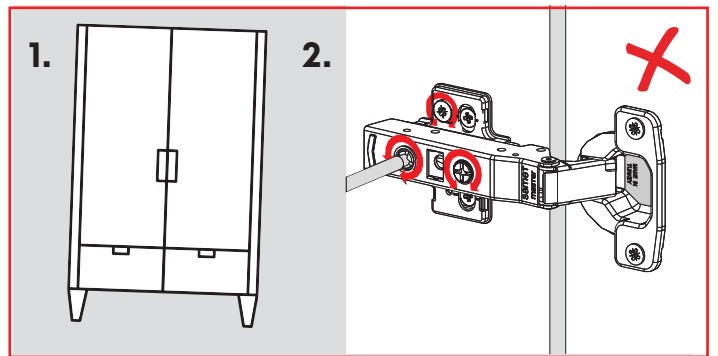


Number of hinges to be used should not be decided randomly

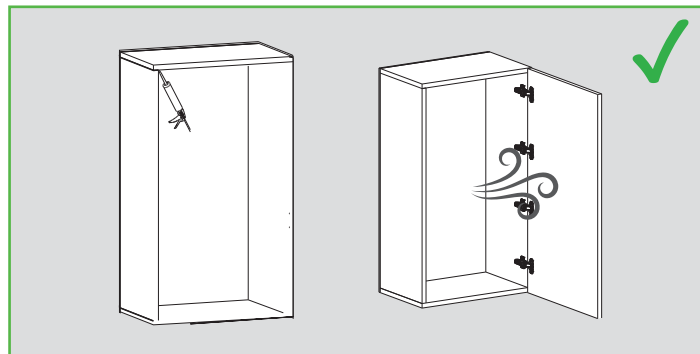


18

Cabinet should be levelled before adjustment

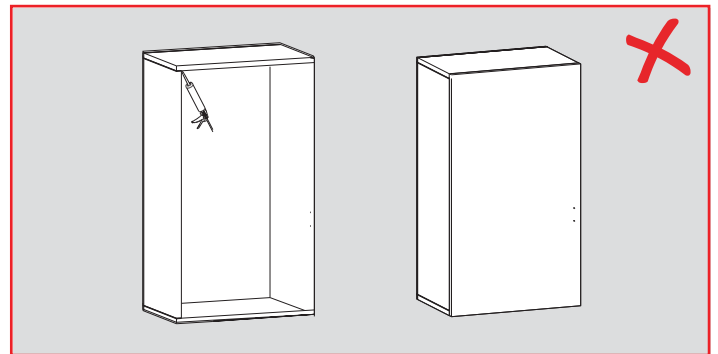


Cabinet should not be levelled after adjustment

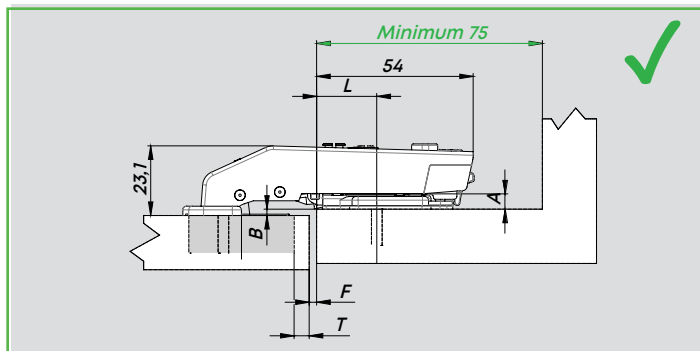


19

If you use silicone inside of the cabinet please open the door and ventilate the cabinet

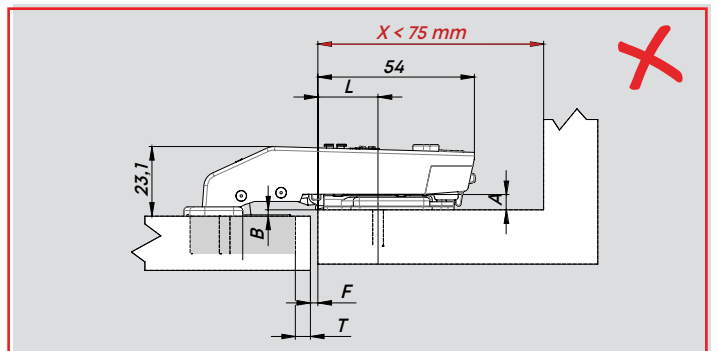


Please do not leave the door in closed position if you use silicone inside of the cabinet



20

In the assembly of 90 degrees hinges, there should be a minimum 75 mm distance in the cabinet



In the assembly of 90 degrees hinges, the distance in the cabinet should not be shorter than 75 mm.