

Slim Mech
Single Lift Up Door System



samet

*Simply Perfect
Completely Nature*

Introducing the latest addition to the SAMET Lift-Up Door Systems, Slim Mech is meticulously designed to perform the ultimate customer experience in all living areas. With its ergonomic design providing maximum usable space and an advanced mechanical system, it showcases top-tier performance.



Aesthetic Design that Blends with Living Spaces

Slim Mech, with its well-thought-out minimalist design, adds elegance and aesthetics to cabinets. The superior-quality nickel coating not only enhances its stylish appearance but also ensures years of use.



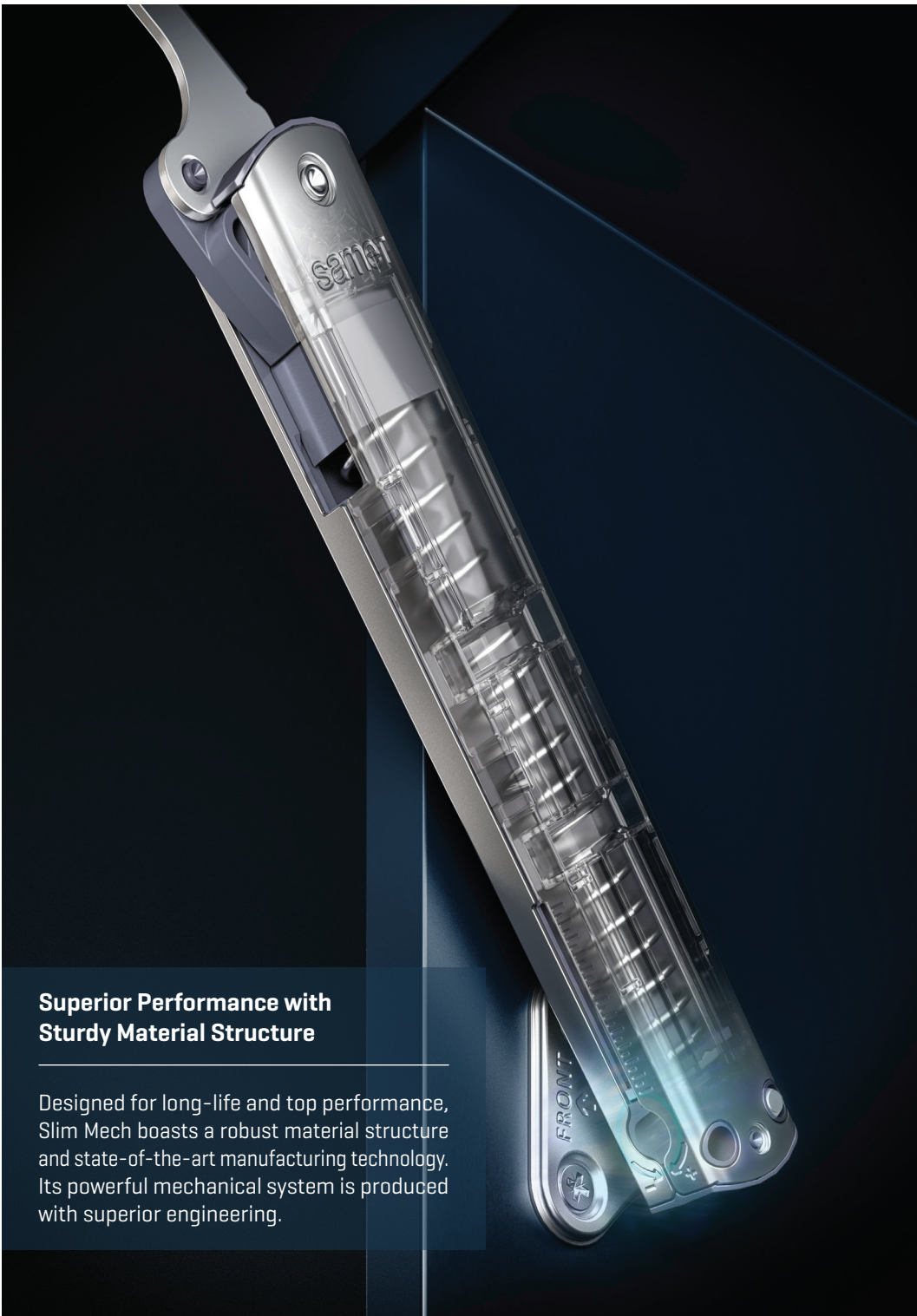
Perfect Silent and Soft-Closing

LGA-certified Slim Mech mechanisms, combined with LGA-certified Master Hinge Systems, ensure high performance and quiet operation for the lift-up doors.



Easy-to-Use in All Living Areas

With four different spring force options, Slim Mech adapts to various living spaces and cabinets of different sizes. The power adjustment feature allows it to exhibit the best performance.



Superior Performance with Sturdy Material Structure

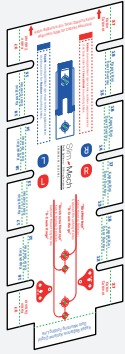
Designed for long-life and top performance, Slim Mech boasts a robust material structure and state-of-the-art manufacturing technology. Its powerful mechanical system is produced with superior engineering.



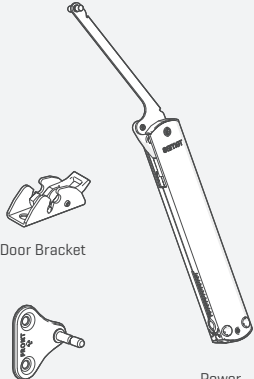
Features

- Soft Close and Gradually Opening
- 3D Door Adjustment and Power Adjustment
- Super-Easy User Friendly Assembly
- 4 Different Power Units as A1,B1,C1,D1
- Cabinet Height Between 250 -600 mm
- Cabinet Width up to 1.200 mm

Package Included



Drilling Template



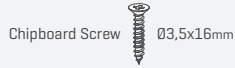
Door Bracket



Cabinet Bracket

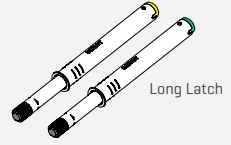
Power Mechanism

Recommended Products



Chipboard Screw

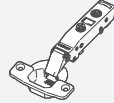
Ø3,5x16mm



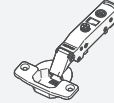
Long Latch



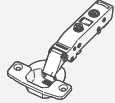
Master Mounting Plate [All Types]



Master Soft-Close Hinge



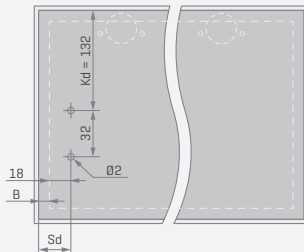
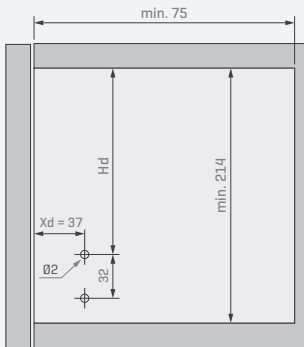
Master Self-Close Hinge



Master Free-Swing Hinge

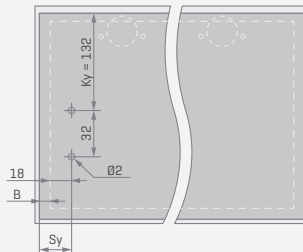
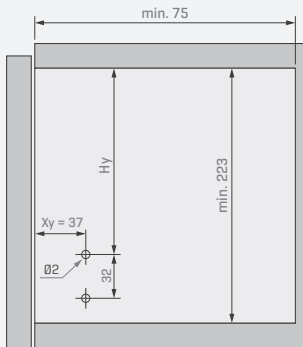
Full Overlay ["0 mm" Crank]

| Mounting Plate Height | 5 mm | 7 mm | 9 mm |
|-----------------------|------|------|------|
| Hd | 164 | 166 | 168 |
| Xd | 37 | | |
| Kd | 132 | | |
| Sd | 18+B | | |



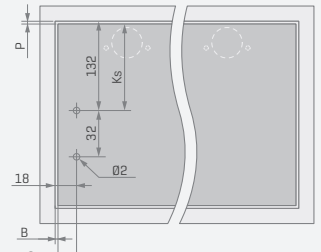
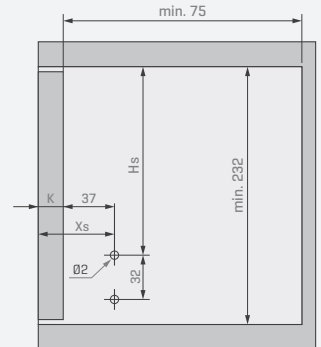
Half Overlay ["9 mm" Crank]

| Mounting Plate Height | 5 mm | 7 mm | 9 mm |
|-----------------------|------|------|------|
| Hy | 173 | 175 | 177 |
| Xy | 37 | | |
| Ky | 132 | | |
| Sy | 18+B | | |



Inset ["18 mm" Crank]

| Mounting Plate Height | 5 mm | 7 mm | 9 mm |
|-----------------------|-------|------|------|
| Hs | 182 | 184 | 186 |
| Xs | 37+K | | |
| Ks | 132-P | | |
| Ss | 18-B | | |



Slim Mech | CABINET DRILLING TEMPLATE

1 Fold the cabinet fold lines on the left to use the mechanism on the left cabinet side, and fold the cabinet fold lines on the right to use the mechanism on the right cabinet side, as shown.

2 Lean the alignment edge for cabinet.

3 Depending on the hinge type mark the required two holes and drill with $\varnothing 2\text{mm}$ drill bit.

Drilling template is convenient for "0 - Crank Hinge" and "9 - Crank Hinge" applications using "5 mm Mounting Plate."

"0-Crank Hinge" Cabinet Mounting Holes

"9-Crank Hinge" Cabinet Mounting Holes

Left Mounting

Right Mounting

Slim Mech | DOOR DRILLING TEMPLATE

1 Fold the "Door Mounting folding line" as shown.

2 Fold the "Door Overlay folding line" as shown according appropriate overlay dimension.

3 Align the folded areas to the door edges as shown.

4 Mark the required two holes and drill with $\varnothing 2\text{mm}$ drill bit.

Fold the left "Door overlay" folding lines to use on the left door side, and fold the right "Door overlay" folding lines to use on the right door side, and align on the door edge as shown.

Right Mounting

Left Mounting

Slim Mech | ASSEMBLY INSTRUCTIONS

1

2

3

Mounting Hole for Soft-Close

Mounting Hole for Push-Open

4

5

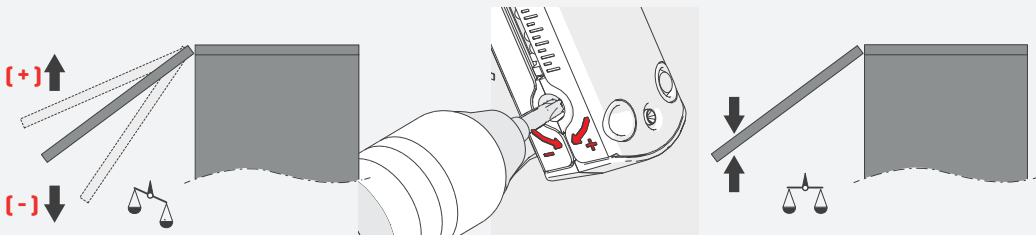
Click

Click

$\varnothing 10$ min. 90

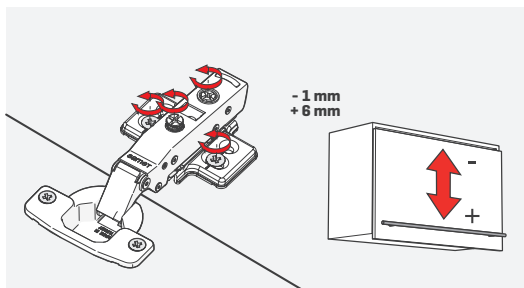
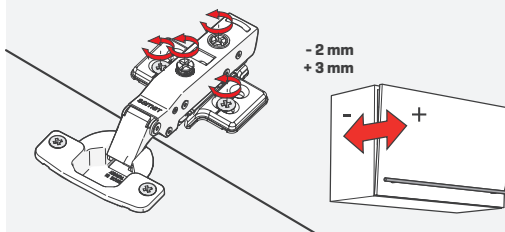
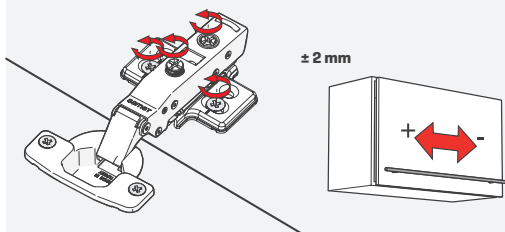
For the Push-Open door application, mount the "Long Latch" part at the specified location as shown.

POWER ADJUSTMENT

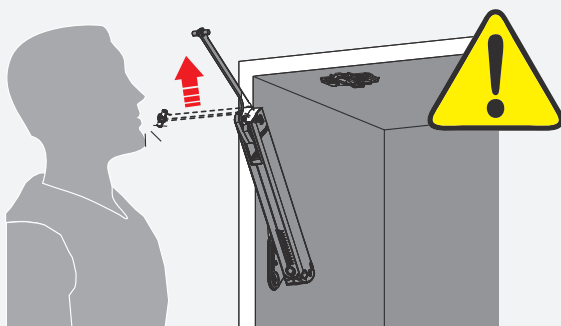


If the door in the open position is lifted and not fixed, turn in direction **[-]** and if it goes down, then turn in the direction **[+]** to adjust the balance.

DOOR ADJUSTMENT



CAUTION



| SLIM MECH SOFT-CLOSE | [Master Soft-Close x1] + [Master Self-Close x1] | | | | Master Soft-Close x2 | | | |
|-------------------------|--|--------|--------|--------|----------------------|--------|--------|--------|
| | A | | B | | C | | D | |
| | min kg | max kg | min kg | max kg | min kg | max kg | min kg | max kg |
| 250-260 | 1 | 1,81 | 1,81 | 3,08 | 3,08 | 5,2 | 5,2 | 6,92 |
| 261-270 | 0,97 | 1,76 | 1,76 | 2,97 | 2,97 | 5 | 5 | 6,67 |
| 271-280 | 0,93 | 1,67 | 1,67 | 2,79 | 2,79 | 4,82 | 4,82 | 6,43 |
| 281-290 | 0,89 | 1,59 | 1,59 | 2,69 | 2,69 | 4,63 | 4,63 | 6,21 |
| 291-300 | 0,86 | 1,5 | 1,5 | 2,6 | 2,6 | 4,46 | 4,46 | 6 |
| 301-310 | 0,84 | 1,46 | 1,46 | 2,52 | 2,52 | 4,32 | 4,32 | 5,81 |
| 311-320 | 0,81 | 1,43 | 1,43 | 2,44 | 2,44 | 4,19 | 4,19 | 5,63 |
| 321-330 | 0,78 | 1,4 | 1,4 | 2,37 | 2,37 | 4,05 | 4,05 | 5,46 |
| 331-340 | 0,76 | 1,37 | 1,37 | 2,3 | 2,3 | 3,92 | 3,92 | 5,3 |
| 341-350 | 0,74 | 1,33 | 1,33 | 2,21 | 2,21 | 3,8 | 3,8 | 5,14 |
| 351-360 | 0,72 | 1,28 | 1,28 | 2,15 | 2,15 | 3,67 | 3,67 | 5 |
| 361-370 | 0,7 | 1,23 | 1,23 | 2,09 | 2,09 | 3,54 | 3,54 | 4,87 |
| 371-380 | 0,68 | 1,2 | 1,2 | 2,03 | 2,03 | 3,42 | 3,42 | 4,74 |
| 381-390 | 0,66 | 1,17 | 1,17 | 1,98 | 1,98 | 3,33 | 3,33 | 4,62 |
| 391-400 | 0,64 | 1,15 | 1,15 | 1,93 | 1,93 | 3,25 | 3,25 | 4,5 |
| 401-410 | 0,63 | 1,11 | 1,11 | 1,88 | 1,88 | 3,12 | 3,12 | 4,39 |
| 411-420 | 0,61 | 1,08 | 1,08 | 1,84 | 1,84 | 3,05 | 3,05 | 4,29 |
| 421-430 | 0,6 | 1,05 | 1,05 | 1,79 | 1,79 | 2,97 | 2,97 | 4,19 |
| 431-440 | 0,58 | 1,03 | 1,03 | 1,75 | 1,75 | 2,9 | 2,9 | 4,09 |
| 441-450 | 0,57 | 1 | 1 | 1,71 | 1,71 | 2,83 | 2,83 | 4 |
| 451-460 | 0,56 | 0,99 | 0,99 | 1,67 | 1,67 | 2,76 | 2,76 | 3,91 |
| 461-470 | 0,54 | 0,97 | 0,97 | 1,64 | 1,64 | 2,71 | 2,71 | 3,83 |
| 471-480 | 0,53 | 0,95 | 0,95 | 1,6 | 1,6 | 2,65 | 2,65 | 3,75 |
| 481-490 | 0,52 | 0,93 | 0,93 | 1,57 | 1,57 | 2,59 | 2,59 | 3,67 |
| 491-500 | 0,51 | 0,92 | 0,92 | 1,52 | 1,52 | 2,54 | 2,54 | 3,6 |
| 501-510 | 0,5 | 0,89 | 0,89 | 1,49 | 1,49 | 2,49 | 2,49 | 3,53 |
| 511-520 | 0,49 | 0,87 | 0,87 | 1,46 | 1,46 | 2,44 | 2,44 | 3,46 |
| 521-530 | 0,48 | 0,84 | 0,84 | 1,42 | 1,42 | 2,4 | 2,4 | 3,4 |
| 531-540 | 0,47 | 0,83 | 0,83 | 1,39 | 1,39 | 2,35 | 2,35 | 3,33 |
| 541-550 | 0,46 | 0,81 | 0,81 | 1,37 | 1,37 | 2,31 | 2,31 | 3,27 |
| 551-560 | 0,46 | 0,8 | 0,8 | 1,34 | 1,34 | 2,26 | 2,26 | 3,22 |
| 561-570 | 0,45 | 0,79 | 0,79 | 1,32 | 1,32 | 2,22 | 2,22 | 3,16 |
| 571-580 | 0,44 | 0,77 | 0,77 | 1,3 | 1,3 | 2,17 | 2,17 | 3,1 |
| 581-590 | 0,43 | 0,76 | 0,76 | 1,27 | 1,27 | 2,14 | 2,14 | 3,05 |
| 591-600 | 0,43 | 0,75 | 0,75 | 1,25 | 1,25 | 2,09 | 2,09 | 3 |

Less powerful mechanism is recommended for intersection areas.

If using the double-sided mechanism, the weight capacity is doubled.

*The door weights above includes door and handle together.

| SLIM MECH PUSH-OPEN | [Master Self-Close x1] + [Master Free-Swing x1] | | | | | | | | Push-Open Type |
|------------------------|---|--------|--------|--------|--------|--------|--------|--------|--|
| | A | | B | | C | | D | | |
| Door Height | min kg | max kg | min kg | max kg | min kg | max kg | min kg | max kg | |
| 250-260 | 0,8 | 1,74 | 1,74 | 2,84 | 2,84 | 4,79 | 4,79 | 6,92 | Yellow Push Open With Bumber (Code:10299964) |
| 261-270 | 0,77 | 1,67 | 1,67 | 2,74 | 2,74 | 4,61 | 4,61 | 6,67 | |
| 271-280 | 0,74 | 1,59 | 1,59 | 2,62 | 2,62 | 4,41 | 4,41 | 6,43 | |
| 281-290 | 0,71 | 1,53 | 1,53 | 2,5 | 2,5 | 4,25 | 4,25 | 6,2 | |
| 291-300 | 0,69 | 1,47 | 1,47 | 2,4 | 2,4 | 4,1 | 4,1 | 6 | |
| 301-310 | 0,67 | 1,42 | 1,42 | 2,32 | 2,32 | 3,96 | 3,96 | 5,8 | |
| 311-320 | 0,65 | 1,38 | 1,38 | 2,25 | 2,25 | 3,83 | 3,83 | 5,62 | |
| 321-330 | 0,63 | 1,34 | 1,34 | 2,18 | 2,18 | 3,68 | 3,68 | 5,45 | |
| 331-340 | 0,6 | 1,3 | 1,3 | 2,12 | 2,12 | 3,55 | 3,55 | 5,29 | |
| 341-350 | 0,59 | 1,26 | 1,26 | 2,06 | 2,06 | 3,43 | 3,43 | 5,14 | |
| 351-360 | 0,57 | 1,21 | 1,21 | 1,99 | 1,99 | 3,33 | 3,33 | 5 | |
| 361-370 | 0,55 | 1,17 | 1,17 | 1,92 | 1,92 | 3,24 | 3,24 | 4,86 | |
| 371-380 | 0,54 | 1,13 | 1,13 | 1,86 | 1,86 | 3,12 | 3,12 | 4,73 | |
| 381-390 | 0,53 | 1,1 | 1,1 | 1,81 | 1,81 | 3,03 | 3,03 | 4,61 | |
| 391-400 | 0,51 | 1,08 | 1,08 | 1,76 | 1,76 | 2,94 | 2,94 | 4,5 | |
| 401-410 | 0,5 | 1,05 | 1,05 | 1,72 | 1,72 | 2,87 | 2,87 | 4,39 | |
| 411-420 | 0,49 | 1,03 | 1,03 | 1,68 | 1,68 | 2,8 | 2,8 | 4,29 | |
| 421-430 | 0,48 | 1 | 1 | 1,64 | 1,64 | 2,73 | 2,73 | 4,19 | |
| 431-440 | 0,46 | 0,98 | 0,98 | 1,6 | 1,6 | 2,67 | 2,67 | 4,09 | |
| 441-450 | 0,45 | 0,96 | 0,96 | 1,57 | 1,57 | 2,61 | 2,61 | 4 | |
| 451-460 | 0,44 | 0,94 | 0,94 | 1,53 | 1,53 | 2,55 | 2,55 | 3,91 | |
| 461-470 | 0,43 | 0,92 | 0,92 | 1,5 | 1,5 | 2,5 | 2,5 | 3,83 | |
| 471-480 | 0,42 | 0,9 | 0,9 | 1,47 | 1,47 | 2,44 | 2,44 | 3,75 | |
| 481-490 | 0,42 | 0,88 | 0,88 | 1,44 | 1,44 | 2,39 | 2,39 | 3,67 | |
| 491-500 | 0,41 | 0,86 | 0,86 | 1,41 | 1,41 | 2,35 | 2,35 | 3,6 | |
| 501-510 | 0,4 | 0,84 | 0,84 | 1,38 | 1,38 | 2,28 | 2,28 | 3,53 | |
| 511-520 | 0,39 | 0,83 | 0,83 | 1,35 | 1,35 | 2,22 | 2,22 | 3,46 | |
| 521-530 | 0,38 | 0,81 | 0,81 | 1,32 | 1,32 | 2,17 | 2,17 | 3,4 | |
| 531-540 | 0,38 | 0,8 | 0,8 | 1,3 | 1,3 | 2,13 | 2,13 | 3,33 | |
| 541-550 | 0,37 | 0,78 | 0,78 | 1,27 | 1,27 | 2,09 | 2,09 | 3,27 | |
| 551-560 | 0,36 | 0,77 | 0,77 | 1,25 | 1,25 | 2,05 | 2,05 | 3,21 | |
| 561-570 | 0,36 | 0,76 | 0,76 | 1,23 | 1,23 | 2,01 | 2,01 | 3,16 | |
| 571-580 | 0,35 | 0,74 | 0,74 | 1,21 | 1,21 | 1,98 | 1,98 | 3,1 | |
| 581-590 | 0,34 | 0,73 | 0,73 | 1,19 | 1,19 | 1,95 | 1,95 | 3,05 | |
| 591-600 | 0,34 | 0,72 | 0,72 | 1,17 | 1,17 | 1,92 | 1,92 | 3 | |

Yellow Push Open With Bumber (Code:10299964)

Green Push Open With Bumber (Code:10299963)

Less powerful mechanism is recommended for intersection areas.

If using the double-sided mechanism, the weight capacity is doubled.

| Code | Description | Power | Package | Quantity (pc) |
|----------------|------------------|-------|---------|---------------|
| 12427640008001 | SLIM MECH Retail | A1 | Retail | 1 |
| 12427740008001 | SLIM MECH Retail | B1 | Retail | 1 |
| 12427840008001 | SLIM MECH Retail | C1 | Retail | 1 |
| 12427440008001 | SLIM MECH Retail | D1 | Retail | 1 |
| 12427630008001 | SLIM MECH Retail | A1 | Retail | 2 |
| 12427730008001 | SLIM MECH Retail | B1 | Retail | 2 |
| 12427830008001 | SLIM MECH Retail | C1 | Retail | 2 |
| 12427430008001 | SLIM MECH Retail | D1 | Retail | 2 |

| Code | Description | Power | Package | Quantity (pc) |
|----------------|---------------------|-------|-----------|---------------|
| 12427620008001 | SLIM MECH Wholesale | A1 | Wholesale | 40 |
| 12427720008001 | SLIM MECH Wholesale | B1 | Wholesale | 40 |
| 12427820008001 | SLIM MECH Wholesale | C1 | Wholesale | 40 |
| 12427420008001 | SLIM MECH Wholesale | D1 | Wholesale | 40 |

| Code | Description | Power | Package | Quantity (pc) |
|----------------|----------------|-------|---------|---------------|
| 12427650008001 | SLIM MECH Bulk | A1 | Bulk | 468 |
| 12427750008001 | SLIM MECH Bulk | B1 | Bulk | 468 |
| 12427850008001 | SLIM MECH Bulk | C1 | Bulk | 468 |
| 12427450008001 | SLIM MECH Bulk | D1 | Bulk | 468 |

samET



www.sametglobal.com



sametinternational



samet_global



SametGroup



Samet Kalıp ve Madeni Eşya San. ve Tic. A.Ş.