

Solo Mech

Hingeless Single Lift-Up Door Mechanism





Outstanding Design Results In Magical Movement and Pure Silence

Solo-Mech ensures flawless “open and close” movement with innovative “hinge-less” technology.





MOCHA



ANTHRACITE



GREY



WHITE

Provides great colour alternatives with Anthracite, Mocha, Grey and White colour options.

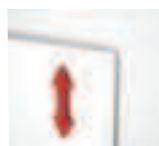


**Soft and silent movement
features provide maximum
comfort.**

With its gradual-open mechanism,
cabinet doors can be stopped at a
desired level.

**“Fully mechanic”
lifting structure provides
lifetime stability.**





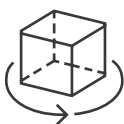
UP
DOWN



LEFT
RIGHT



BACK
FORWARD

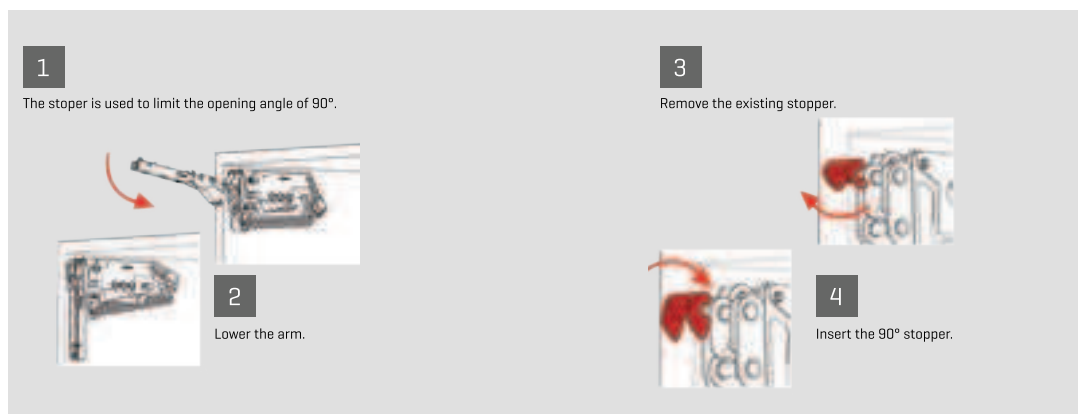
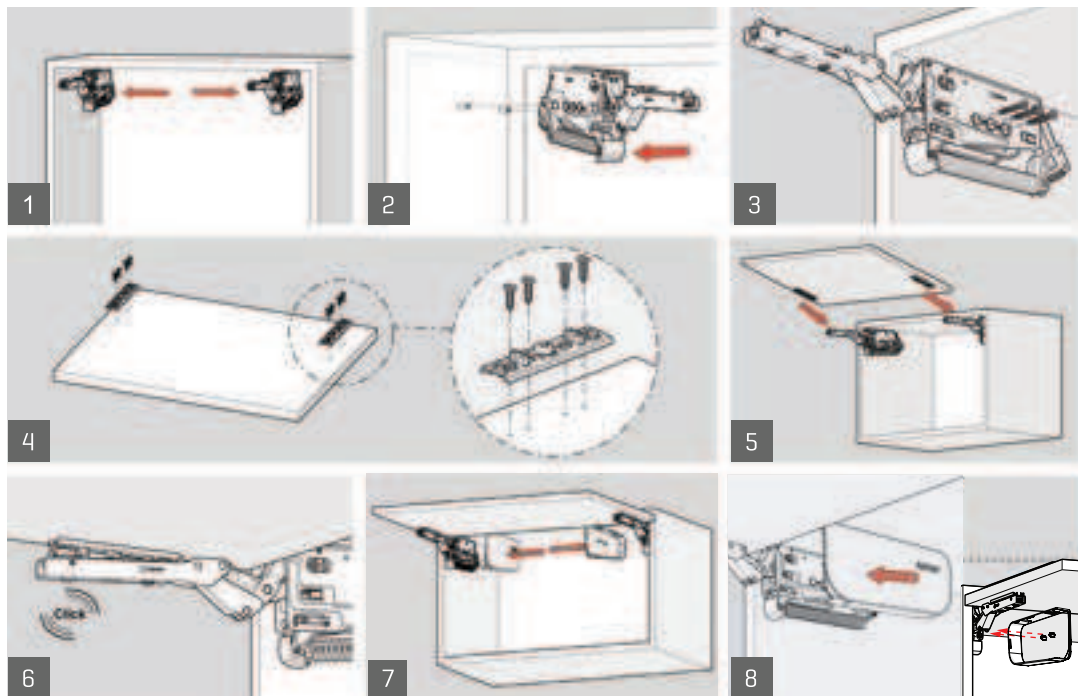


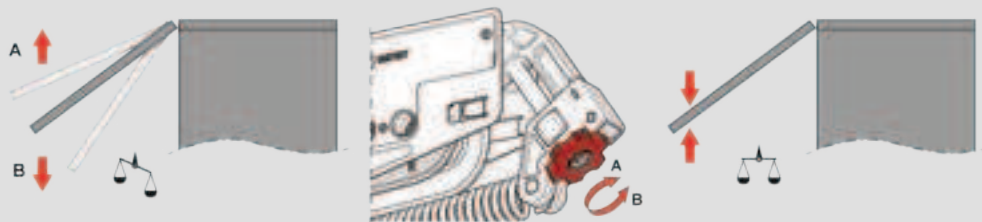
3D Adjustment

Solo-Mech's three dimensional alignment mechanism enables flawless installation.

Solo-Mech Aluminium Frame Solution







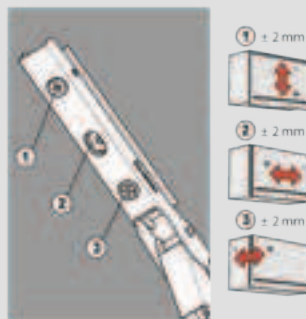
If, when the door is released, it rises instead of remaining in position, turn in direction "A," and if it descends, turn in direction "B" in order to adjust balance.

Low braking at setting 1, High braking at setting 4.

If the door closes too fast or too slowly, you can adjust the strength of the soft closing mechanism by adjusting from the specified position.



Important: Do not force the adjustment mechanism beyond the end point.



SAFETY INFORMATION

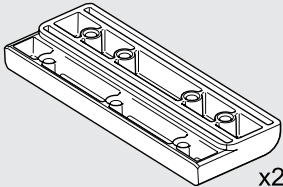


DESCRIPTION

CODE

Solo-Mech Aluminium Framed Door Connector

1249910



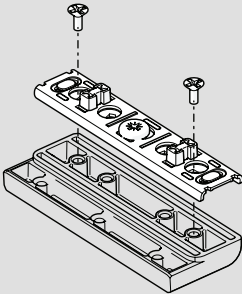
x2



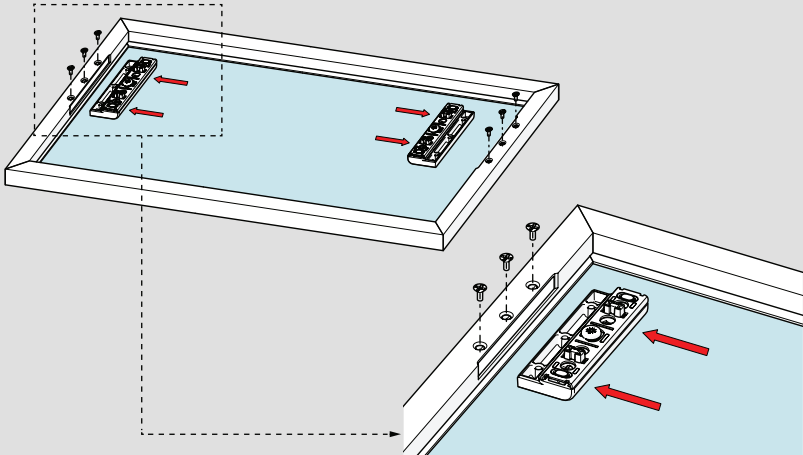
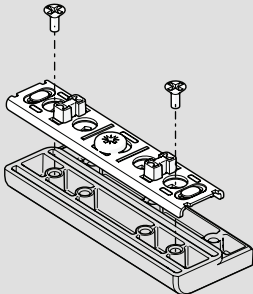
x10

M4

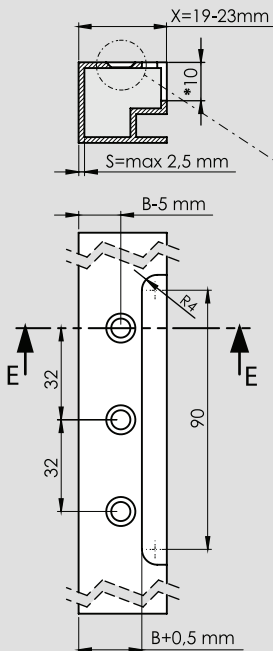
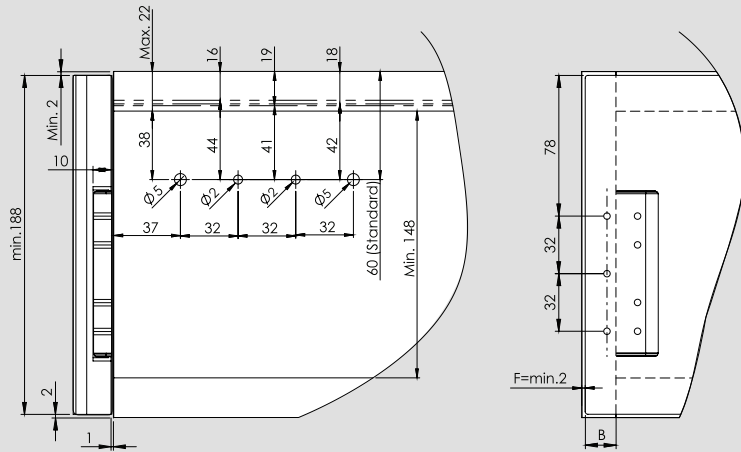
(DIN 7500M)



1



2

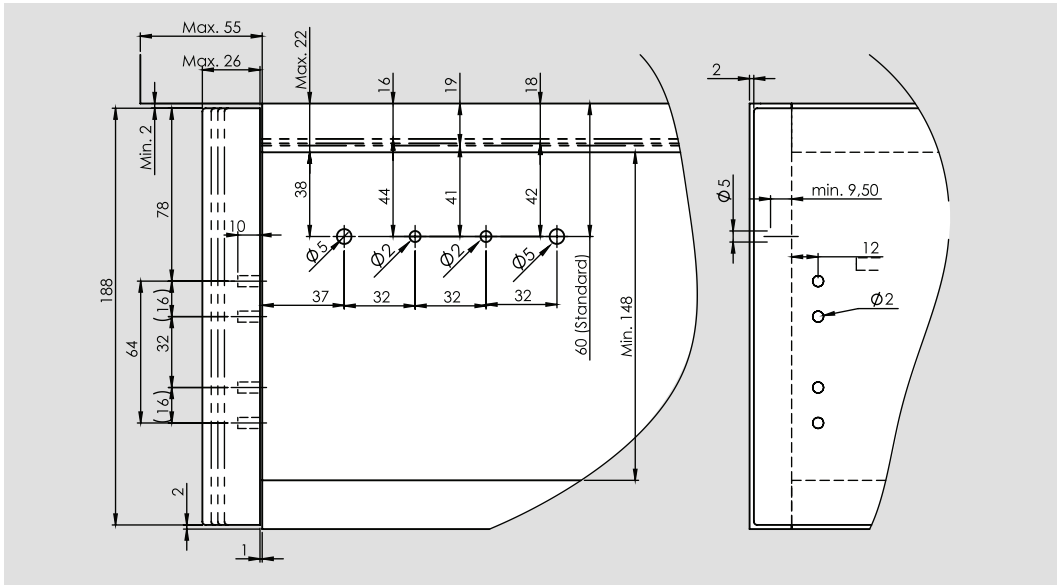


If $B + 19 > X$, "Aluminium Door Connection Adapter" should be used.

- F : Minimum Gap
- B : Side Overlay
- S : Profile Material Thickness
- X : Profile Width

B = max. 17 mm for 19 mm width aluminium profiles.

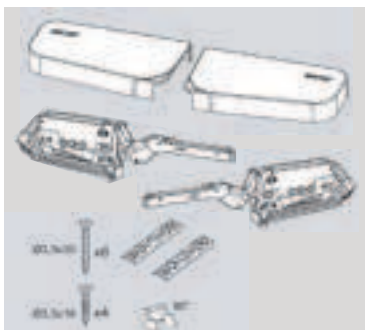
Important
 *If the material thickness [S] is changed,
 application dimensions should be calculated again.



Door Height \ Power Unit	A1		B1		C1	
	min. kg	max. kg	min. kg	max. kg	min. kg	max. kg
200 mm	3,6	6,5	5	9,7	7	14,7
200-250 mm	3,4	6,5	5	9,7	5,5	12,2
251-300 mm	1,9	4,9	3	5,9	4,5	9,9
301-350 mm	1,6	3,6	2,8	5	4	7,9
351-400 mm	1,4	3,1	2,4	4,2	3,6	7,2
401-450 mm	1,3	2,8	2,2	3,8	3,2	6,3
451-500 mm	1,2	2,5	2	3,4	2,8	5,5
501-550 mm	1	2,2	1,75	3	2,6	5,1
551-600 mm	0,95	2	1,7	2,8	2,5	4,6






More powerful mechanism is recommended for intersection areas.

Code	Description	Power	Color	Package
12417610001084	Solo Mech Retail Package	A1	White	1 Set
12417610003084	Solo Mech Retail Package	A1	Grey	1 Set
12417610006084	Solo Mech Retail Package	A1	Mocha	1 Set
12417610007084	Solo Mech Retail Package	A1	Anthracite	1 Set
12417710001084	Solo Mech Retail Package	B1	White	1 Set
12417710003084	Solo Mech Retail Package	B1	Grey	1 Set
12417710006084	Solo Mech Retail Package	B1	Mocha	1 Set
12417710007084	Solo Mech Retail Package	B1	Anthracite	1 Set
12417810001084	Solo Mech Retail Package	C1	White	1 Set
12417810003084	Solo Mech Retail Package	C1	Grey	1 Set
12417810006084	Solo Mech Retail Package	C1	Mocha	1 Set
12417810007084	Solo Mech Retail Package	C1	Anthracite	1 Set





www.greenplysamet.com

-  Greenply-Samet
-  GreenplySamet
-  GreenplySamet
-  GreenplySamet
-  GreenplySamet