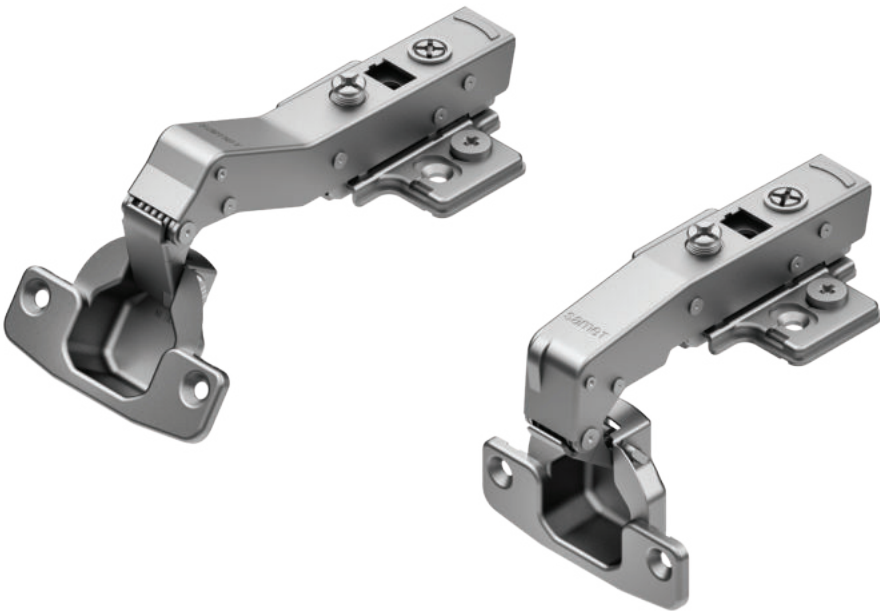


Angular Hinge Systems: Integrated Soft Close and Self Closing models

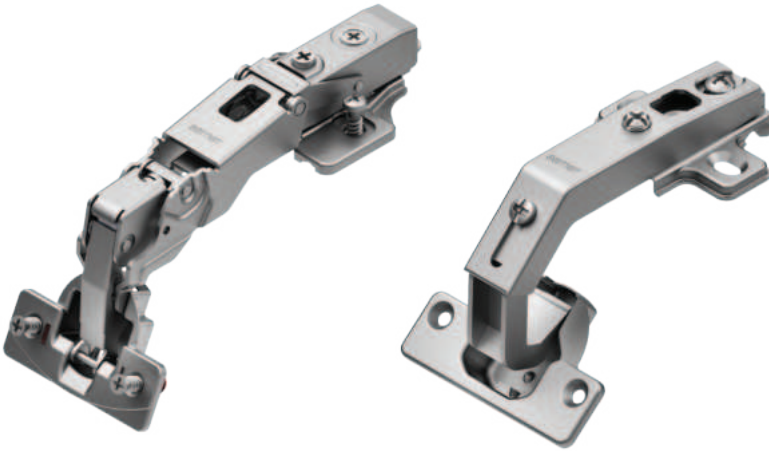
45 and 90 degree angular hinges ensures silent and smooth furniture door closing performance for special applications.



- Perfect aesthetic design
- Appropriate for special applications
- Easy assembly and disassembly with track mechanism
- Advanced 3D Adjustment
- 45° diagonal corner and 90° blind corner options

Special Hinge Systems; Integrated Soft Close and Self Closing Models

With its wide range of products, Special Hinges easily match various cabinet designs, ensuring it fits any special design preference perfectly.



CODE	DEFINITION	AXIS	ASSEMBLY	MOUNTING PLATE	FINISH	BAG	PACKAGE
1010046387	SOFT CLOSE HINGE 90°	52 mm	TRACK	3D ADJUSTABLE	NICKEL	2 SETS	60 BAGS
1010044387	SOFT CLOSE HINGE 45°	52 mm	TRACK	3D ADJUSTABLE	NICKEL	2 SETS	60 BAGS
1010146387	SELF CLOSE HINGE 90°	52 mm	TRACK	3D ADJUSTABLE	NICKEL	2 SETS	60 BAGS
1010144387	SELF CLOSE HINGE 45°	52 mm	TRACK	3D ADJUSTABLE	NICKEL	2 SETS	60 BAGS
101715388	STAR SELF CLOSE HINGE 90°	52 mm	SLIDE-ON	2 HOLE	NICKEL	2 SETS	60 BAGS
101704388	STAR SELF CLOSE HINGE 45°	52 mm	SLIDE-ON	2 HOLE	NICKEL	2 SETS	60 BAGS
101603087	SOFT CLOSE HINGE 165°	52 mm	TRACK	3D ADJUSTABLE	NICKEL	2 SETS	60 BAGS
101984388	SELF CLOSE HINGE 165°	52 mm	TRACK	3D ADJUSTABLE	NICKEL	2 SETS	60 BAGS
101981388	SELF CLOSE HINGE 165°	52 mm	SLIDE-ON	2 HOLE	NICKEL	2 SETS	60 BAGS
101706388	FOLDING DOOR HINGE	52 mm	SLIDE-ON	2 HOLE	NICKEL	2 SETS	60 BAGS