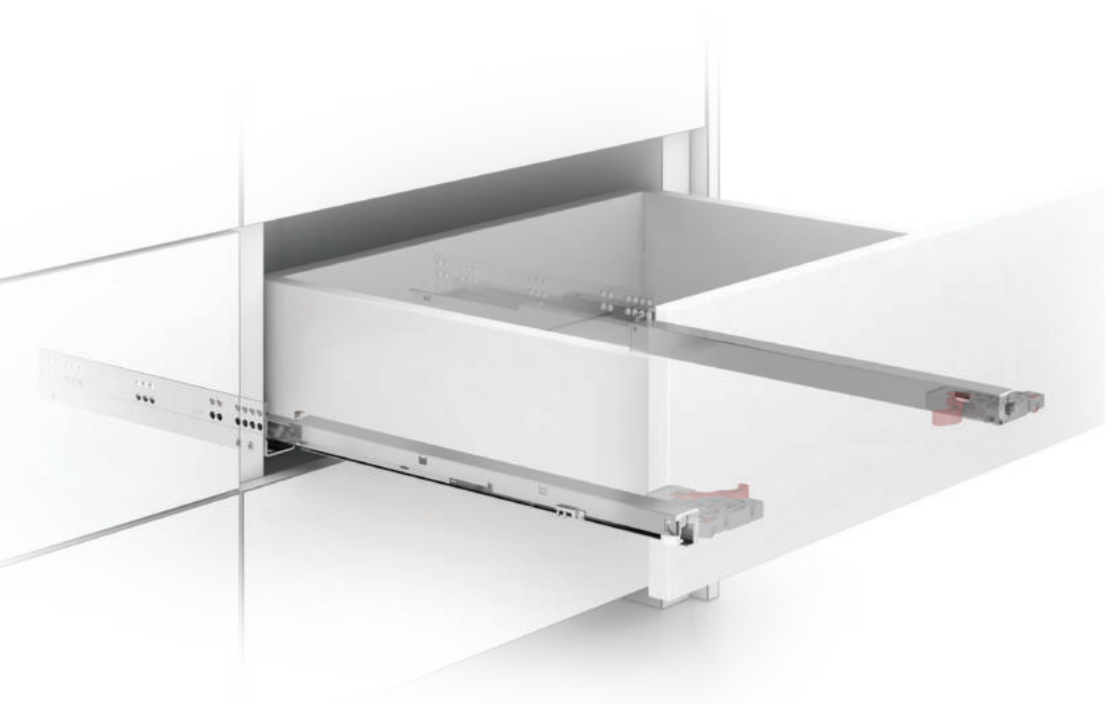


SMARTFULL

Undermount Slide Systems



samet

Smart Slide Single and Full Extension Options

Smart Slide Drawer Systems meet expectations for advanced design creation with full and single extension options, which are developed with the purpose of meeting various design needs..



How many different ways could there be to open a Smart Slide drawer ?

Soft Close Version

The new integrated soft close system ensures gentle and quiet closing. Thanks to adaptive soft close technology, drawers can be closed softly with same smooth closing effect even if you change the load inside the drawer.



Push - Open Version

Smart Slide Drawer Systems "Push Open" function simplifies the use of non-handle drawers with a single touch movement.



Push - Open Soft Close Version

Now the Smart Slide generation is integrated into the Soft-Close and Push-Open system at the same time. With this feature the drawer is upgraded to a very high quality and sophisticated design for the interior design world.



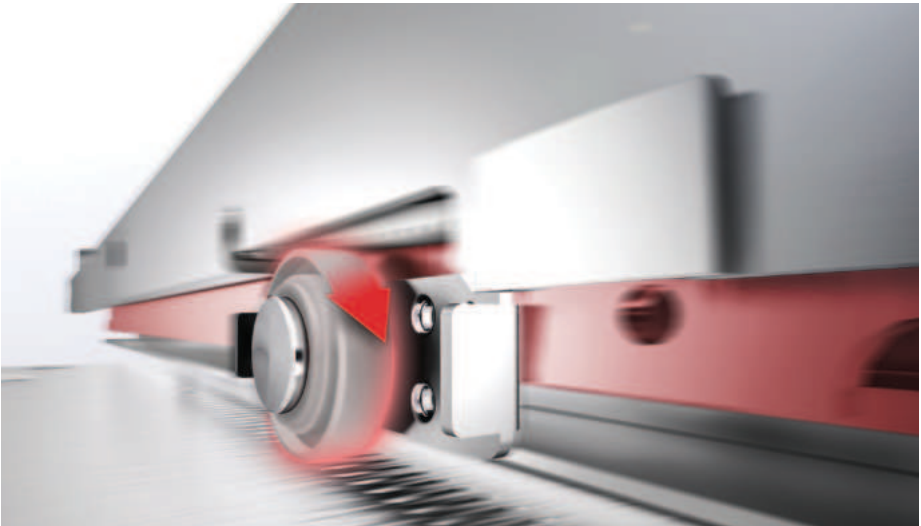
Smooth and Silent Movement

Smart Slide Full is engineered to be functional for any drawers.

Smart Slide Full extension allows you freedom in furniture design such as Day & Night furniture's, bathroom cabinet and also kitchen applications.

Due to special production method with low tolerances, Smart Slide Full operates smooth and effortlessly all the time.

Nonstop Synchronization, provided by silicone wheel, ensures smooth and silent running action with lifetime durability.



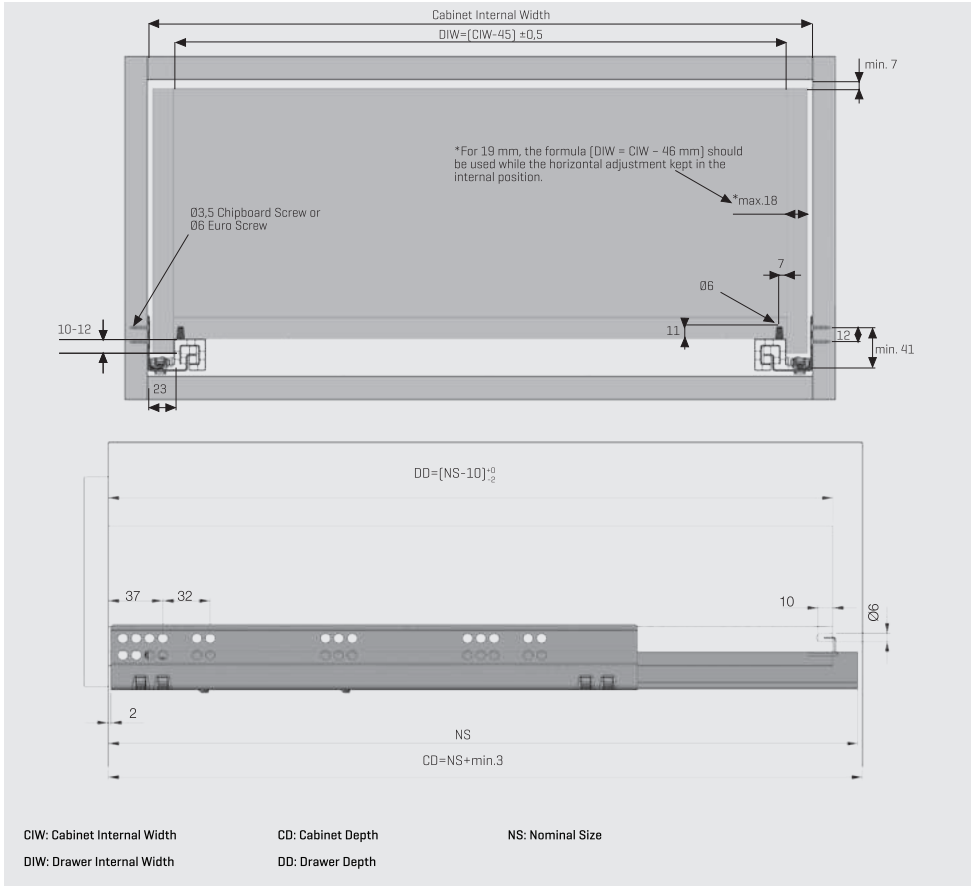
Lock-Fix and Pin-Fix Mechanism Options

Lock-Fix mechanism was especially designed for the quick and flexible installation process of Smart Slide Drawer Systems. “Pin-Fix System” was particularly developed for industrial furniture producers to ensure ease and safety during installation.

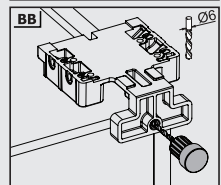
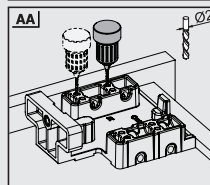
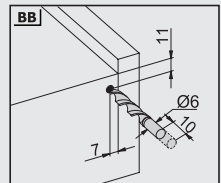
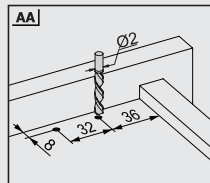
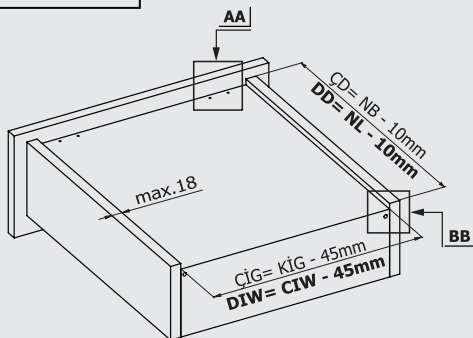
With wide drawer size alternatives within a range of 250 mm to 600 mm, different requirements can be met, which ensures different solutions during furniture production. The possibility to lock as tight as desired ensures safety during drawer utilization.



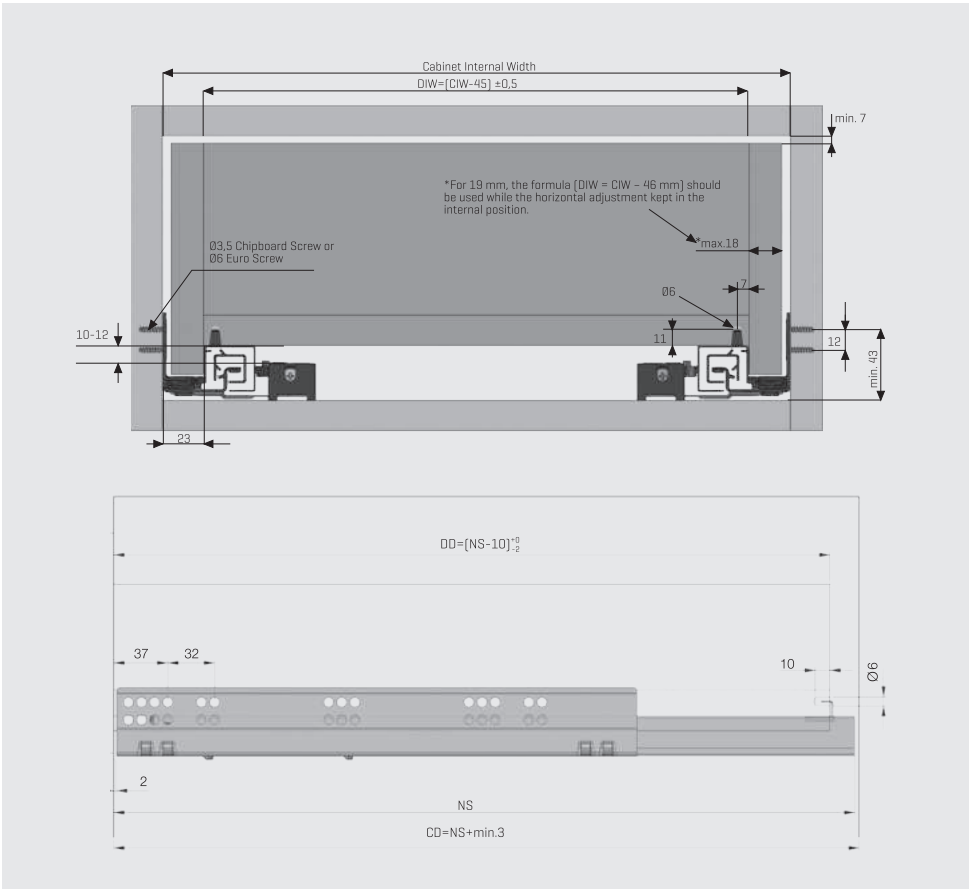
Drawer and Cabinet Dimensions S-C



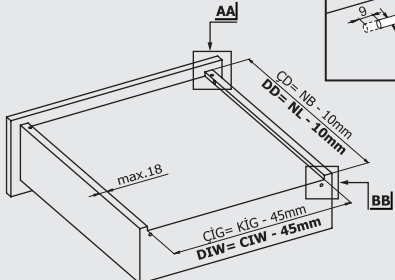
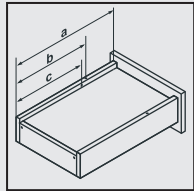
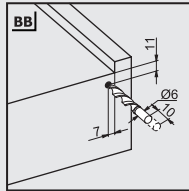
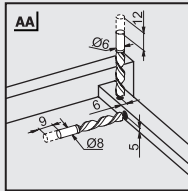
Lock - Fix Drilling Holes



Drawer and Cabinet Dimensions P-0

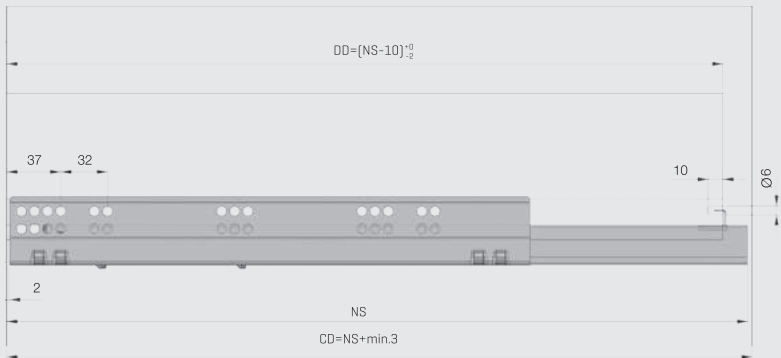
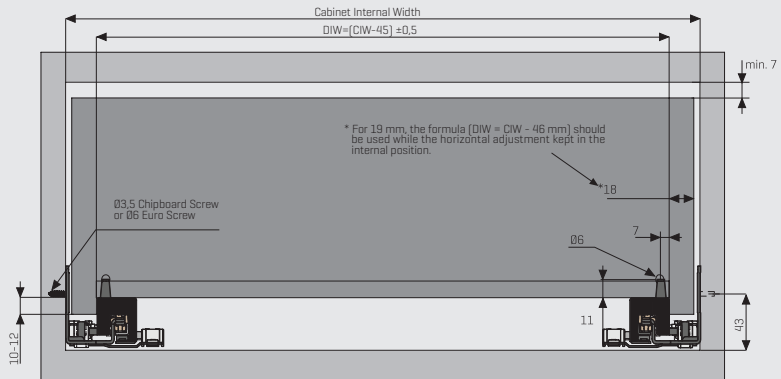


Pin - Fix Drilling Holes



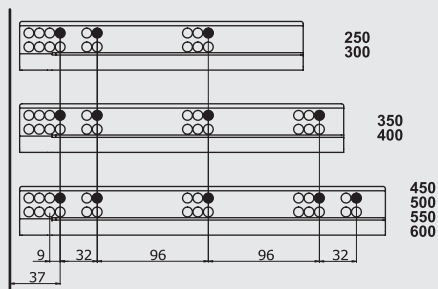
Nominal Length NL (mm)	Drawer Depth a (mm)	Pin b (mm)	Safety Pin c (mm)
250	240	221	201
300	290	271	251
350	340	321	301
400	390	371	351
450	440	421	401
500	490	471	451
550	540	521	501
600	590	571	551

Drawer and Cabinet Dimensions P-0 & S-C



Screw Location for the Slides

Screw the slide from marked holes.



Full Extension Soft Close Lock Fix

Smart Slide Drawer Slide Right-Left		
NOMINAL SIZE	CODE	PACKING
250 mm	127240231	6 Set
300 mm	127240232	6 Set
350 mm	127240233	6 Set
400 mm	127240234	6 Set
450 mm	127240235	6 Set
500 mm	127240236	6 Set
550 mm	127240237	6 Set
600 mm	127240238	6 Set

Full Extension Soft Close Pin Fix

Smart Slide Drawer Slide Right-Left		
NOMINAL SIZE	CODE	PACKING
250 mm	127240241	6 Set
300 mm	127240242	6 Set
350 mm	127240243	6 Set
400 mm	127240244	6 Set
450 mm	127240245	6 Set
500 mm	127240246	6 Set
550 mm	127240247	6 Set
600 mm	127240248	6 Set

Full Extension Push-Open Lock Fix

Smart Slide Drawer Slide Right-Left		
NOMINAL SIZE	CODE	PACKING
250 mm	127210421	6 Set
300 mm	127210422	6 Set
350 mm	127210423	6 Set
400 mm	127210424	6 Set
450 mm	127210425	6 Set
500 mm	127210426	6 Set
550 mm	127210427	6 Set
600 mm	127210428	6 Set

SmartLock® Right-Left		
CODE Right	CODE Left	PACKING
12790773	12790774	120 Pcs

Full Extension Push-Open Pin Fix

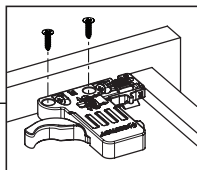
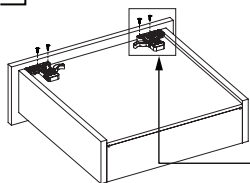
Smart Slide Drawer Slide Right-Left		
NOMINAL SIZE	CODE	PACKING
250 mm	127210411	6 Set
300 mm	127210412	6 Set
350 mm	127210413	6 Set
400 mm	127210414	6 Set
450 mm	127210415	6 Set
500 mm	127210416	6 Set
550 mm	127210417	6 Set
600 mm	127210418	6 Set

Full Extension Push-Open - Soft Close Lock Fix

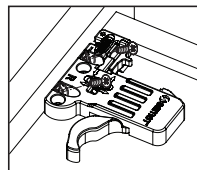
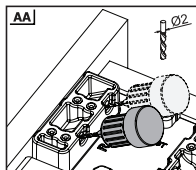
Smart Slide Drawer Slide Right-Left		
NOMINAL SIZE	CODE	PACKING
350 mm	127230303	6 Set
400 mm	127230304	6 Set
450 mm	127230305	6 Set
500 mm	127230306	6 Set
550 mm	127230307	6 Set
600 mm	127230308	6 Set

LOCK - FIX ASSEMBLY INSTRUCTIONS

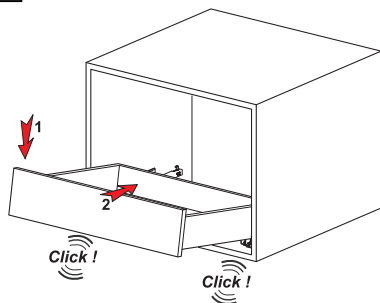
1



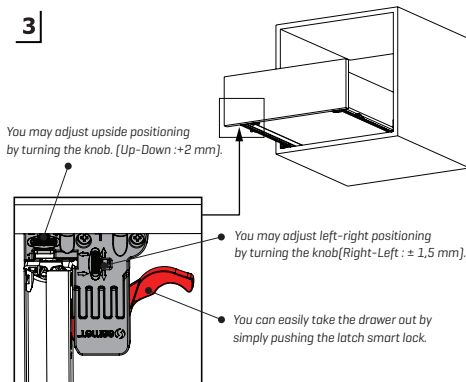
Note: Use angled holes to mount smart lock when wooden floor width is selected less than 12 mm.



2

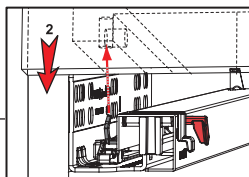
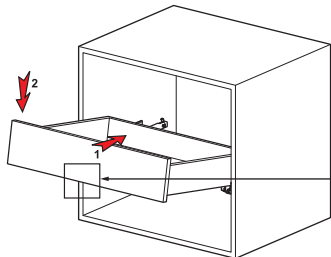


3



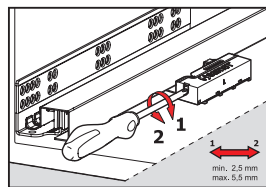
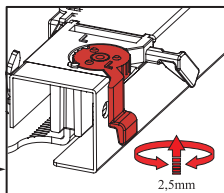
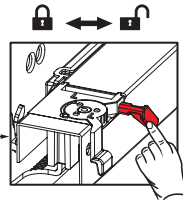
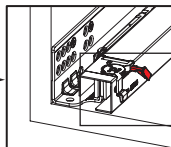
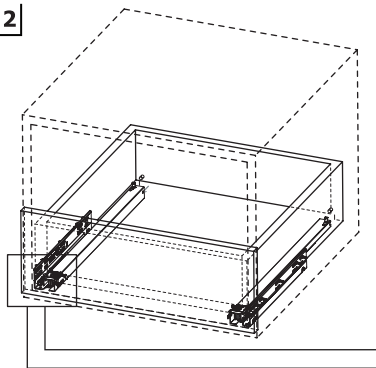
PIN - FIX ASSEMBLY INSTRUCTIONS

1



Important!!!
Make sure keep the safety pin open before the drawer is placed.

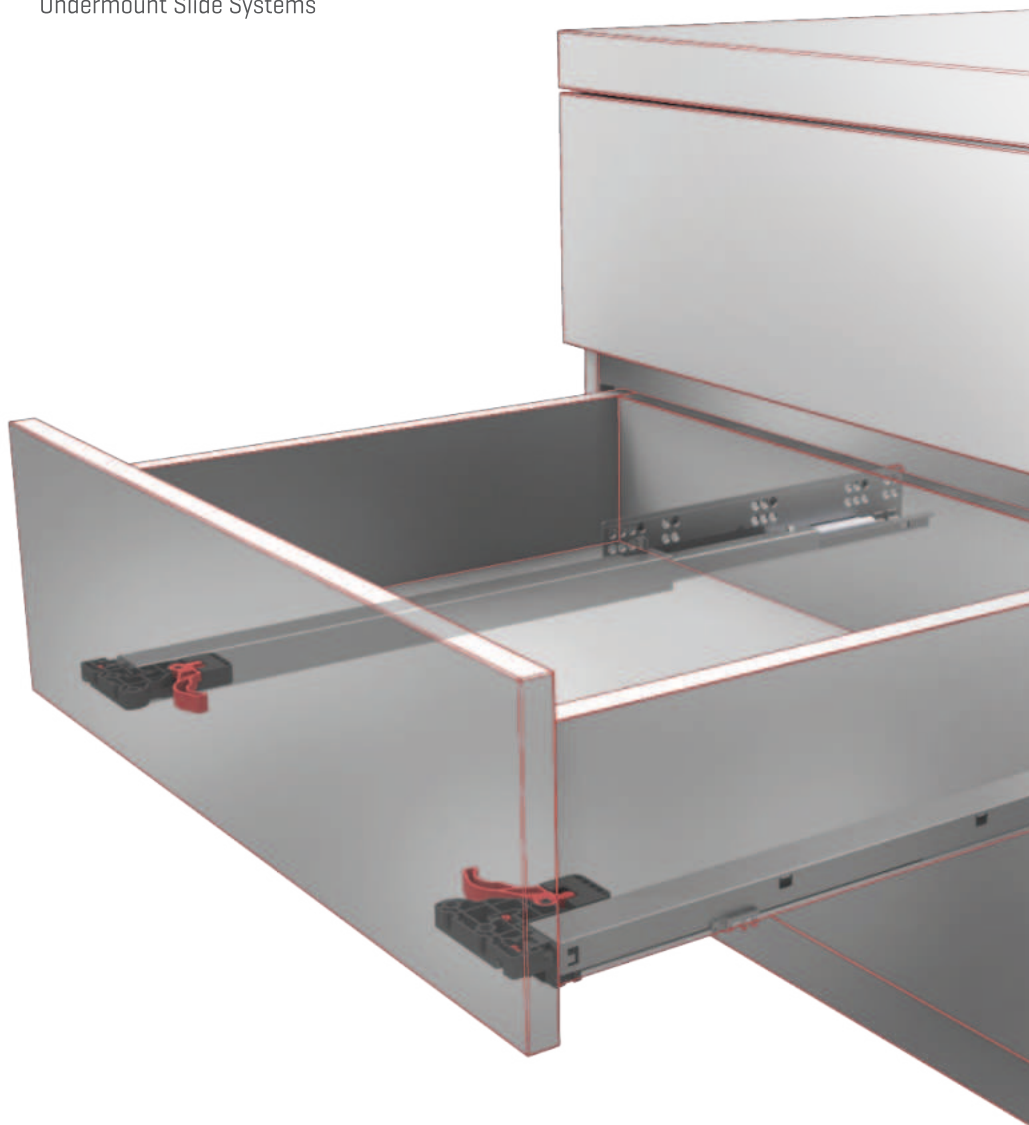
2



min. 2.5 mm
max. 5.5 mm

SMARTFULL


Undermount Slide Systems




samet




www.sametglobal.com

 sametinternational

 samet_global

 SametGroup

 Samet Kalıp ve Madeni Eşya San. ve Tic. A.Ş.