

 **samet**

sliding
DOOR SYSTEMS

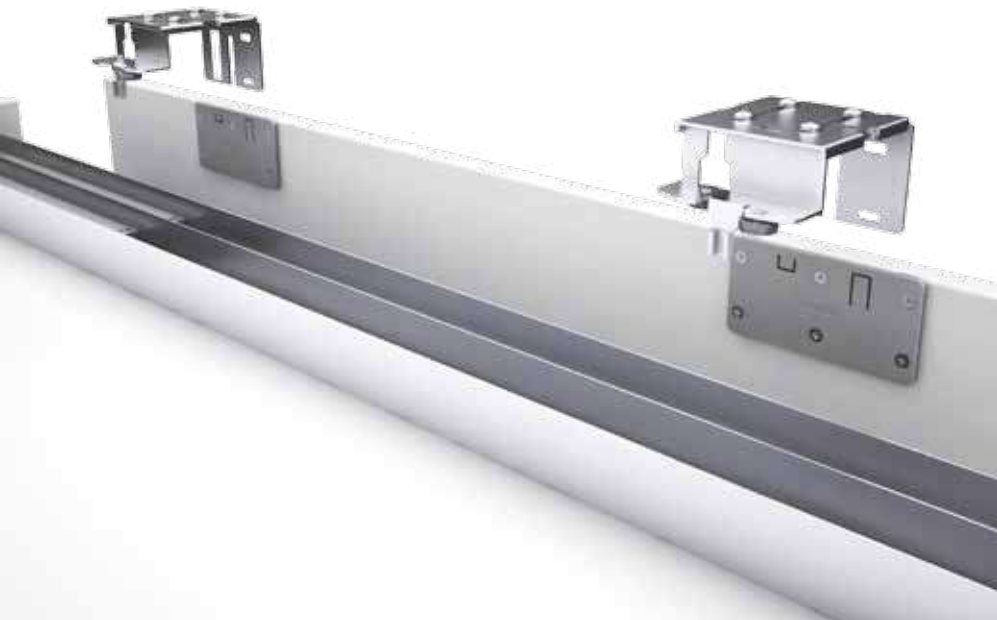




NEW

SMT 110⁺ PLUS

- Easy assembly and disassembly the doors with the easy assembly kit.
- Excellent Soft Close System
- Compact and light design
- Custom wheel material for silent function
- 80 kg carrying capacity
- High quality bearing wheels
- Suitable for different cover thicknesses with adjustable external and internal cover mechanism
- Suitable for cover thickness up from 18 mm up to 50 mm
- 20 mm inner top mechanism adjustment feature
- Locking item is used for stability
- Suitable hole sizes for mass production



Product is sold as a set.

- Soft-Close mechanism is included in set.
- Upper rail operates with double lower rail.

Upper Guided Sliding Door System

Standard Set Includes



	Adjustable Lower Wheel Mechanism	External Top Mechanism	Internal Top Mechanism	Soft-Close Mechanism	Safety Stopper	Brake Connection Elements	Easy Assembly Kit
SET CODE	PIECE	PIECE	PIECE	PIECE	PIECE	PIECE	PIECE
128009126 2 Door	4	2	2	4	4	8	4
128009127 3 Door - 2 Inner +1 Outer Door	6	2	4	4	6	8	6
128009128 3 Door - 2 Outer+1 Inner Door	6	4	2	4	6	8	6
128009129 4 Door- 2 Outer+2 Inner Door	8	4	4	4	8	8	8

Mechanisms

DESCRIPTION	CODE	UNIT
SMT110 Plus Upper Guided Sliding Door System [2 Door]	128009126	1 Set
SMT110 Plus Upper Guided Sliding Door System [3 Door - 2 Inner +1 Outer Door]	128009127	1 Set
SMT110 Plus Upper Guided Sliding Door System [3 Door - 2 Outer+1 Inner Door]	128009128	1 Set
SMT110 Plus Upper Guided Sliding Door System [4 Door- 2 Outer+2 Inner Door]	128009129	1 Set

SMT 110 Plus Upper Guided Sliding Door System Aluminium Upper and Lower Rails



60/75/80 Kg
Aluminium Single Female Lower Rail
1280184411250 - 1280184411300



75 kg Alüminyum Single Female Lower Rail
128018471250 - 128018471300

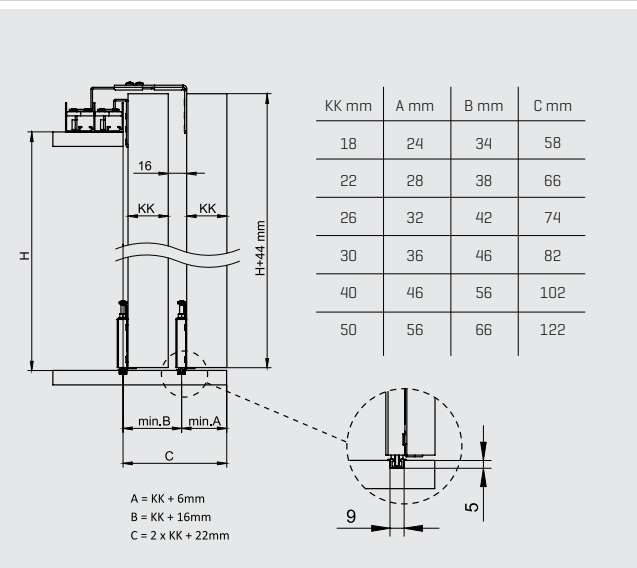


SMT 110/100 Plus Aluminium Upper Rail
1280185711250
1280185711300

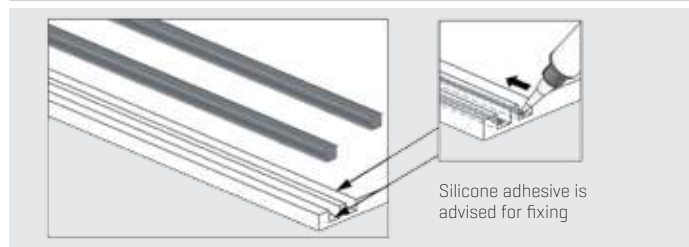
Aluminium Upper and Lower Rails

DESCRIPTION	CODE	LENGTH
SMT 110/100 Plus Aluminium Upper Rail	1280185711250	2500 mm
SMT 110/100 Plus Aluminium Upper Rail	1280185711300	3000 mm
60/75/80 kg Aluminium Single Female Lower Rail	1280184411250	2500 mm
60/75/80 kg Aluminium Single Female Lower Rail	1280184411300	3000 mm
75 kg Alüminyum Single Female Lower Rail	128018471250	2500 mm
75 kg Alüminyum Single Female Lower Rail	128018471300	3000 mm

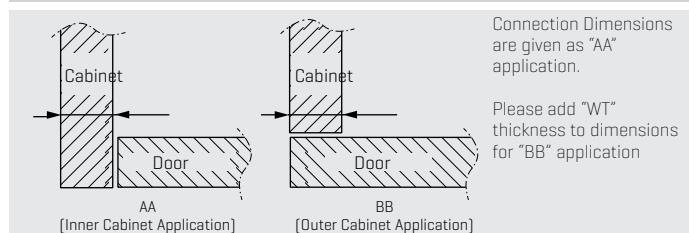
Space Requirement in Cabinet



Bottom Rail Assembly and Fixing



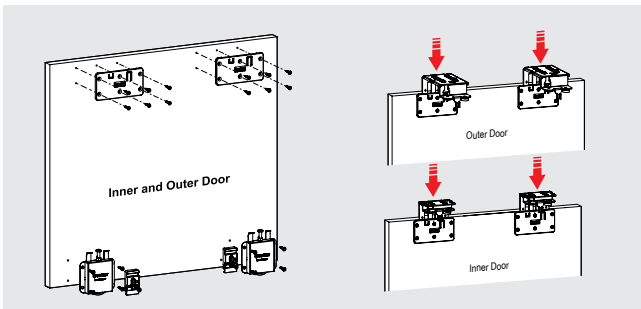
Application Features



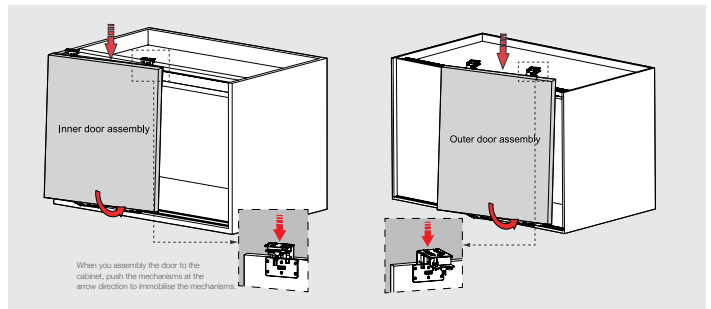
NEW SMT 110⁺ PLUS

Upper Guided Sliding Door System

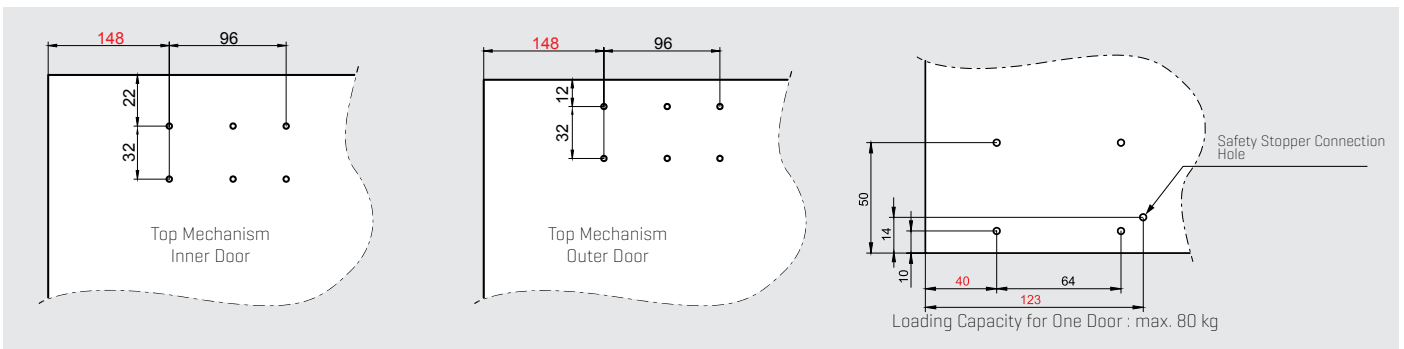
Mechanism Assembly



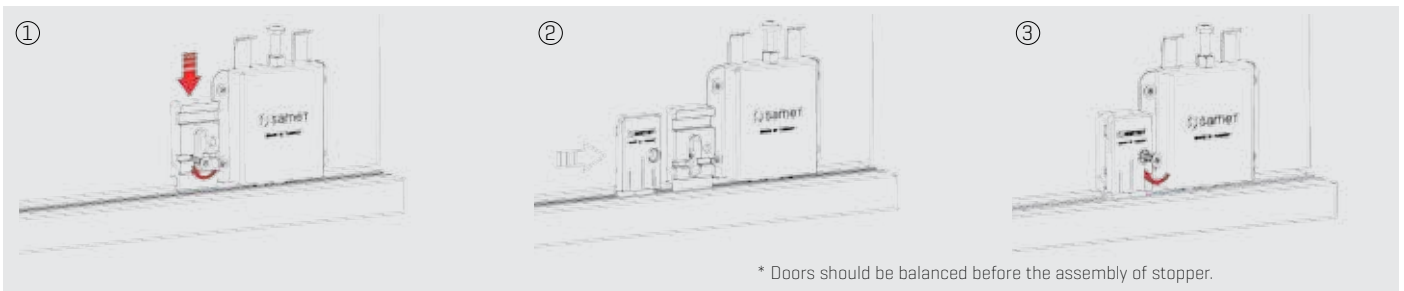
Door Installation and Adjustment



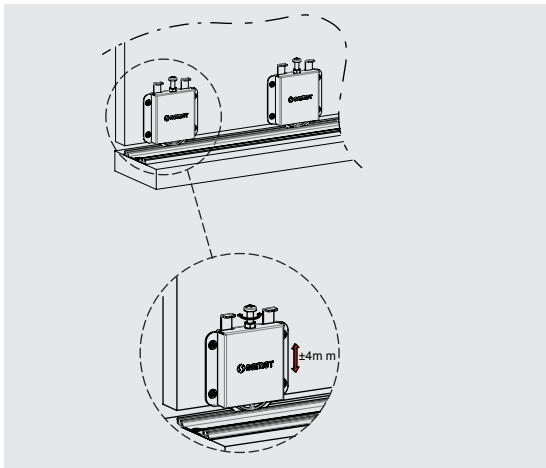
Space Requirement in Cabinet



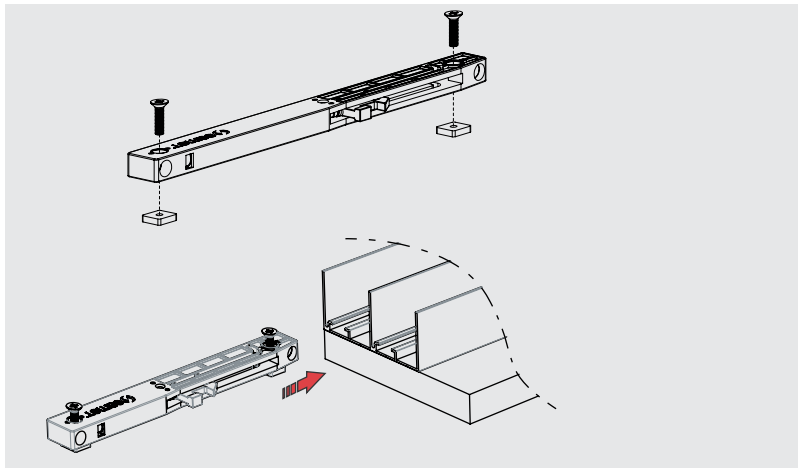
Space Requirement in Cabinet



Adjustment Feature



Soft-Close Mechanism



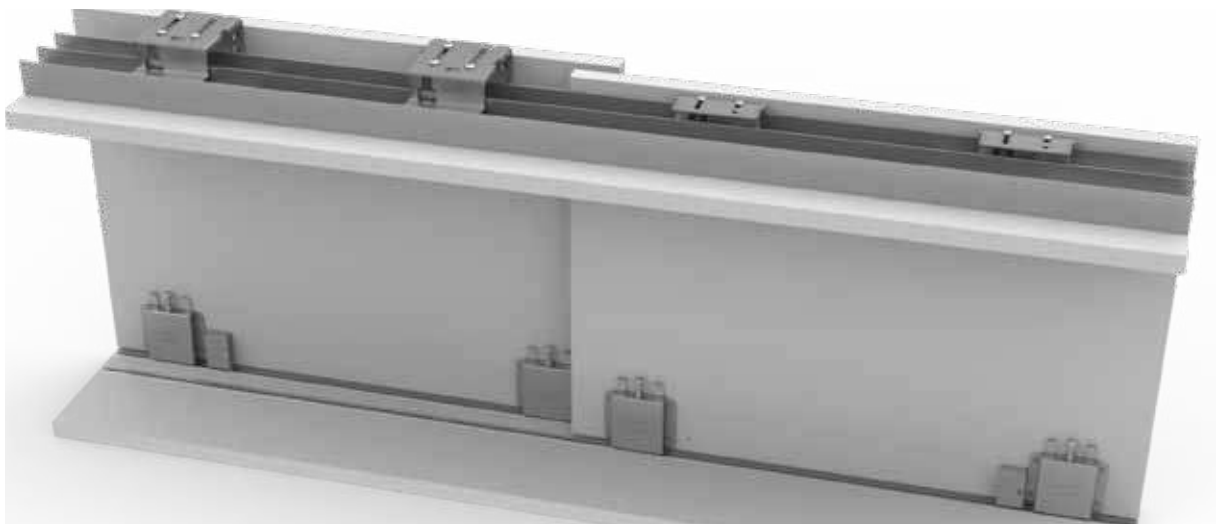


NEW

SMT 100⁺ PLUS

Upper Guided Sliding Door System

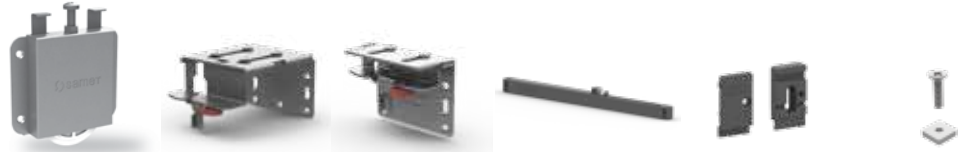
- Easy assembly and disassembly opportunity
- Excellent Soft Close System
- Compact and light design
- Custom wheel material for silent function
- 80 kg carrying capacity
- High quality bearing wheels
- Suitable for different cover thicknesses with adjustable external and internal cover mechanism
- Suitable for cover thickness up from 18 mm up to 50 mm
- 20 mm inner top mechanism adjustment feature
- Locking item is used for stability
- Suitable hole sizes for mass production



Product is sold as a set.

- Soft-Close mechanism is included in set.
- Upper rail operates with double lower rail.

Standard Set Includes



	Adjustable Lower Wheel Mechanism	External Top Mechanism	Internal Top Mechanism	Soft-Close Mechanism	Safety Stopper	Brake Connection Elements
SET CODE	PIECE	PIECE	PIECE	PIECE	PIECE	PIECE
128009116 2 Door	4	2	2	4	4	8
128009111 3 Door - 2 Inner +1 Outer Door	6	2	4	4	6	8
128009121 3 Door - 2 Outer+1 Inner Door	6	4	2	4	6	8
128009131 4 Door - 2 Outer+2 Inner Door	8	4	4	4	8	8

Mechanisms

DESCRIPTION	CODE	UNIT
SMT100 Plus Upper Guided Sliding Door System [2 Door]	128009116	1 Set
SMT100 Plus Upper Guided Sliding Door System [3 Door - 2 Inner +1 Outer Door]	128009111	1 Set
SMT100 Plus Upper Guided Sliding Door System [3 Door - 2 Outer+1 Inner Door]	128009121	1 Set
SMT100 Plus Upper Guided Sliding Door System [4 Door - 2 Outer+2 Inner Door]	128009131	1Set

SMT 100 Plus Upper Guided Sliding Door System Aluminium Upper and Lower Rails



60/75/80 Kg
Aluminium Single Female Lower Rail
1280184411250 - 1280184411300



75 kg Aluminium Single Female Lower Rail
128018471250 - 128018471300

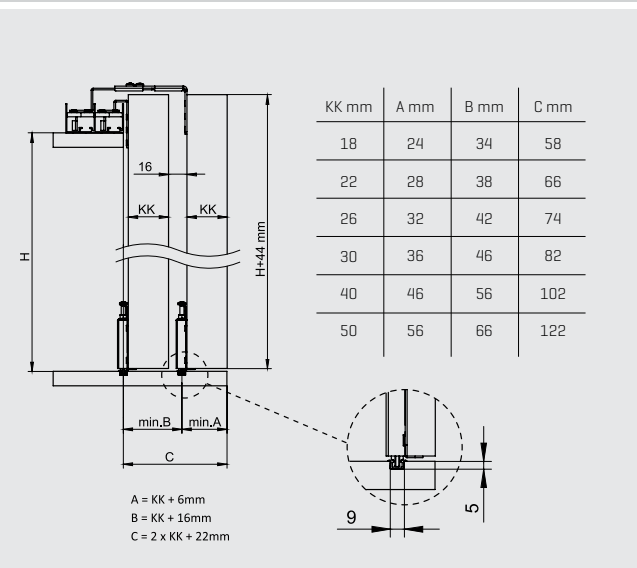


SMT 110/100 Plus Aluminium Upper Rail
1280185711250
1280185711300

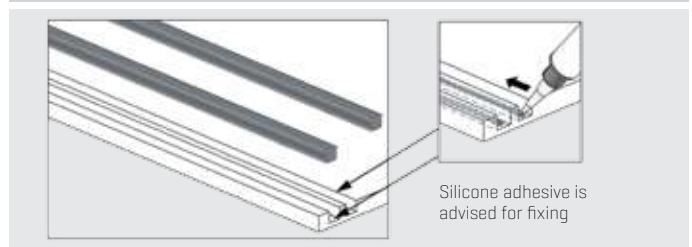
Aluminium Upper and Lower Rails

DESCRIPTION	CODE	LENGTH
SMT 110/100 Plus Aluminium Upper Rail	1280185711250	2500 mm
SMT 110/100 Plus Aluminium Upper Rail	1280185711300	3000 mm
60/75/80 kg Aluminium Single Female Lower Rail	1280184411250	2500 mm
60/75/80 kg Aluminium Single Female Lower Rail	1280184411300	3000 mm
75 kg Aluminium Single Female Lower Rail	128018471250	2500 mm
75 kg Aluminium Single Female Lower Rail	128018471300	3000 mm

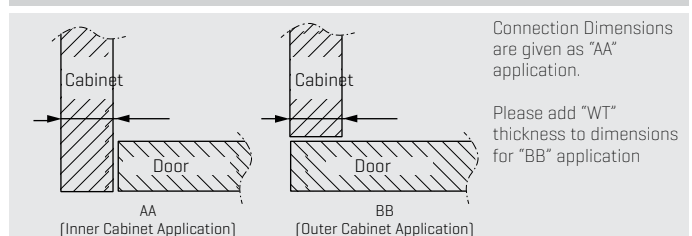
Space Requirement in Cabinet



Bottom Rail Assembly and Fixing



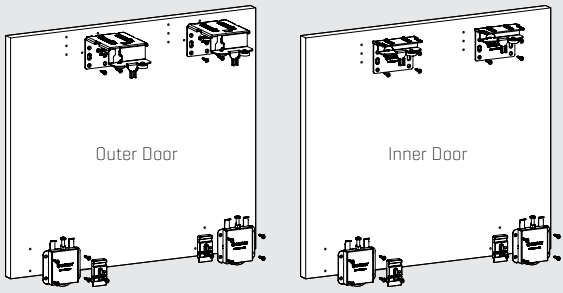
Application Features



NEW SMT 100⁺ PLUS

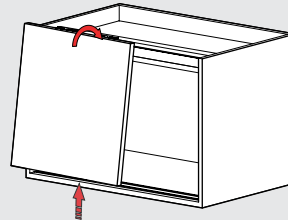
Upper Guided Sliding Door System

Mechanism Assembly

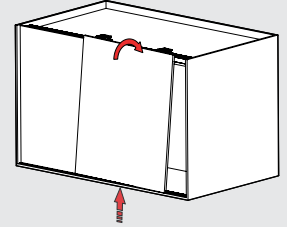


Door Installation and Adjustment

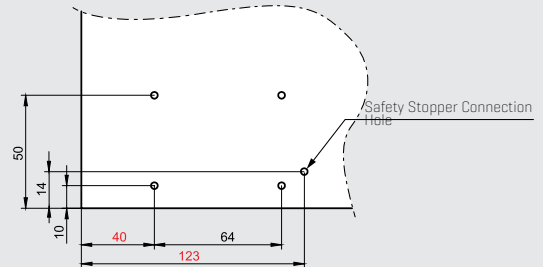
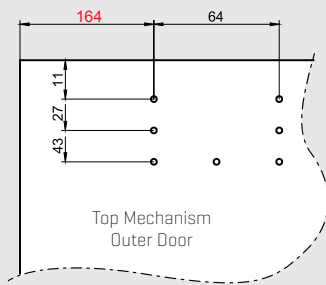
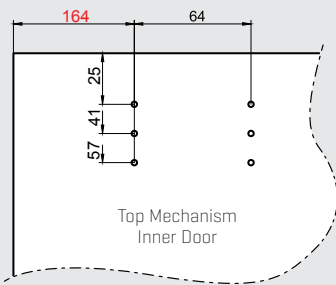
Inner Door Assembly



Outer Door Assembly

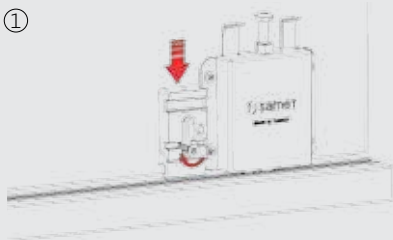


Space Requirement in Cabinet



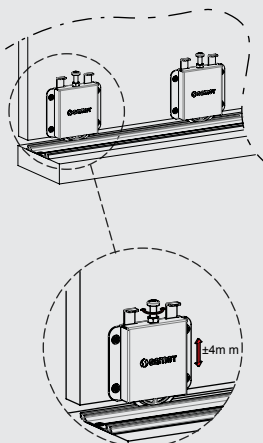
Loading Capacity for One Door : max. 80 kg

Safety Stopper Assembly

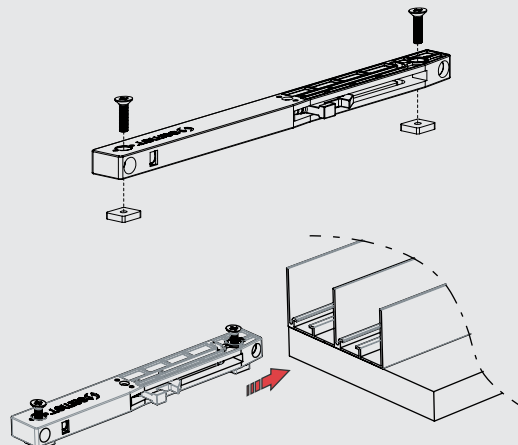


* Doors should be balanced before the assembly of stopper.

Adjustment Feature



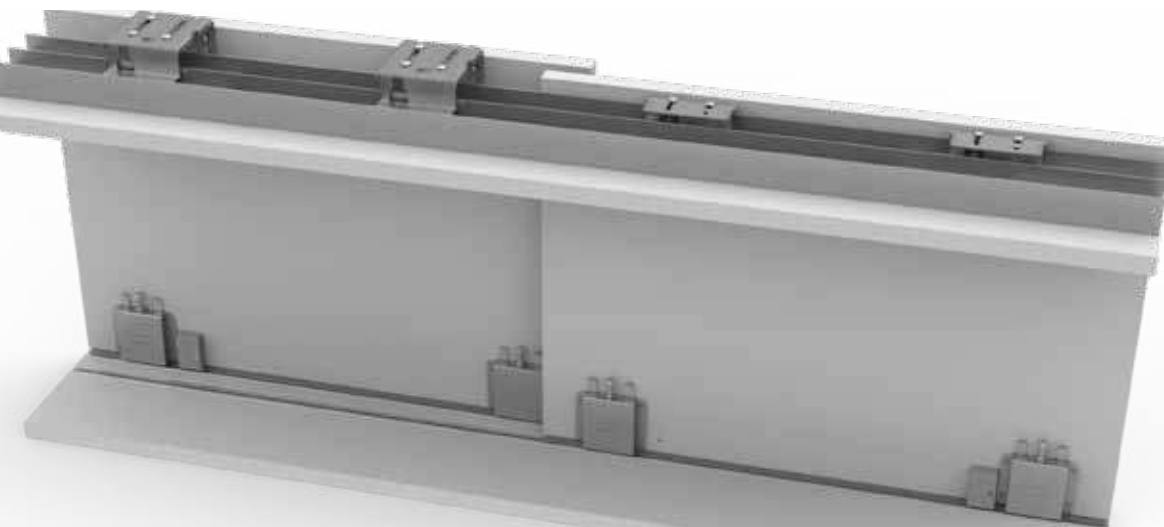
Soft-Close Mechanism



SMT 100

Upper Guided Sliding Door System

- Easy assembly and disassembly opportunity
- Small and elegant brake design
- Compact and light design
- Custom wheel material for silent function
- 80 kg carrying capacity
- High quality bearing wheels
- Suitable for different cover thicknesses with adjustable external and internal cover mechanism
- Suitable for cover thickness up from 18 mm up to 50 mm
- 20 mm inner top mechanism adjustment feature
- Locking item is used for stability
- Suitable hole sizes for mass production



Product is sold as a set.

- Soft-Close mechanism is included in set.
- Upper rail operates with double lower rail.



SMT 100

Upper Guided Sliding Door System

Standard Set Includes



SET CODE	Adjustable Lower Wheel Mechanism	External Top Mechanism	Internal Top Mechanism	Soft-Close Mechanism	Safety Stopper	Brake Connection Elements
128009100 2 Door	PIECE 4	PIECE 2	PIECE 2	PIECE 4	PIECE 4	PIECE 8
128009102 3 Door - 2 Inner +1 Outer Door	PIECE 6	PIECE 2	PIECE 4	PIECE 4	PIECE 6	PIECE 8
128009103 3 Door - 2 Outer+1 Inner Door	PIECE 6	PIECE 4	PIECE 2	PIECE 4	PIECE 6	PIECE 8
128009104 4 Door- 2 Outer+2 Inner Door	PIECE 8	PIECE 4	PIECE 4	PIECE 4	PIECE 8	PIECE 8

Mechanisms

DESCRIPTION	CODE	UNIT
SMT100 Upper Guided Sliding Door System (2 Door)	128009100	1 Set
SMT100 Upper Guided Sliding Door System (3 Door - 2 Inner +1 Outer Door)	128009102	1 Set
SMT100 Upper Guided Sliding Door System (3 Door - 2 Outer+1 Inner Door)	128009103	1 Set
SMT100 Upper Guided Sliding Door System (4 Door- 2 Outer+2 Inner Door)	128009104	1 Set

SMT 100 Upper Guided Sliding Door System Aluminium Upper and Lower Rails



60/75/80 Kg
Aluminium Single Female Lower Rail
1280184411250 - 1280184411300



75 kg Alüminyum Single Female Lower Rail
128018471250 - 128018471300

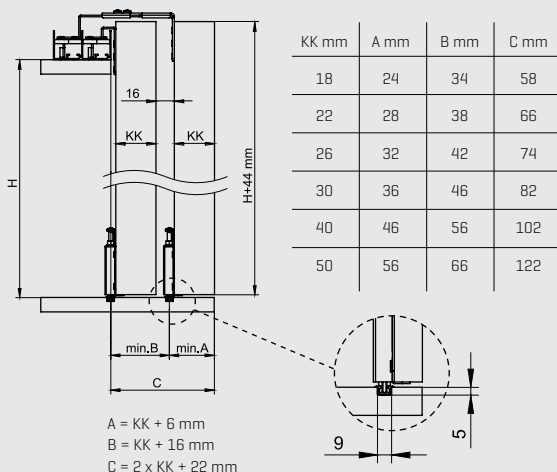


SMT 110/100 Plus Aluminium Upper Rail
1280185711250
1280185711300

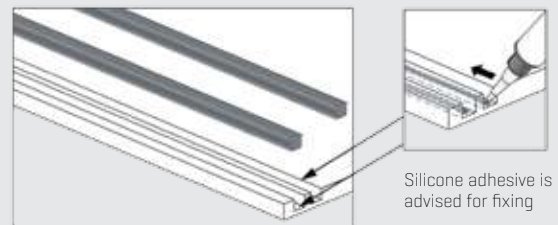
Aluminium Upper and Lower Rails

DESCRIPTION	CODE	LENGTH
SMT 110/100 Plus Aluminium Upper Rail	1280185711250	2500 mm
SMT 110/100 Plus Aluminium Upper Rail	1280185711300	3000 mm
60/75/80 kg Aluminium Single Female Lower Rail	1280184411250	2500 mm
60/75/80 kg Aluminium Single Female Lower Rail	1280184411300	3000 mm
75 kg Alüminyum Single Female Lower Rail	128018471250	2500 mm
75 kg Alüminyum Single Female Lower Rail	128018471300	3000 mm

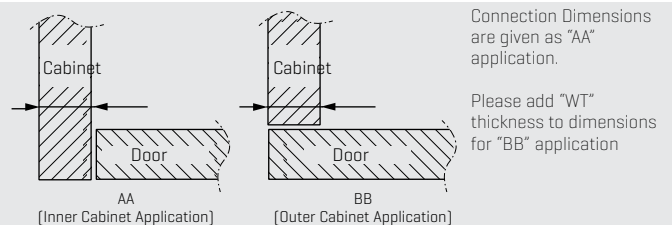
Space Requirement in Cabinet



Bottom Rail Assembly and Fixing



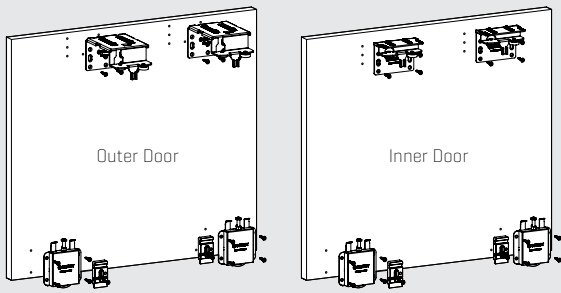
Application Features



SMT 100

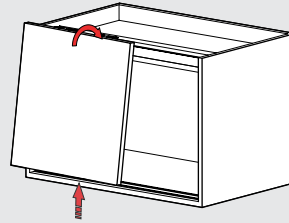
Upper Guided Sliding Door System

Mechanism Assembly

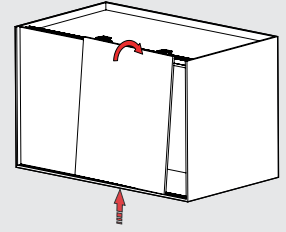


Door Installation and Adjustment

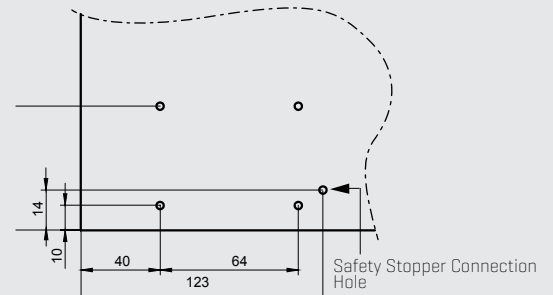
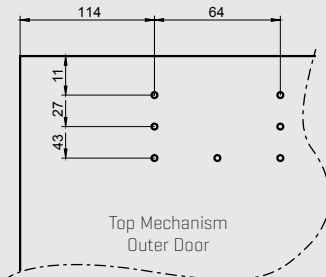
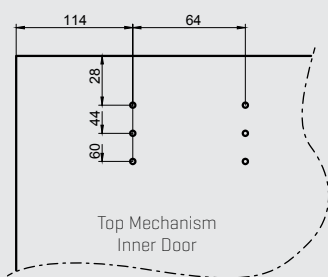
Inner Door Assembly



Outer Door Assembly

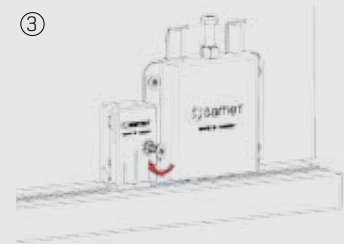
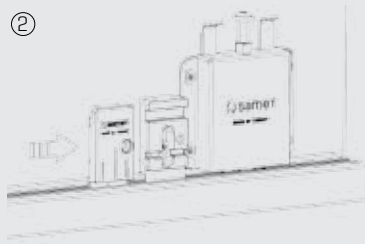
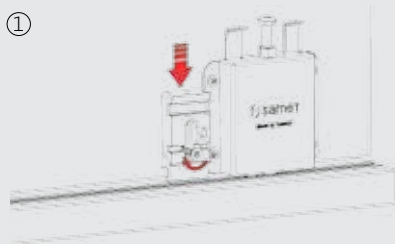


Space Requirement in Cabinet



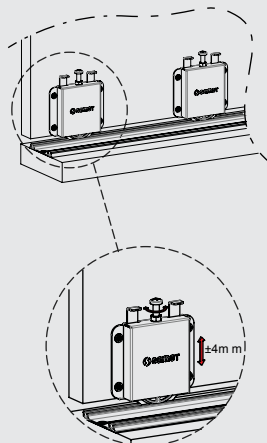
Loading Capacity for One Door : max. 80 kg

Safety Stopper Assembly

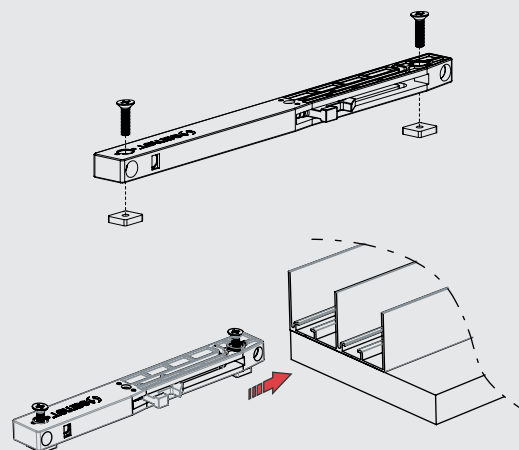


* Doors should be balanced before the assembly of stopper.

Adjustment Feature



Soft-Close Mechanism



SMT 500

Upper Mounted Sliding Door System

- Easily assembly and disassembly opportunity
- Long life and silent function
- High quality bearing wheels
- 50 kg carrying capacity
- Adjustable and nonadjustable alternatives
- 7 mm adjustment
- Suitable for cover thickness up to 22 mm
- Left and right usage of soft close mechanisms



Packaging

Product inner door set and product outer door set sell separately.

- 1 set inner and 1 set outer door mechanism for 1 cabinet.
- Soft-close mechanism is not include in set.
- There are 12 sets in 1 package.

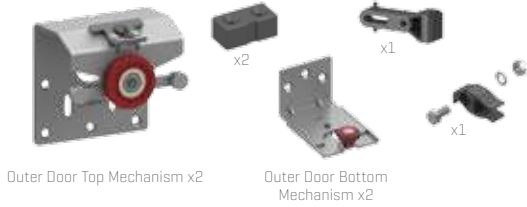


SMT 500

Upper Mounted Sliding Door System

Standard Set Includes

Outer Door Mechanism



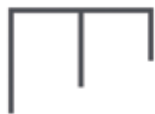
Inner Door Mechanism



Aluminium Upper and Lower Rails



SMT500 Upper Hanger Rail
1280185811250 - 1280185811300



SMT500 Lower Rail
1280185821250 - 1280185821300

Optional



Mechanisms

DESCRIPTION	CODE	UNIT
SMT 500 Non-Adjustable Upper Mounted Rear Door Mechanism	12800952	Set
SMT 500 Upper Mounted Front Door Mechanism	12800953	Set
SMT 500 Soft-Close Mechanism	1280111	Set

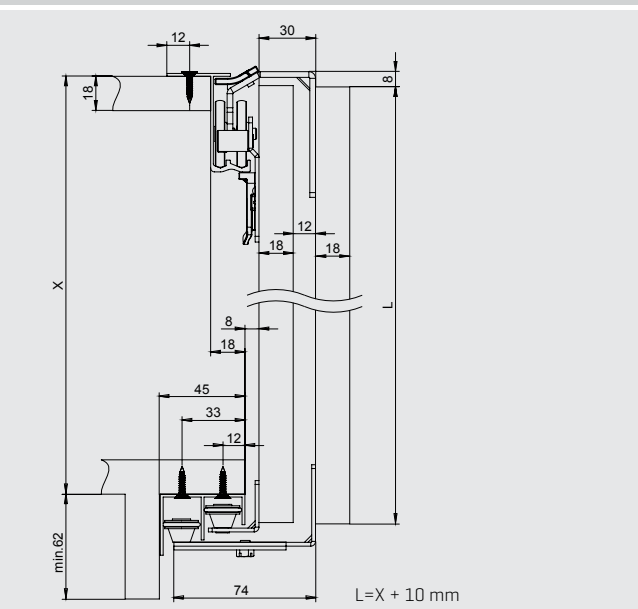
Upper Rails

DESCRIPTION	CODE	LENGTH
SMT500 Upper Hanger Rail	1280185811250	2500 mm
SMT500 Upper Hanger Rail	1280185811300	3000 mm

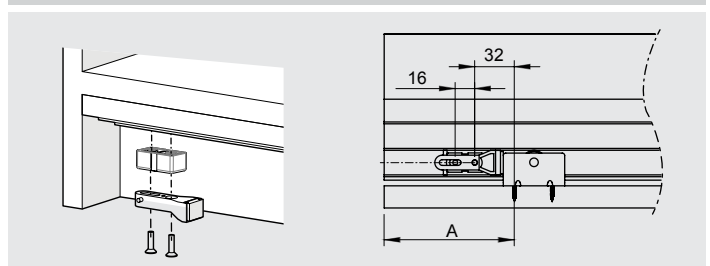
Lower Rails

DESCRIPTION	CODE	LENGTH
SMT500 Lower Rail	1280185821250	2500 mm
SMT500 Lower Rail	1280185821300	3000 mm

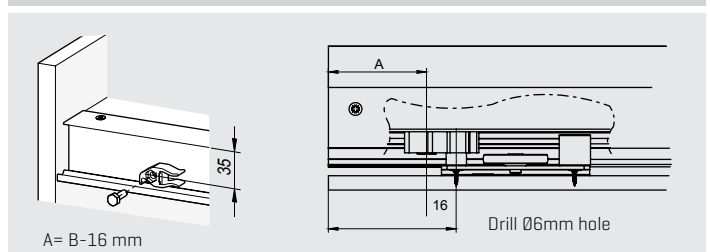
Space Requirement in Cabinet



Bottom Stopper Assembly



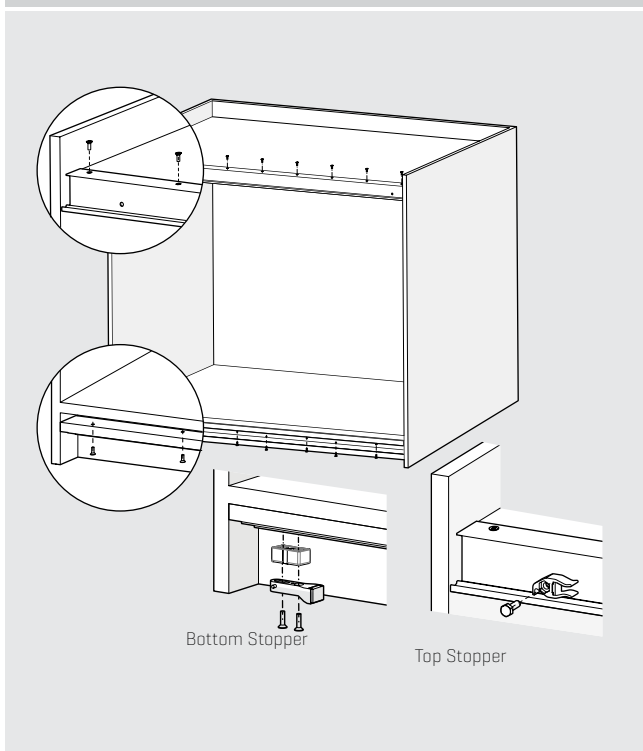
Top Stopper Assembly



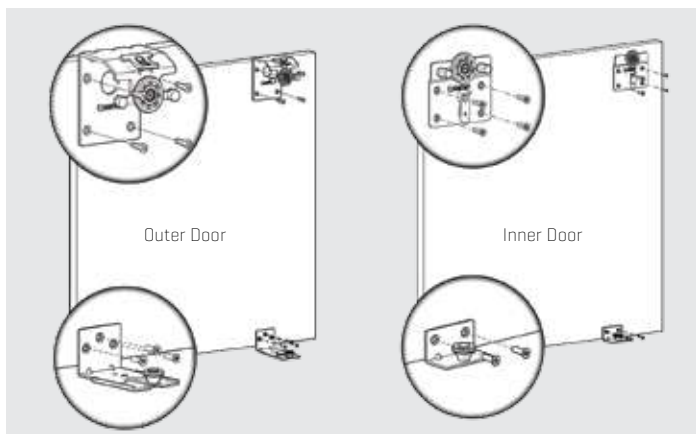
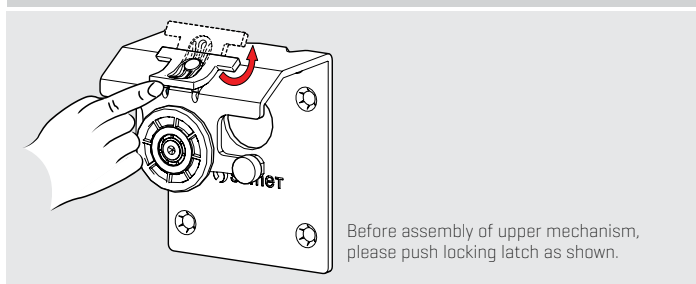
SMT 500

Upper Mounted Sliding Door System

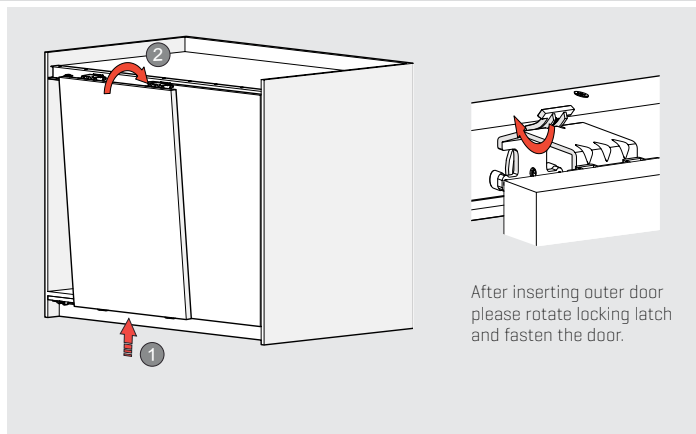
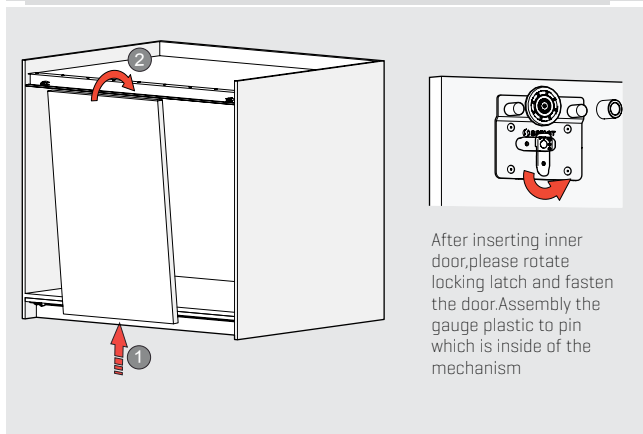
Top and Bottom Rail Assembly



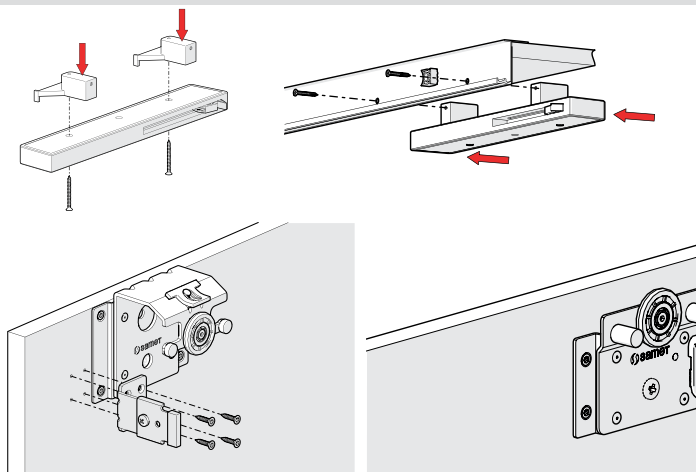
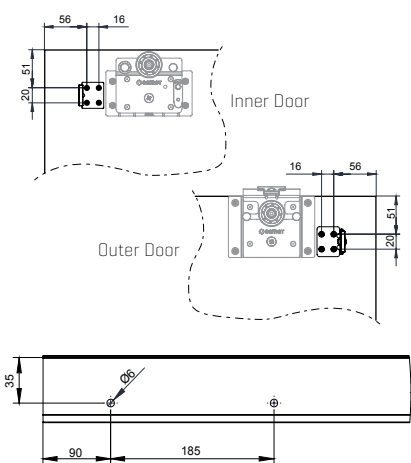
Mechanisms in Door Installation and Adjustment



Assembly of Doors



Soft-Close Mechanism Assembly

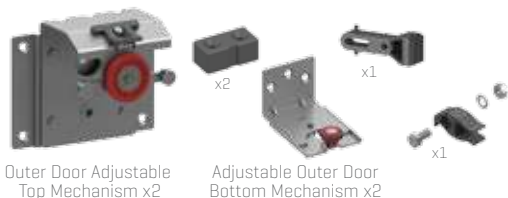


SMT 500 ADJUSTABLE

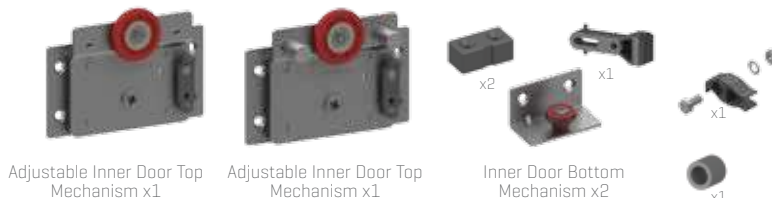
Upper Mounted Sliding Door System

Standard Set Includes

Outer Door Mechanism



Inner Door Mechanism



Aluminium Upper and Lower Rails

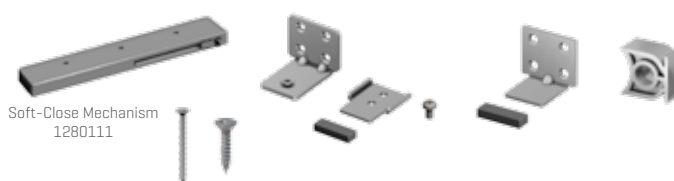


SMT500 Upper Hanger Rail
1280185811250 - 1280185811300



SMT500 Lower Rail
1280185821250 - 1280185821300

Optional



Mechanisms

DESCRIPTION	CODE	UNIT
SMT 500 Adjustable Upper Mounted Rear Door Mechanism	12800950	Set
SMT 500 Adjustable Upper Mounted Front Door Mechanism	12800951	Set
SMT 500 Airbrake Soft-Close Mechanism	1280111	Set

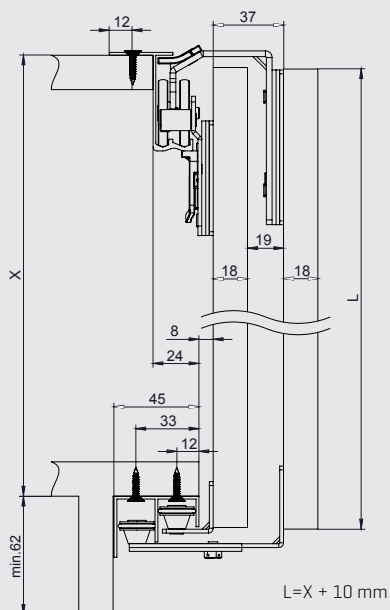
Upper Rails

DESCRIPTION	CODE	LENGTH
SMT500 Upper Hanger Rail	1280185811250	2500 mm
SMT500 Upper Hanger Rail	1280185811300	3000 mm

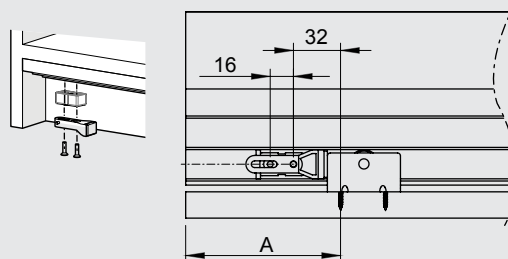
Lower Rails

DESCRIPTION	CODE	LENGTH
SMT500 Lower Rail	1280185821250	2500 mm
SMT500 Lower Rail	1280185821300	3000 mm

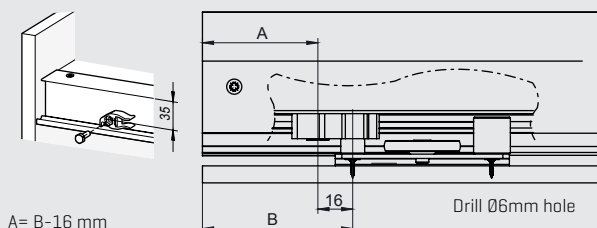
Space Requirement in Cabinet



Bottom Stopper Assembly



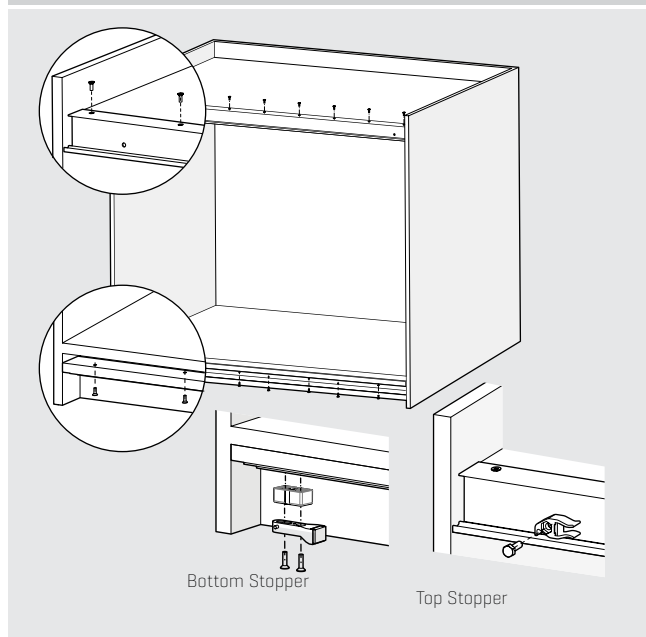
Top Stopper Assembly



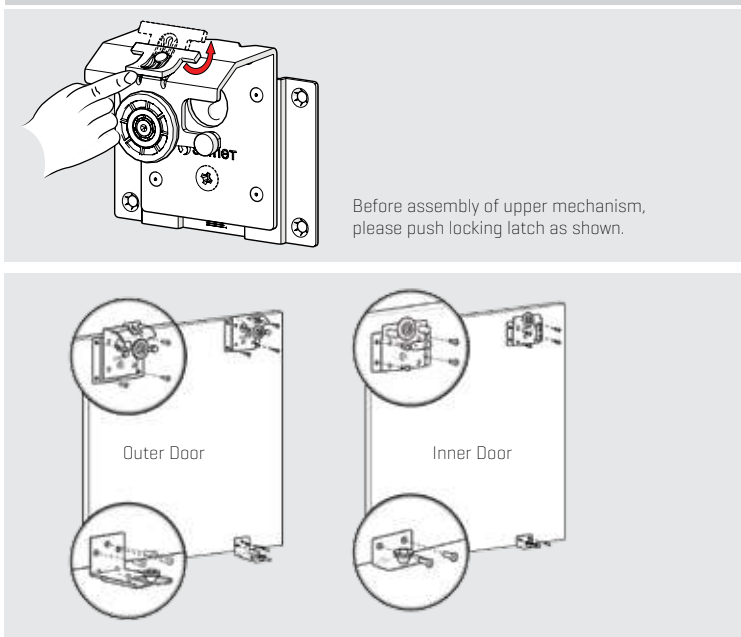
SMT 500 ADJUSTABLE

Upper Mounted Sliding Door System

Top and Bottom Rail Assembly

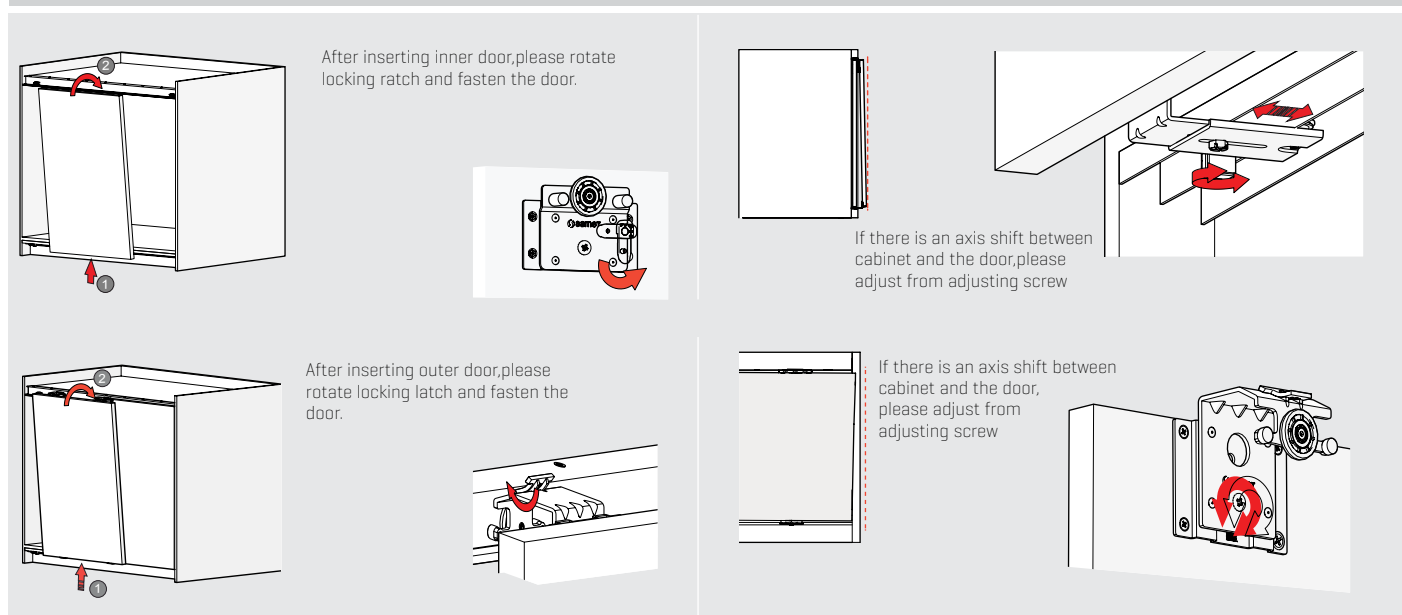


Mechanisms in Door Installation and Adjustment



Before assembly of upper mechanism, please push locking latch as shown.

Assembly of Doors



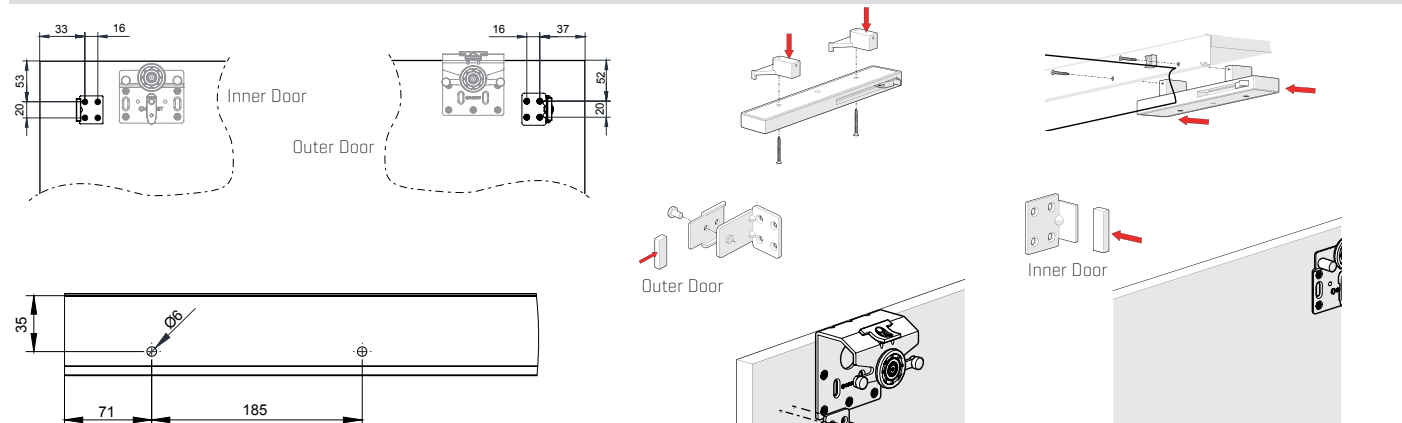
After inserting inner door, please rotate locking latch and fasten the door.

If there is an axis shift between cabinet and the door, please adjust from adjusting screw

After inserting outer door, please rotate locking latch and fasten the door.

If there is an axis shift between cabinet and the door, please adjust from adjusting screw

Soft-Close Mechanism Assembly







SMT 75T

Adjustable Tween Sliding Door Mechanism

- 75 kg carrying capacity
- Smoothly and silently running
- 8 mm upwards/downwards adjustability

Packaging

- There are 24 sets in a package.
- There are 4 mechanisms in a set.
- Soft-close mechanism is not include in set.



SMT 75T ADJUSTABLE

Adjustable Tween Sliding Door Mechanism



Standard Set Includes



Adjustable Wheel Mechanism x4

Optional



Soft-Close Mechanism
1280109

Aluminium Upper and Lower Rails



60/75/80 kg Aluminium Single
Female Lower Rail
1280184411250
1280184411300



75 kg Alu.Lux Double Female
Rail+Cover
1280184421250
1280184421300



75 kg Alu.Eco.Double Female
Rail
1280184821250
1280184821300



75 kg Alu. Single Female Rail
128018471250
128018471300



Flat Series Alu.Double Female
Rail +Cover
1280184011250
1280184011300

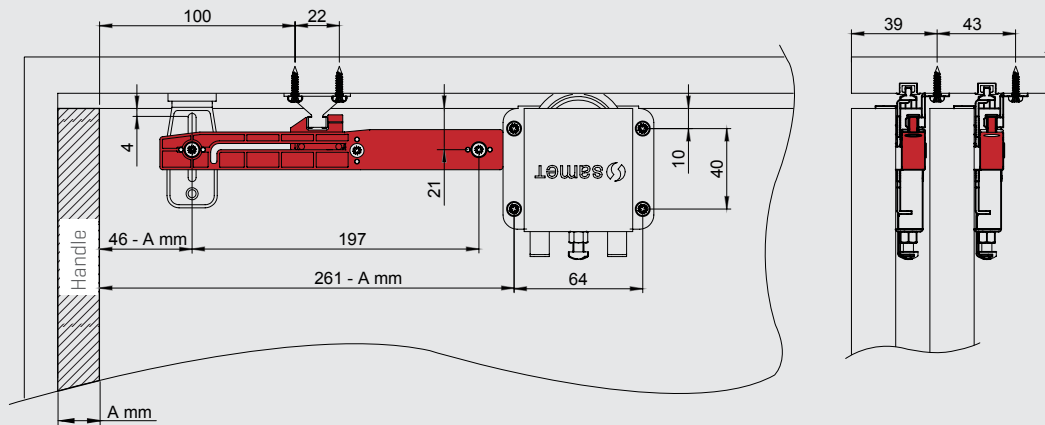
It can not be used with 22 mm door thickness.

75 kg Adjustable Tween Sliding Door Mechanism

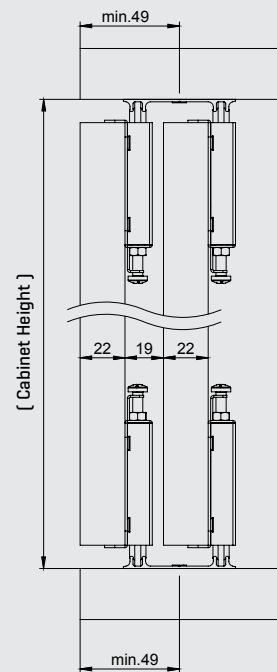
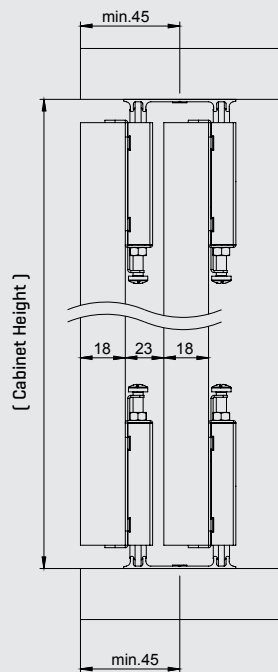
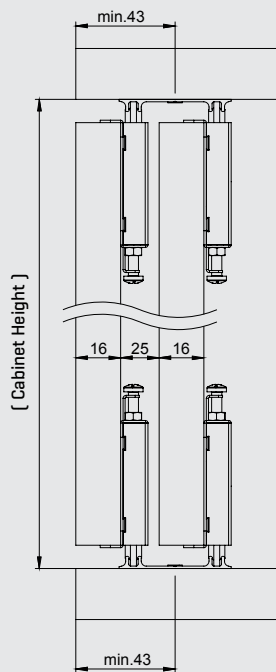
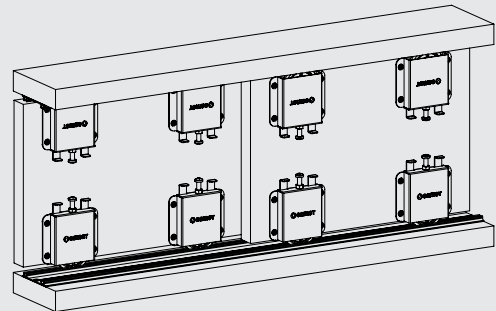
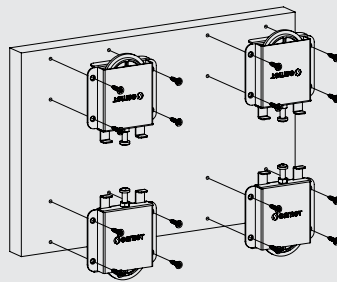
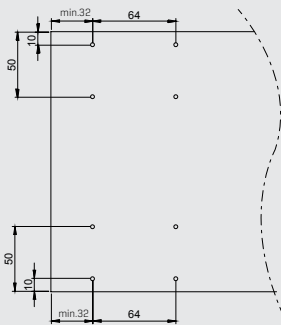
DESCRIPTION	CODE	FOR ONE DOOR	PACKAGE
SMT 75 T Adjustable Tween Sliding Door Mechanism Mekanizması	12800975T	1 Set	1 Door Set/Cartron-96 Door Set/Box
75 kg Soft-Close Mechanism	1280109	1 Set	1 Set/Cartron-48 Set/Box

Lower / Upper Rails

DESCRIPTION	CODE	LENGTH	PACKAGE
60, 75, 80 kg Aluminium Single Female Lower Rail	1280184411250	2,5 mt / Length	24 Pcs/Box
60, 75, 80 kg Aluminium Single Female Lower Rail	1280184411300	3 mt / Length	24 Pcs/Box
75 kg Alu.Lux Female Double Rail	1280184421250	2,5 mt / Length	12 Pcs/Box
75 kg Alu.Lux Female Double Rail	1280184421300	3 mt / Length	12 Pcs/Box
75 kg Alu.Eco Female Double Rail	1280184821250	2,5 mt / Length	12 Pcs/Box
75 kg Alu.Eco Female Double Rail	1280184821300	3 mt / Length	12 Pcs/Box
75 kg Aluminium Single Female Lower Rail	128018471250	2,5 mt / Length	48 Pcs/Box
75 kg Aluminium Single Female Lower Rail	128018471300	3 mt / Length	48 Pcs/Box
Flat Series Alu.Double Female Rail+Cover	1280184011250	2,5 mt / Length	12 Pcs/Box
Flat Series Alu.Double Female Rail+Cover	1280184011300	3 mt / Length	12 Pcs/Box



A mm	22 mm	1 mm	4 mm	1 mm	1,5 mm	1,5 mm
	Convex Y Handle	Handle with Groove	Concave Handle	Flat U Handle	Side Stick with Groove	Flat Side Stick
Handle Models						



NOTE: DIMENSIONS SHOWN IN BRACKETS ARE VALID FOR "18 mm" AND "22 mm" DOOR THICKNESSES.



samet.com.tr



facebook.com/SametGroup



twitter.com/SametGroup



linkedin.com: Samet Kalıp ve Madeni Eşya San. ve Tic. A.Ş.