

# STAR

The Classical Hinge



# STAR TRACK

Hinge Systems



**samet**

**Star Hinge**, the classical product of SAMET, provides different solutions with its large product range, meets with customers for many years.

## Perfect Design

**Star Hinge**, which provides different solutions to meet users' needs, steps forward with its simple design, durability and long life structure. Star Hinge provides wide range adjustment option.

## Easy Installation

SAMET developed **Star Hinge** in a way that ensures easy assembly-disassembly of hinge onto mounting plate feature just by using a screwdriver. It simplifies installation process during production.



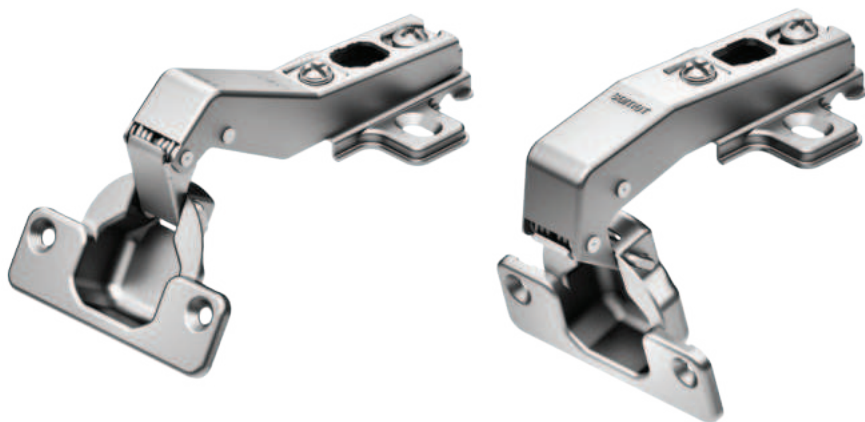
## High Quality

Star Hinge Series were designed with the advanced technology of SAMET R&D Center and produced by using fully - automated robotic production systems.

## Advanced 3D Adjustment with Star Track Hinge System

Wide range 3D adjustment in six direction ensures assembly comfort and better precision for furnitures.





## Special Applications

Star and Star Track Hinge system fulfill customer needs for special applications with 15°, 30°, -30°, 45°, - 45°, 90° degree and 165° opening hinges.

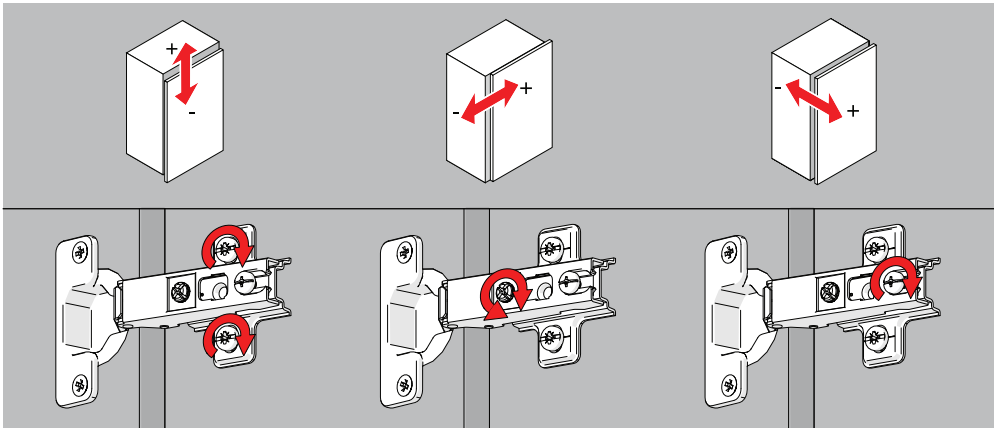
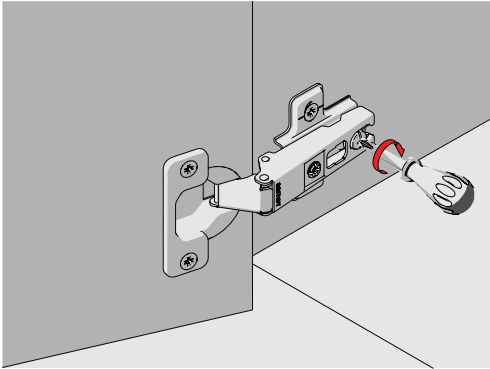
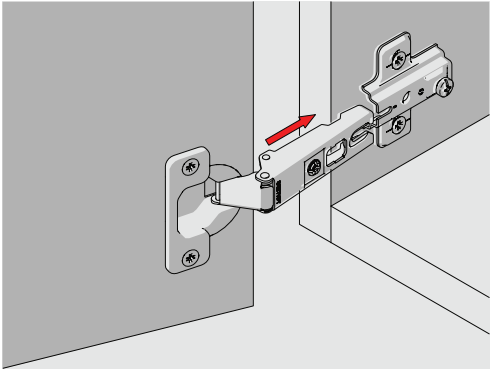
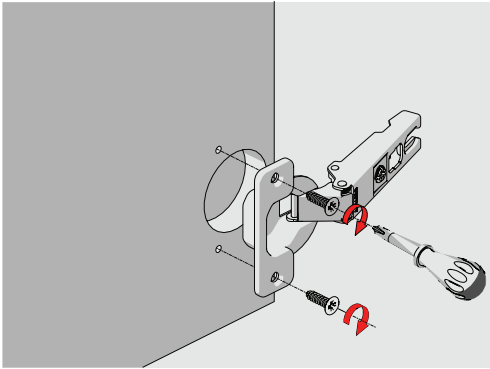
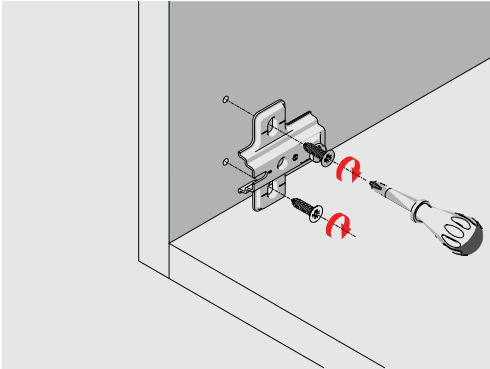
# STAR TRACK Hinge System

**Star Track Hinge**, developed after research and advanced tests carried out by SAMET R&D Center, provides easy and tool free assembling and disassembling of cabinets with a single touch.



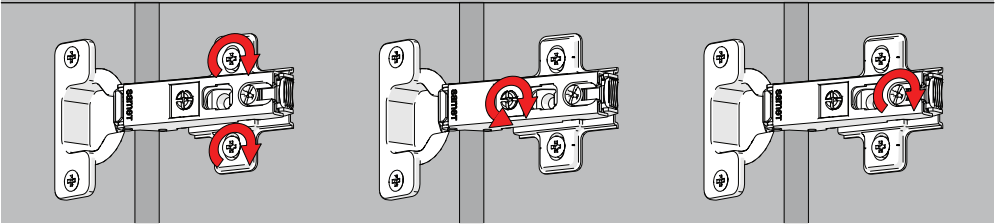
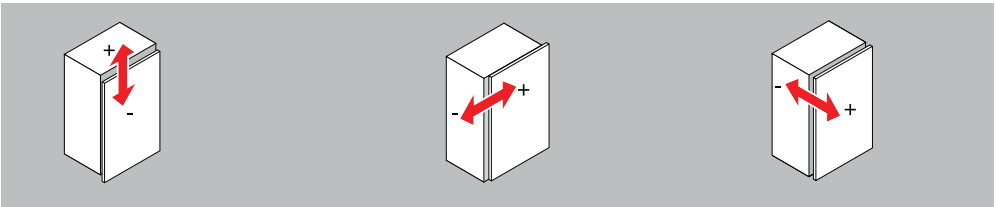
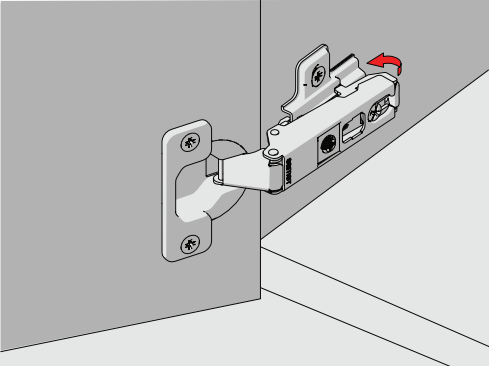
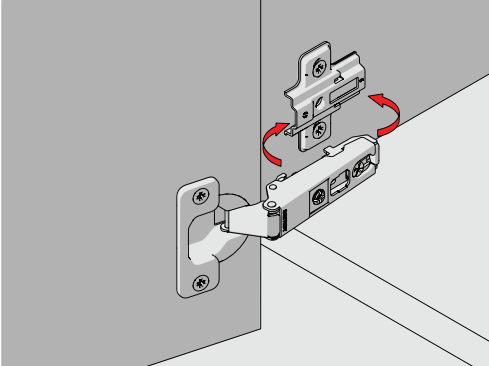
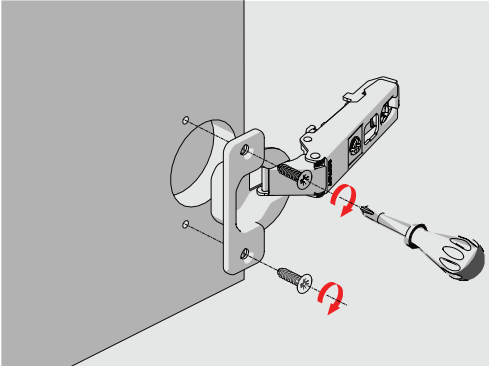
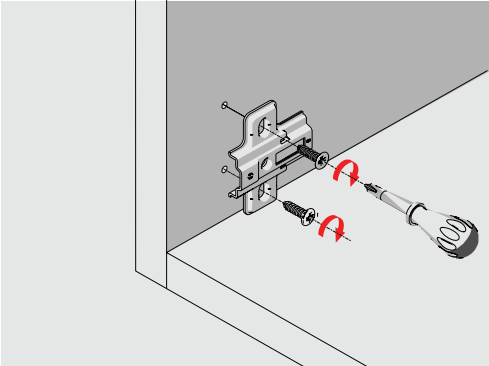
## Technical Specifications Star and Star Track

- Opening Angle : 110° ◀
- Cup Diameter : 35 mm ◀
- Cup Depth : 11,2 mm ◀
- Crank Type : 0-9-18 mm ◀
- Finish : Nickel ◀
- Depth Adj. : ±3 mm ◀
- Side Adj. : +7/-1 mm ◀
- Height Adj. : ±2 mm ◀
- Packaging : 250 Pieces ◀







# STAR TRACK

## Assembly Instructions





Cranking		Crank 0	Cranking		Crank 9	Cranking		Crank 18
DEFINITION	CODE		DEFINITION	CODE	DEFINITION	CODE		CODE
45 Axis	101711Y		45 Axis	101712Y	45 Axis	101713Y		
45 Axis Ø8 Dowel	101751Y		45 Axis Ø8 Dowel	101752Y	45 Axis Ø8 Dowel	101753Y		
45 Axis Ø10 Dowel	101754Y		45 Axis Ø10 Dowel	101755Y	45 Axis Ø10 Dowel	101756Y		
45 Axis Euro Screw	101716Y		45 Axis Euro Screw	101718Y	45 Axis Euro Screw	101734Y		
45 Axis Tool-less	101717Y		45 Axis Tool-less	101719Y	45 Axis Tool-less	101735Y		
45 Axis Easy Fit	1017541Y		45 Axis Easy Fit	1017551Y	45 Axis Easy Fit	1017561Y		
48 Axis	101731Y		48 Axis	101732Y	48 Axis	101733Y		
48 Axis Ø8 Dowel	101771Y		48 Axis Ø8 Dowel	101772Y	48 Axis Ø8 Dowel	101773Y		
48 Axis Ø10 Dowel	101774Y		48 Axis Ø10 Dowel	101775Y	48 Axis Ø10 Dowel	101776Y		
48 Axis Euro Screw	101726Y		48 Axis Euro Screw	101728Y	48 Axis Euro Screw	101736Y		
48 Axis Tool-less	101727Y		48 Axis Tool-less	101729Y	48 Axis Tool-less	101737Y		
48 Axis Easy Fit	1017542Y		48 Axis Easy Fit	1017552Y	48 Axis Easy Fit	1017562Y		
52 Axis	1017113Y		52 Axis	1017123Y	52 Axis	1017133Y		
52 Axis Ø8 Dowel	1017513Y		52 Axis Ø8 Dowel	1017523Y	52 Axis Ø8 Dowel	1017533Y		
52 Axis Ø10 Dowel	1017543Y		52 Axis Ø10 Dowel	1017553Y	52 Axis Ø10 Dowel	1017563Y		
52 Axis Euro Screw	1017163Y		52 Axis Euro Screw	1017183Y	52 Axis Euro Screw	1017343Y		
52 Axis Tool-less	1017173Y		52 Axis Tool-less	1017193Y	52 Axis Tool-less	1017353Y		
52 Axis Easy Fit	1017544Y		52 Axis Easy Fit	1017554Y	52 Axis Easy Fit	1017564Y		

Hinge Cup Mounting Holes	
Ø2,5x5 mm	
Ø5x12 mm	
[Ø8-10]x12 mm	
Ø10x12 mm	

Screw Options	
Ø3,5x16 mm Chipboard Screw	
Euro Screw	
Ø8-10 mm Plastic Dowel	
Easy Fit	



Cranking		Crank 0		Cranking		Crank 9		Cranking		Crank 18	
DEFINITION	CODE	DEFINITION	CODE	DEFINITION	CODE	DEFINITION	CODE	DEFINITION	CODE	DEFINITION	CODE
45 Axis	10100211Y	45 Axis	10100221Y	45 Axis	10100231Y	45 Axis	10100241Y	45 Axis	10100251Y	45 Axis	10100261Y
45 Axis Ø8 Dowel	101002111Y	45 Axis Ø8 Dowel	101002211Y	45 Axis Ø8 Dowel	101002311Y	45 Axis Ø8 Dowel	101002411Y	45 Axis Ø8 Dowel	101002511Y	45 Axis Ø8 Dowel	101002611Y
45 Axis Ø10 Dowel	101002112Y	45 Axis Ø10 Dowel	101002212Y	45 Axis Ø10 Dowel	101002312Y	45 Axis Ø10 Dowel	101002412Y	45 Axis Ø10 Dowel	101002512Y	45 Axis Ø10 Dowel	101002612Y
45 Axis Euro Screw	101002113Y	45 Axis Euro Screw	101002213Y	45 Axis Euro Screw	101002313Y	45 Axis Euro Screw	101002413Y	45 Axis Euro Screw	101002513Y	45 Axis Euro Screw	101002613Y
45 Axis Tool-Less	101002114Y	45 Axis Tool-Less	101002214Y	45 Axis Tool-Less	101002314Y	45 Axis Tool-Less	101002414Y	45 Axis Tool-Less	101002514Y	45 Axis Tool-Less	101002614Y
45 Axis Easy Fit	101002117Y	45 Axis Easy Fit	101002217Y	45 Axis Easy Fit	101002317Y	45 Axis Easy Fit	101002417Y	45 Axis Easy Fit	101002517Y	45 Axis Easy Fit	101002617Y
48 Axis	10100212Y	48 Axis	10100222Y	48 Axis	10100232Y	48 Axis	10100242Y	48 Axis	10100252Y	48 Axis	10100262Y
48 Axis Ø8 Dowel	101002121Y	48 Axis Ø8 Dowel	101002221Y	48 Axis Ø8 Dowel	101002321Y	48 Axis Ø8 Dowel	101002421Y	48 Axis Ø8 Dowel	101002521Y	48 Axis Ø8 Dowel	101002621Y
48 Axis Ø10 Dowel	101002122Y	48 Axis Ø10 Dowel	101002222Y	48 Axis Ø10 Dowel	101002322Y	48 Axis Ø10 Dowel	101002422Y	48 Axis Ø10 Dowel	101002522Y	48 Axis Ø10 Dowel	101002622Y
48 Axis Euro Screw	101002123Y	48 Axis Euro Screw	101002223Y	48 Axis Euro Screw	101002323Y	48 Axis Euro Screw	101002423Y	48 Axis Euro Screw	101002523Y	48 Axis Euro Screw	101002623Y
48 Axis Tool-Less	101002124Y	48 Axis Tool-Less	101002224Y	48 Axis Tool-Less	101002324Y	48 Axis Tool-Less	101002424Y	48 Axis Tool-Less	101002524Y	48 Axis Tool-Less	101002624Y
48 Axis Easy Fit	101002127Y	48 Axis Easy Fit	101002227Y	48 Axis Easy Fit	101002327Y	48 Axis Easy Fit	101002427Y	48 Axis Easy Fit	101002527Y	48 Axis Easy Fit	101002627Y
52 Axis	10100213Y	52 Axis	10100223Y	52 Axis	10100233Y	52 Axis	10100243Y	52 Axis	10100253Y	52 Axis	10100263Y
52 Axis Ø8 Dowel	101002131Y	52 Axis Ø8 Dowel	101002231Y	52 Axis Ø8 Dowel	101002331Y	52 Axis Ø8 Dowel	101002431Y	52 Axis Ø8 Dowel	101002531Y	52 Axis Ø8 Dowel	101002631Y
52 Axis Ø10 Dowel	101002132Y	52 Axis Ø10 Dowel	101002232Y	52 Axis Ø10 Dowel	101002332Y	52 Axis Ø10 Dowel	101002432Y	52 Axis Ø10 Dowel	101002532Y	52 Axis Ø10 Dowel	101002632Y
52 Axis Euro Screw	101002133Y	52 Axis Euro Screw	101002233Y	52 Axis Euro Screw	101002333Y	52 Axis Euro Screw	101002433Y	52 Axis Euro Screw	101002533Y	52 Axis Euro Screw	101002633Y
52 Axis Tool-Less	101002134Y	52 Axis Tool-Less	101002234Y	52 Axis Tool-Less	101002334Y	52 Axis Tool-Less	101002434Y	52 Axis Tool-Less	101002534Y	52 Axis Tool-Less	101002634Y
52 Axis Easy Fit	101002137Y	52 Axis Easy Fit	101002237Y	52 Axis Easy Fit	101002337Y	52 Axis Easy Fit	101002437Y	52 Axis Easy Fit	101002537Y	52 Axis Easy Fit	101002637Y

Hinge Cup Mounting Holes	
Ø2,5x5 mm	
Ø5x12 mm	
[Ø8-10]x12 mm	
Ø10x12 mm	

Screw Options	
Ø3,5x16 mm Chipboard Screw	
Euro Screw	
Ø8-10 mm Plastic Dowel	
Easy Fit	

## Star Mounting Plate

Star Mounting Plate <b>5 mm</b>		Star Mounting Plate <b>7 mm</b>		Star Mounting Plate <b>9 mm</b>	
DEFINITION	CODE L:37mm	DEFINITION	CODE L:37mm	DEFINITION	CODE L:37mm
Star Mounting Plate	102411Y	Star Mounting Plate	102412Y	Star Mounting Plate	102413Y
Star Mounting Plate 6,3x14 Euro Screw	102431Y	Star Mounting Plate 6,3x14 Euro Screw	102432Y	Star Mounting Plate 6,3x14 Euro Screw	102433Y
Star Mounting Plate 6,3x10 Euro Screw	102464Y	Star Mounting Plate 6,3x10 Euro Screw	102465Y	Star Mounting Plate 6,3x10 Euro Screw	102466Y
Star Mounting Plate Ø5 Dowel	102446Y	Star Mounting Plate Ø5 Dowel	102447Y	Star Mounting Plate Ø5 Dowel	102448Y
Star Mounting Plate Ø8 Dowel	102437Y	Star Mounting Plate Ø8 Dowel	102438Y	Star Mounting Plate Ø8 Dowel	102439Y
Star Mounting Plate Ø10 Dowel	102448Y	Star Mounting Plate Ø10 Dowel	102450Y	Star Mounting Plate Ø10 Dowel	102451Y
Star Mounting Plate Ø10 Dowel (Double)	102484Y	Star Mounting Plate Ø10 Dowel (Double)	102483Y	Star Mounting Plate Ø10 Dowel (Double)	102485Y

## Star Track Adjustable Mounting Plate

Star Track Adjustable Mounting Plate <b>5 mm</b>		Star Track Adjustable Mounting Plate <b>7 mm</b>		Star Track Adjustable Mounting Plate <b>9 mm</b>	
DEFINITION	CODE	DEFINITION	CODE	DEFINITION	CODE
Star Track Adj. Mounting Plate	10260751Y	Star Track Adj. Mounting Plate	10260771Y	Star Track Adj. Mounting Plate	10260791Y
Star Track Adj. Mounting Plate Ø5 Dowel	10260756Y	Star Track Adj. Mounting Plate Ø5 Dowel	10260776Y	Star Track Adj. Mounting Plate Ø5 Dowel	10260796Y
Star Track Adj. Mounting Plate Ø8 Dowel	10260752Y	Star Track Adj. Mounting Plate Ø8 Dowel	10260772Y	Star Track Adj. Mounting Plate Ø8 Dowel	10260792Y
Star Track Adj. Mounting Plate Ø10 Dowel	10260753Y	Star Track Adj. Mounting Plate Ø10 Dowel	10260773Y	Star Track Adj. Mounting Plate Ø10 Dowel	10260793Y
Star Track Adj. 6,3x14 Euro Screw	10260754Y	Star Track Adj. 6,3x14 Euro Screw	10260774Y	Star Track Adj. 6,3x14 Euro Screw	10260794Y
Star Track Adj. 6,3x10 Euro Screw	10260755Y	Star Track Adj. 6,3x10 Euro Screw	10260775Y	Star Track Adj. 6,3x10 Euro Screw	10260795Y

**STAR**  
The Classical Hinge



**STAR TRACK**  
Hinge Systems

# samet


Star




Star Track




[www.sametglobal.com](http://www.sametglobal.com)

 [sametinternational](#)

 [samet\\_global](#)

 [SametGroup](#)

 [Samet Kalıp ve Madeni Eşya San. ve Tic. A.Ş.](#)