

MASTER

New Generation Hinge Systems



www.lga.info
ID 1111239539



samet

Master Soft-Close Hinge is a new generation hinge system, ensuring a high level of movement and assembly comfort due to high-level adjustment feature. It was developed after research and advanced tests carried by SAMET R&D center.

Elegant Design

The Master hinge boasts a pure and aesthetic design, crafted from superior materials for an unmatched steel hardware experience. With its wide product range and , it seamlessly complements various cabinet designs, ensuring a perfect fit for any style preference.

High Quality

Master Soft-Close Hinge Series were designed with the advanced technology of SAMET R&D Center and produced by using fully - automated robotic production systems.

MASTER | **BLACK**

Perfect Design Meets with Elegant Black Finish





Integrated Soft-Close System

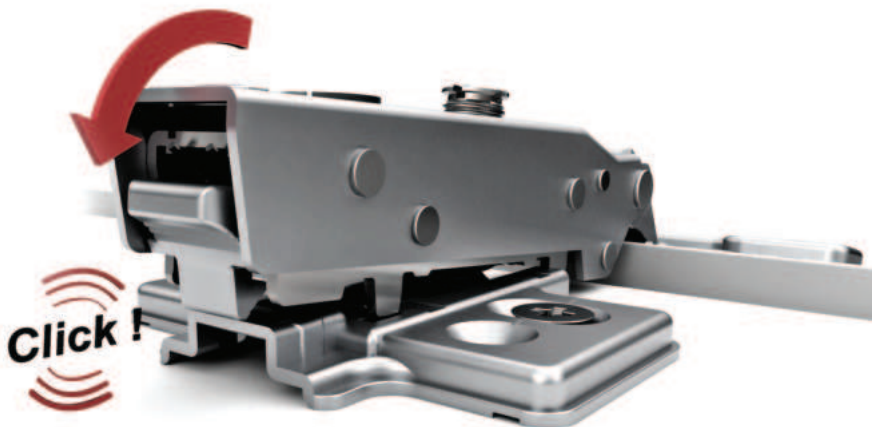
The Master hinge's integrated soft-close system offers excellent silent movement and smooth operation, ensuring LGA certificated superior performance and adding top level comfort to daily life.

Easy Installation

Track Mechanism in **Master Soft-Close Hinge** provides toolless assembly-disassembly feature, which also simplifies installation process and help to save time.

Advanced 3D Adjustment

Wide range 3D adjustment in six direction ensures assembly comfort and better precision for furnitures.



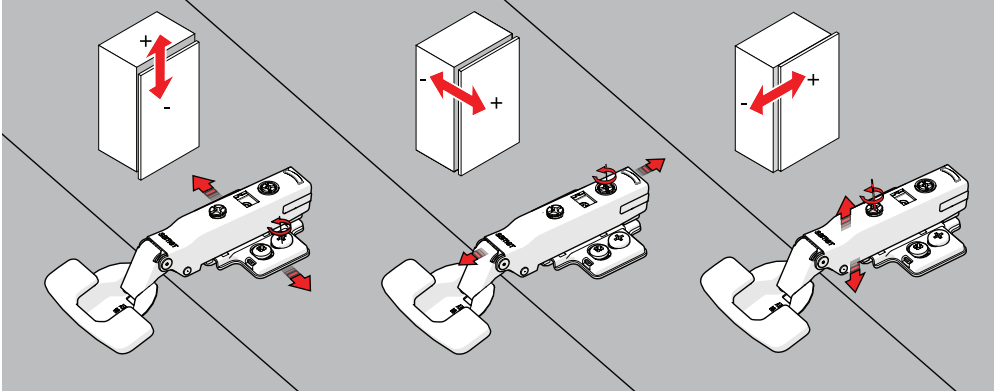
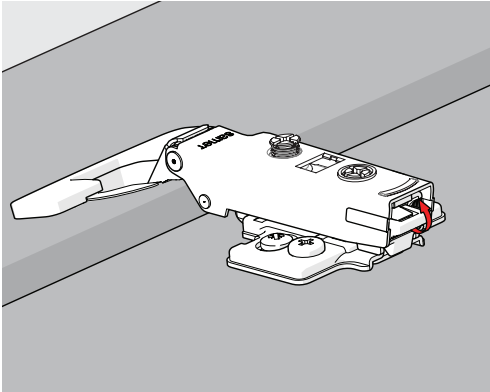
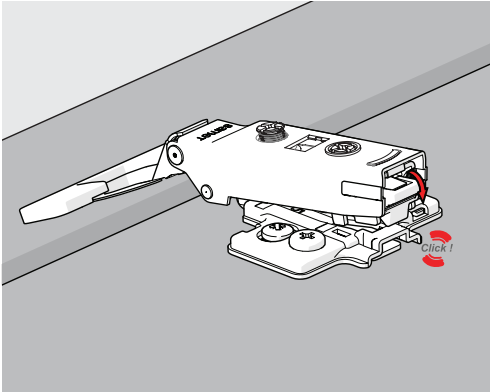
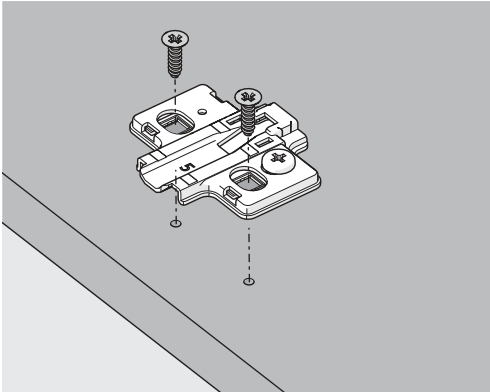
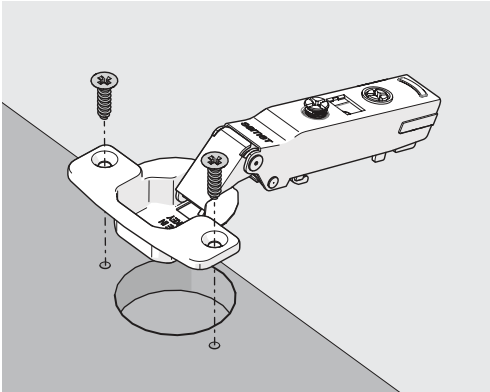


TOOL-LESS

Hinge System

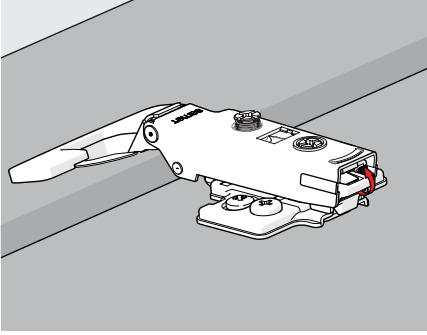
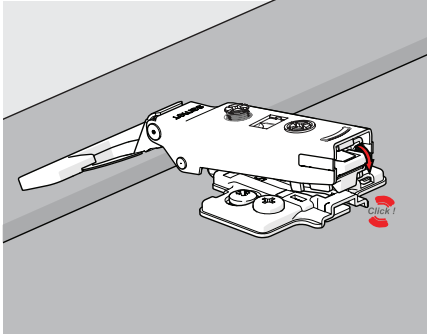
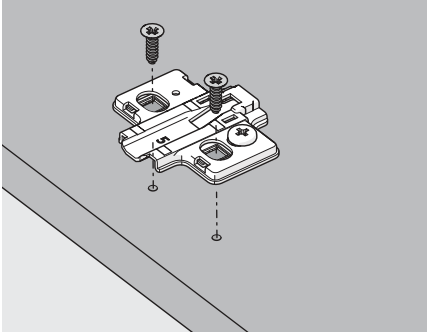
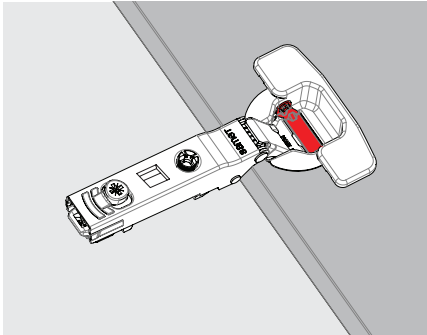
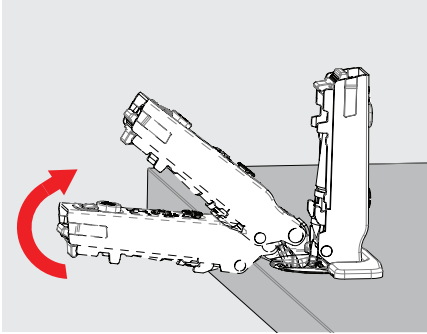
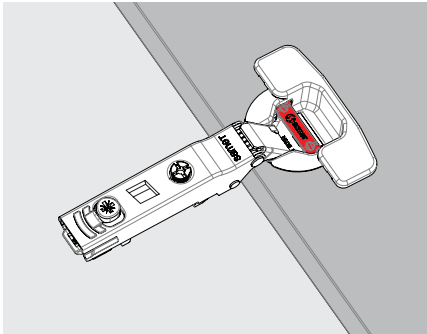
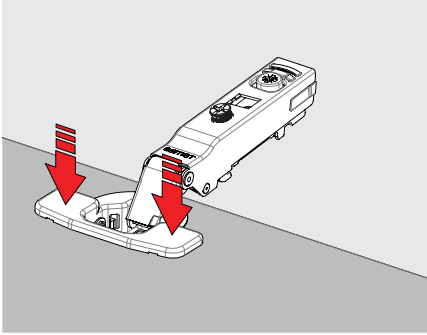
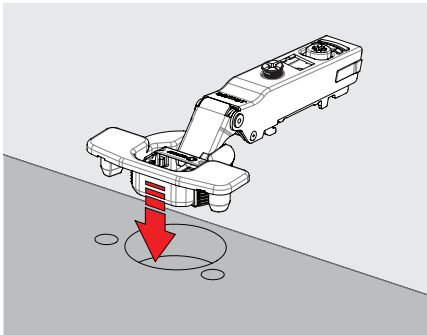


- Easy, practical and quick mounting system ◀
- Simplification of furniture production ◀
- No need for any tool for assembly ◀
- Ideal solution for DIY furniture ◀








TOOL-LESS

Assembly Instructions








Cranking		Crank 0	Cranking		Crank 9	Cranking		Crank 18
DEFINITION	CODE		DEFINITION	CODE	DEFINITION	CODE	DEFINITION	CODE
45 Axis	10100411Y		45 Axis	10100421Y	45 Axis	10100431Y		
45 Axis Ø8 Dowel	101004111Y		45 Axis Ø8 Dowel	101004211Y	45 Axis Ø8 Dowel	101004311Y		
45 Axis Ø10 Dowel	101004112Y		45 Axis Ø10 Dowel	101004212Y	45 Axis Ø10 Dowel	101004312Y		
45 Axis Euro Screw	101004113Y		45 Axis Euro Screw	101004213Y	45 Axis Euro Screw	101004313Y		
45 Axis Tool-less	101004118Y		45 Axis Tool-less	101004218Y	45 Axis Tool-less	101004318Y		
45 Axis Easy Fit	101004117Y		45 Axis Easy Fit	101004217Y	45 Axis Easy Fit	101004317Y		
48 Axis	10100412Y		48 Axis	10100422Y	48 Axis	10100432Y		
48 Axis Ø8 Dowel	101004121Y		48 Axis Ø8 Dowel	101004221Y	48 Axis Ø8 Dowel	101004321Y		
48 Axis Ø10 Dowel	101004122Y		48 Axis Ø10 Dowel	101004222Y	48 Axis Ø10 Dowel	101004322Y		
48 Axis Euro Screw	101004123Y		48 Axis Euro Screw	101004223Y	48 Axis Euro Screw	101004323Y		
48 Axis Tool-less	101004128Y		48 Axis Tool-less	101004228Y	48 Axis Tool-less	101004328Y		
48 Axis Easy Fit	101004127Y		48 Axis Easy Fit	101004227Y	48 Axis Easy Fit	101004327Y		
52 Axis	10100413Y		52 Axis	10100423Y	52 Axis	10100433Y		
52 Axis Ø8 Dowel	101004131Y		52 Axis Ø8 Dowel	101004231Y	52 Axis Ø8 Dowel	101004331Y		
52 Axis Ø10 Dowel	101004132Y		52 Axis Ø10 Dowel	101004232Y	52 Axis Ø10 Dowel	101004332Y		
52 Axis Euro Screw	101004133Y		52 Axis Euro Screw	101004233Y	52 Axis Euro Screw	101004333Y		
52 Axis Tool-less	101004138Y		52 Axis Tool-less	101004238Y	52 Axis Tool-less	101004338Y		
52 Axis Easy Fit	101004137Y		52 Axis Easy Fit	101004237Y	52 Axis Easy Fit	101004337Y		

Screw Options	
Ø3,5x16 mm Chipboard Screw	
Euro Screw	
Ø8-10 mm Plastic Dowel	
Easy Fit	
Tool-less	

Hinge Cup Mounting Holes	
Ø2,5x5 mm	
Ø5x12 mm	
{Ø8-10}x12 mm	
Ø10x12 mm	
Ø8x12 mm	

Cranking		Crank 0		Cranking		Crank 9		Cranking		Crank 18	
DEFINITION	CODE	DEFINITION	CODE	DEFINITION	CODE	DEFINITION	CODE	DEFINITION	CODE	DEFINITION	CODE
45 Axis	10101411Y	45 Axis	10101421Y	45 Axis	10101431Y	45 Axis	10101441Y	45 Axis	10101451Y	45 Axis	10101461Y
45 Axis Ø8 Dowel	101014111Y	45 Axis Ø8 Dowel	101014211Y	45 Axis Ø8 Dowel	101014311Y	45 Axis Ø8 Dowel	101014411Y	45 Axis Ø8 Dowel	101014511Y	45 Axis Ø8 Dowel	101014611Y
45 Axis Ø10 Dowel	101014112Y	45 Axis Ø10 Dowel	101014212Y	45 Axis Ø10 Dowel	101014312Y	45 Axis Ø10 Dowel	101014412Y	45 Axis Ø10 Dowel	101014512Y	45 Axis Ø10 Dowel	101014612Y
45 Axis Euro Screw	101014113Y	45 Axis Euro Screw	101014213Y	45 Axis Euro Screw	101014313Y	45 Axis Euro Screw	101014413Y	45 Axis Euro Screw	101014513Y	45 Axis Euro Screw	101014613Y
45 Axis Tool-Less	101014116Y	45 Axis Tool-Less	101014216Y	45 Axis Tool-Less	101014316Y	45 Axis Tool-Less	101014416Y	45 Axis Tool-Less	101014516Y	45 Axis Tool-Less	101014616Y
45 Axis Easy Fit	101014117Y	45 Axis Easy Fit	101014217Y	45 Axis Easy Fit	101014317Y	45 Axis Easy Fit	101014417Y	45 Axis Easy Fit	101014517Y	45 Axis Easy Fit	101014617Y
48 Axis	10101412Y	48 Axis	10101422Y	48 Axis	10101432Y	48 Axis	10101442Y	48 Axis	10101452Y	48 Axis	10101462Y
48 Axis Ø8 Dowel	101014121Y	48 Axis Ø8 Dowel	101014221Y	48 Axis Ø8 Dowel	101014321Y	48 Axis Ø8 Dowel	101014421Y	48 Axis Ø8 Dowel	101014521Y	48 Axis Ø8 Dowel	101014621Y
48 Axis Ø10 Dowel	101014122Y	48 Axis Ø10 Dowel	101014222Y	48 Axis Ø10 Dowel	101014322Y	48 Axis Ø10 Dowel	101014422Y	48 Axis Ø10 Dowel	101014522Y	48 Axis Ø10 Dowel	101014622Y
48 Axis Euro Screw	101014123Y	48 Axis Euro Screw	101014223Y	48 Axis Euro Screw	101014323Y	48 Axis Euro Screw	101014423Y	48 Axis Euro Screw	101014523Y	48 Axis Euro Screw	101014623Y
48 Axis Tool-Less	101014126Y	48 Axis Tool-Less	101014226Y	48 Axis Tool-Less	101014326Y	48 Axis Tool-Less	101014426Y	48 Axis Tool-Less	101014526Y	48 Axis Tool-Less	101014626Y
48 Axis Easy Fit	101014127Y	48 Axis Easy Fit	101014227Y	48 Axis Easy Fit	101014327Y	48 Axis Easy Fit	101014427Y	48 Axis Easy Fit	101014527Y	48 Axis Easy Fit	101014627Y
52 Axis	10101413Y	52 Axis	10101423Y	52 Axis	10101433Y	52 Axis	10101443Y	52 Axis	10101453Y	52 Axis	10101463Y
52 Axis Ø8 Dowel	101014131Y	52 Axis Ø8 Dowel	101014231Y	52 Axis Ø8 Dowel	101014331Y	52 Axis Ø8 Dowel	101014431Y	52 Axis Ø8 Dowel	101014531Y	52 Axis Ø8 Dowel	101014631Y
52 Axis Ø10 Dowel	101014132Y	52 Axis Ø10 Dowel	101014232Y	52 Axis Ø10 Dowel	101014332Y	52 Axis Ø10 Dowel	101014432Y	52 Axis Ø10 Dowel	101014532Y	52 Axis Ø10 Dowel	101014632Y
52 Axis Euro Screw	101014133Y	52 Axis Euro Screw	101014233Y	52 Axis Euro Screw	101014333Y	52 Axis Euro Screw	101014433Y	52 Axis Euro Screw	101014533Y	52 Axis Euro Screw	101014633Y
52 Axis Tool-Less	101014136Y	52 Axis Tool-Less	101014236Y	52 Axis Tool-Less	101014336Y	52 Axis Tool-Less	101014436Y	52 Axis Tool-Less	101014536Y	52 Axis Tool-Less	101014636Y
52 Axis Easy Fit	101014137Y	52 Axis Easy Fit	101014237Y	52 Axis Easy Fit	101014337Y	52 Axis Easy Fit	101014437Y	52 Axis Easy Fit	101014537Y	52 Axis Easy Fit	101014637Y

Screw Options	
Ø3,5x16 mm Chipboard Screw	
Euro Screw	
Ø8-10 mm Plastic Dowel	
Easy Fit	
Tool-less	

Hinge Cup Mounting Holes	
Ø2,5x5 mm	
Ø5x12 mm	
[Ø8-10]x12 mm	
Ø10x12 mm	
Ø8x12 mm	

Track Adjustable Mounting Plate

5 mm		7 mm		9 mm	
DEFINITION	CODE	DEFINITION	CODE	DEFINITION	CODE
Master Track Mounting Plate	10263851Y	Master Track Mounting Plate	10263871Y	Master Track Mounting Plate	10263891
Master Track Mounting Plate Ø8 Dowel	10263852Y	Master Track Mounting Plate Ø8 Dowel	10263872Y	Master Track Mounting Plate Ø8 Dowel	10263892
Master Track Mounting Plate Ø10 Dowel	10263853Y	Master Track Mounting Plate Ø10 Dowel	10263873Y	Master Track Mounting Plate Ø10 Dowel	10263893
Master Track Mounting Plate 6,3x10 Euro Screw	10263855Y	Master Track Mounting Plate 6,3x10 Euro Screw	10263875Y	Master Track Mounting Plate 6,3x10 Euro Screw	10263895
Master Track Mounting Plate 6,3x12 Euro Screw	10263858Y	Master Track Mounting Plate 6,3x12 Euro Screw	10263878Y	Master Track Mounting Plate 6,3x12 Euro Screw	10263898
Master Track Mounting Plate 6,3x14 Euro Screw	10263854Y	Master Track Mounting Plate 6,3x14 Euro Screw	10263874Y	Master Track Mounting Plate 6,3x14 Euro Screw	10263894
Master Track Mounting Plate Ø5x11,5 Dowel	10263857Y	Master Track Mounting Plate Ø5x11,5 Dowel	10263877Y	Master Track Mounting Plate Ø5x11,5 Dowel	10263897

Y

Track Mounting Plate - 4 Holes

Y

5 mm		7 mm		9 mm	
DEFINITION	CODE	DEFINITION	CODE	DEFINITION	CODE
Master/Star Track Mounting Plate	10265841Y	Master/Star Track Mounting Plate	10265861Y	Master/Star Track Mounting Plate	10265881Y
Master/Star Track Mounting Plate Ø8 Dowel	10265842Y	Master/Star Track Mounting Plate Ø8 Dowel	10265862Y	Master/Star Track Mounting Plate Ø8 Dowel	10265882Y
Master/Star Track Mounting Plate Ø10 Dowel	10265843Y	Master/Star Track Mounting Plate Ø10 Dowel	10265863Y	Master/Star Track Mounting Plate Ø10 Dowel	10265883Y
Master/Star Track Mounting Plate 6,3x10 Euro Screw	10265845Y	Master/Star Track Mounting Plate 6,3x10 Euro Screw	10265865Y	Master/Star Track Mounting Plate 6,3x10 Euro Screw	10265885Y
Master/Star Track Mounting Plate 6,3x12 Euro Screw	10265848Y	Master/Star Track Mounting Plate 6,3x12 Euro Screw	10265868Y	Master/Star Track Mounting Plate 6,3x12 Euro Screw	10265888Y
Master/Star Track Mounting Plate 6,3x14 Euro Screw	10265844Y	Master/Star Track Mounting Plate 6,3x14 Euro Screw	10265864Y	Master/Star Track Mounting Plate 6,3x14 Euro Screw	10265884Y
Master/Star Track Mounting Plate Ø5x11,5 Dowel	10265847Y	Master/Star Track Mounting Plate Ø5x11,5 Dowel	10265867Y	Master/Star Track Mounting Plate Ø5x11,5 Dowel	10265887Y

MASTER




samet



www.sametglobal.com

 [sametinternational](#)

 [samet_global](#)

 [SametGroup](#)

 [Samet Kalıp ve Madeni Eşya San. ve Tic. A.Ş.](#)