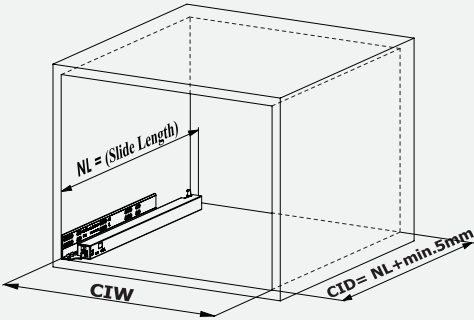


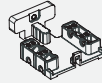
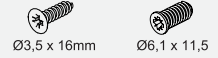


Cabinet Dimensions

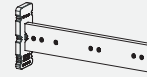


| | |
|------------------------|-----|
| Cabinet Internal Width | CIW |
| Cabinet Internal Depth | CID |
| Drawer Depth | DD |
| Drawer Internal Width | DIW |
| Nominal Length | NL |

Recommended Screw and Templates



Smart Lock Template

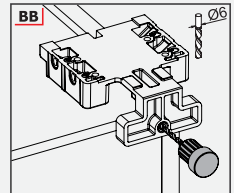
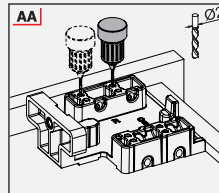
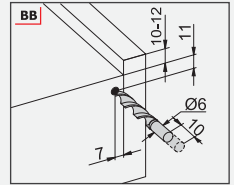
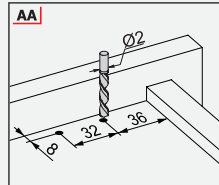
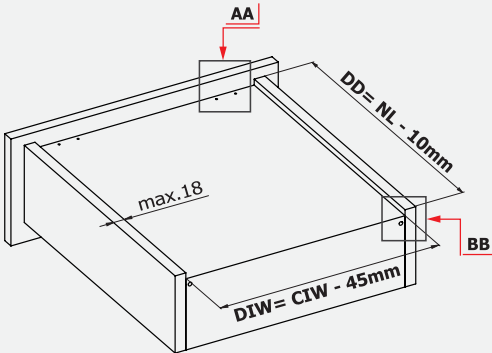


Smart Drilling Jig

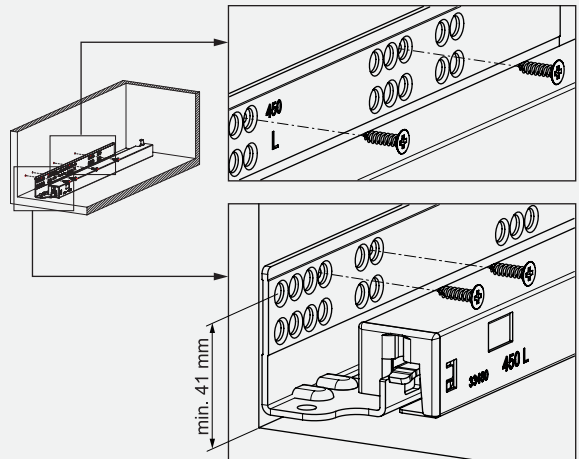
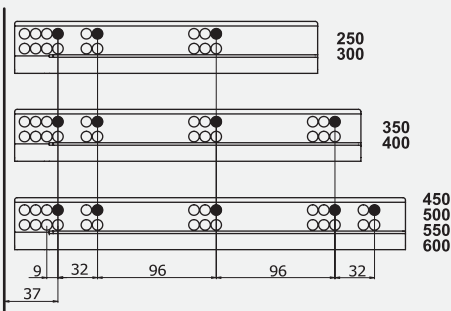


Smart Drilling Jig with Ruler

Drawer Dimensions



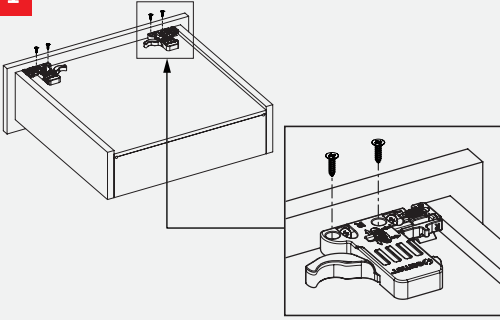
Screw Location for The Slides



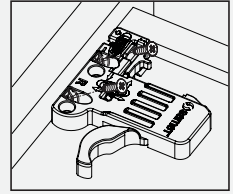
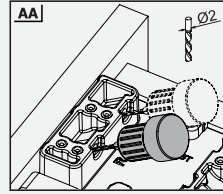
*Screw the slides from marked holes.



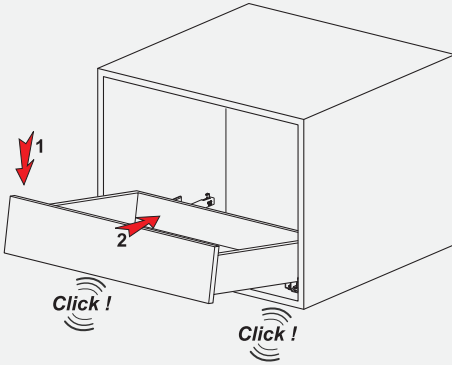
1



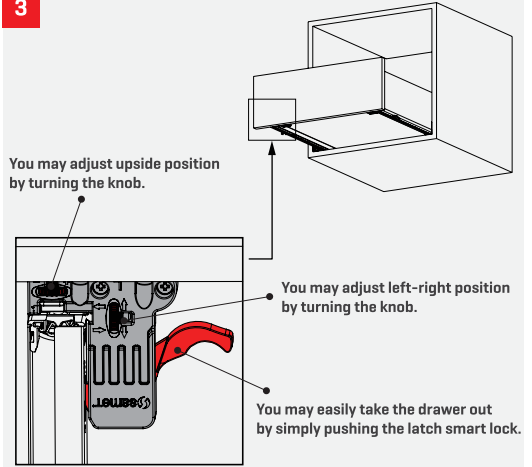
Note: Use angled holes to mount SMART LOCK when wooden floor width is selected less than 12 mm.



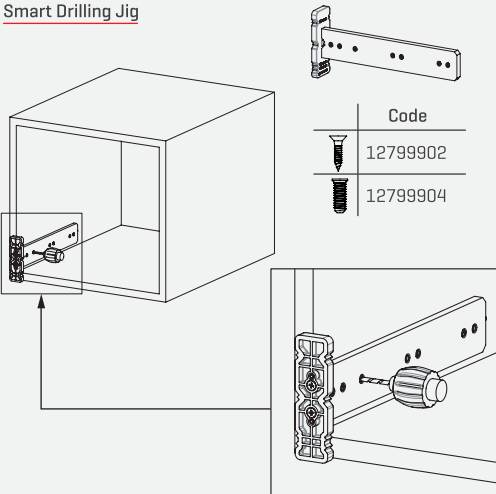
2



3



Smart Drilling Jig



Smart Drilling Jig with Ruler

