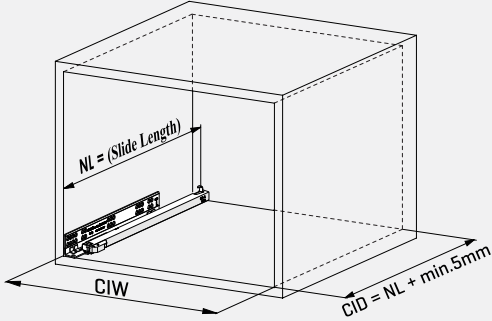


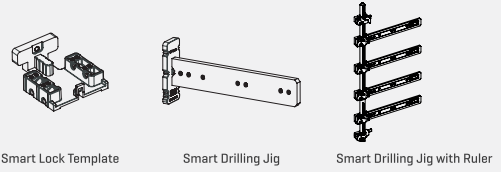
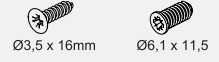


Cabinet Dimensions

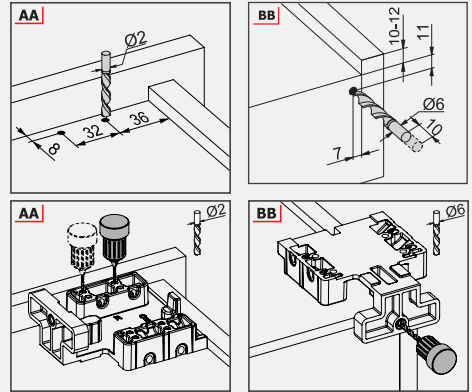
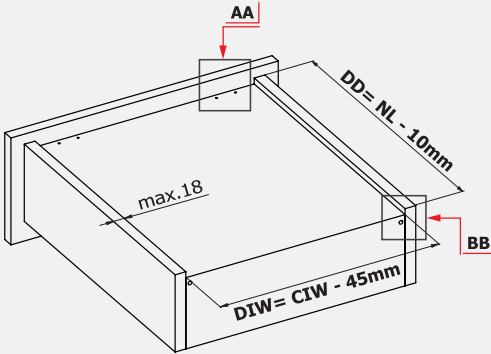


Cabinet Internal Width	CIW
Cabinet Internal Depth	CID
Drawer Depth	DD
Drawer Internal Width	DIW
Nominal Length	NL

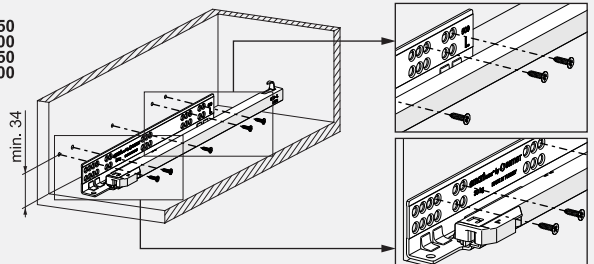
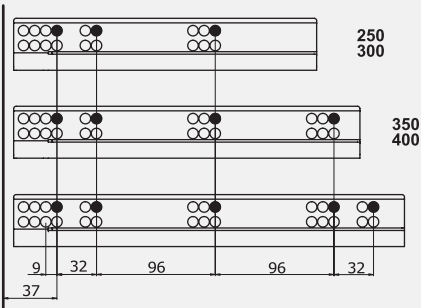
Recommended Screw and Templates



Drawer Dimensions



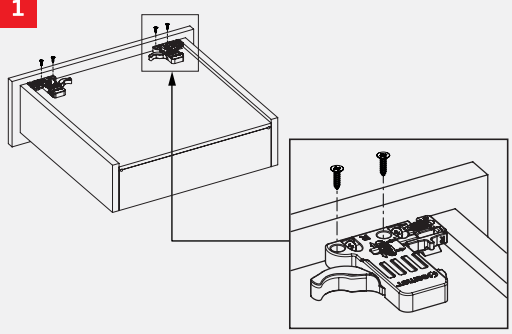
Screw Location for The Slides



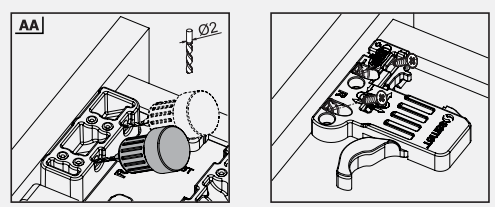
*Screw the slides from marked holes.



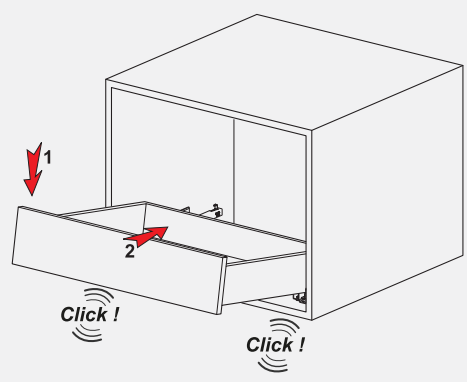
1



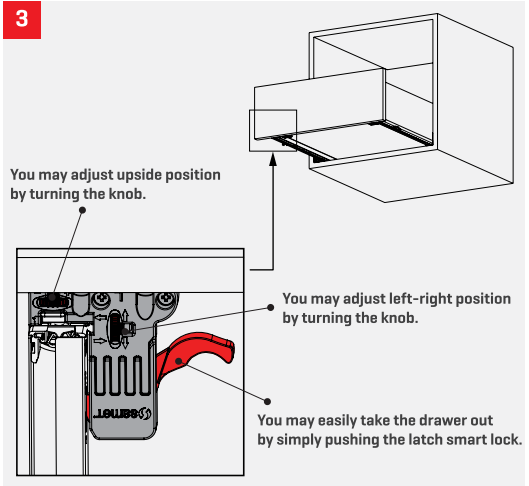
Note: Use angled holes to mount SMART LOCK when wooden floor width is selected less than 12 mm.



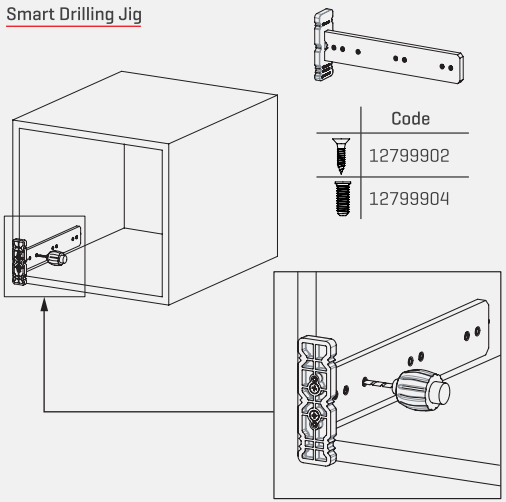
2



3



Smart Drilling Jig



Smart Drilling Jig with Ruler

