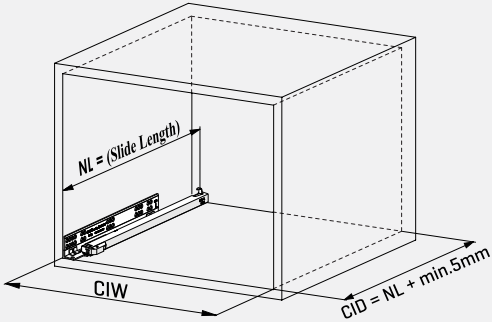


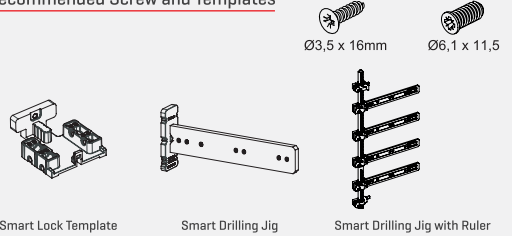


Cabinet Dimensions

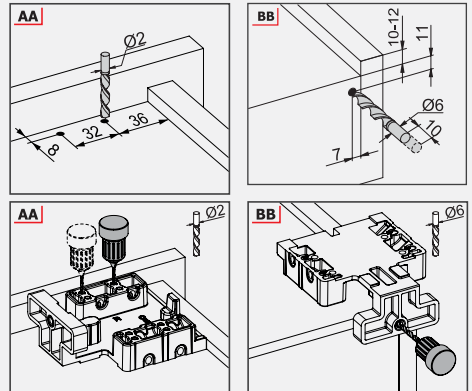
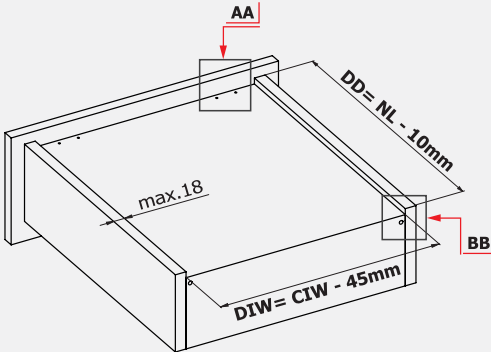


Cabinet Internal Width	CIW
Cabinet Internal Depth	CID
Drawer Depth	DD
Drawer Internal Width	DIW
Nominal Length	NL

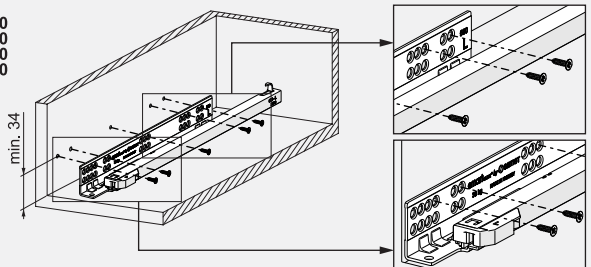
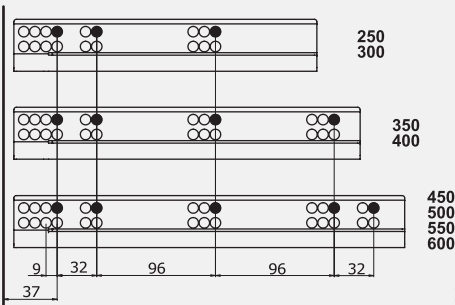
Recommended Screw and Templates



Drawer Dimensions



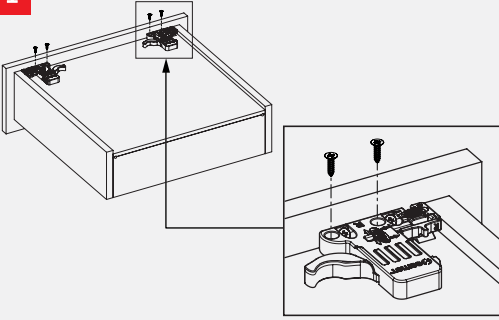
Screw Location for The Slides



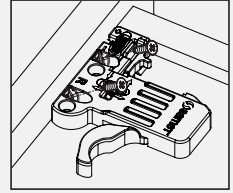
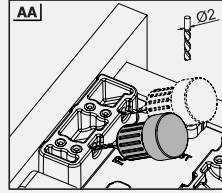
*Screw the slides from marked holes.



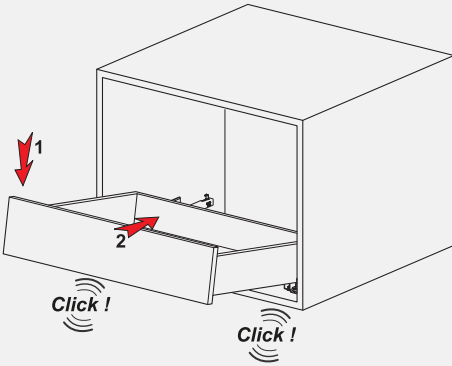
1



Note: Use angled holes to mount SMART LOCK when wooden floor width is selected less than 12 mm.

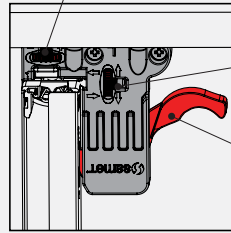
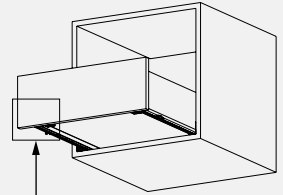


2



3

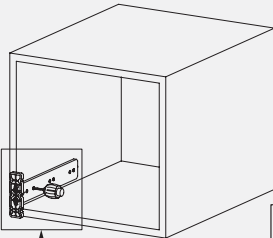
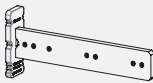
You may adjust upside position by turning the knob.





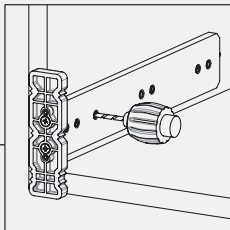
You may adjust left-right position by turning the knob.

You may easily take the drawer out by simply pushing the latch smart lock.

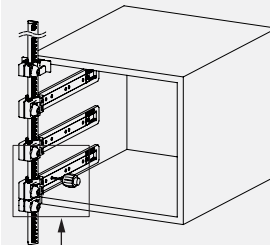
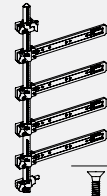
Smart Drilling Jig



	Code
	12799902
	12799904



Smart Drilling Jig with Ruler



	Code
	12799901
	12799905

