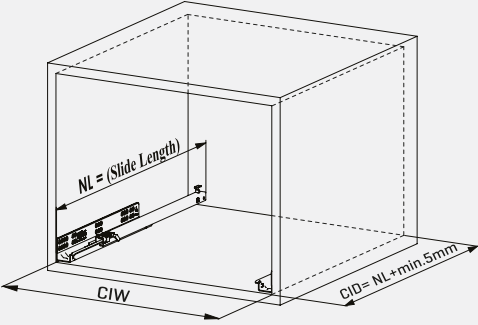


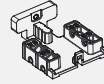
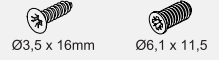


Cabinet Dimensions

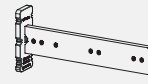


Cabinet Internal Width	CIW
Cabinet Internal Depth	CID
Drawer Depth	DD
Drawer Internal Width	DIW
Nominal Length	NL

Recommended Screw and Templates



Smart Lock Template

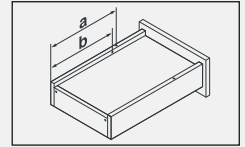
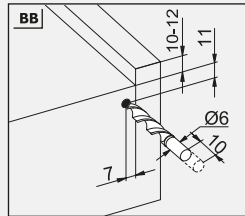
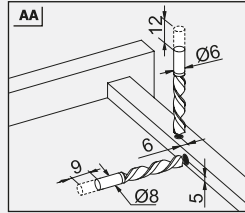
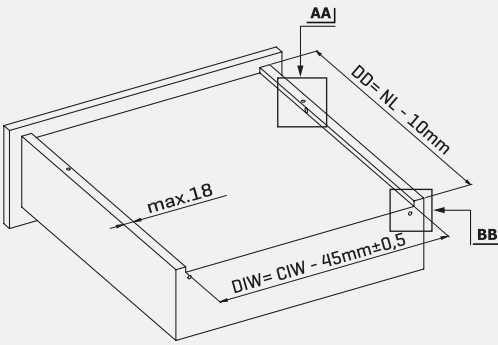


Smart Drilling Jig



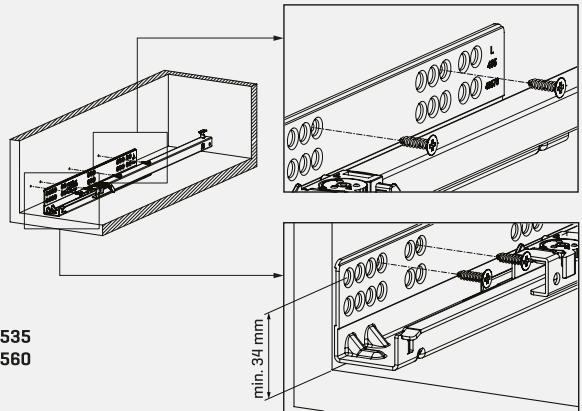
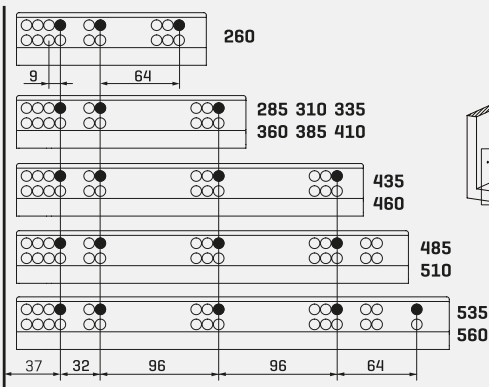
Smart Drilling Jig with Ruler

Drawer Dimensions



Nominal Length NL [mm]	Pin [a mm]	Safety Pin [b mm]
260	205	185
285	220	200
310	230	210
335	245	225
360	275	255
385	285	265
410	300	280
435	310	290
460	335	315
485	350	330
510	360	340
535	375	355
560	405	385

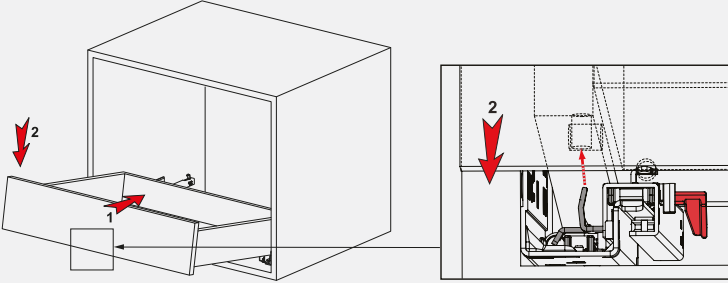
Screw Location for The Slides



*Screw the slides from marked holes.

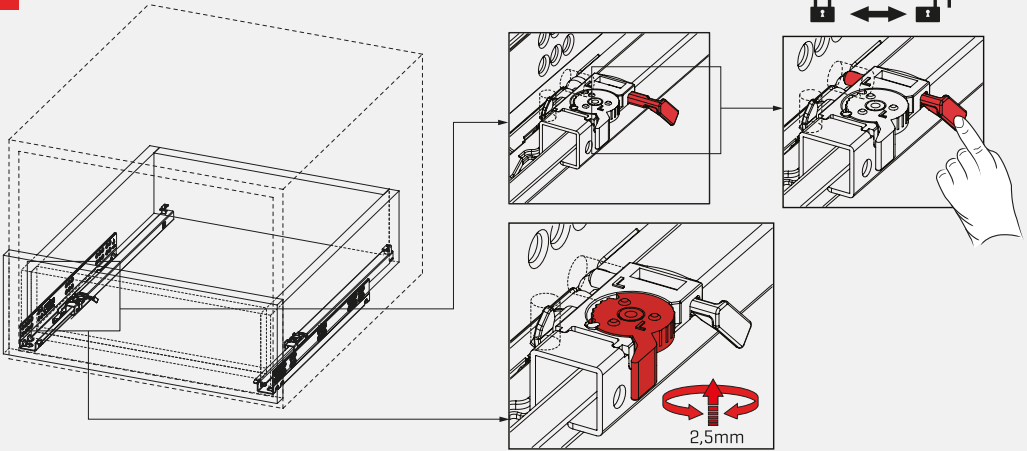


1



Important !!!
Make sure keep the safety pin open before the drawer is placed.

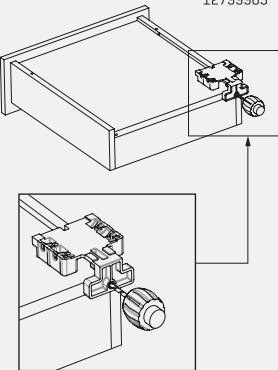
2



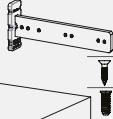
Smart Lock Template



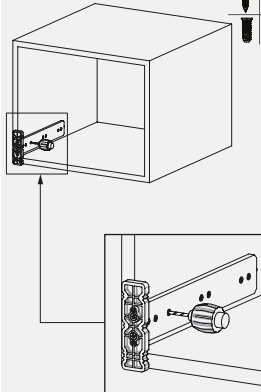
Code
12799903



Smart Drilling Jig



Code
12799902
12799904



Smart Drilling Jig with Ruler



Code
12799901
12799905

