

Multi Mech

Mechanical Double Lift-Up Door System

Assembly Manual



Scan QR Code

APPLICATIONS

Single Shelf Application
Symmetric Double Shelf Application
Aluminium Door Application

INDEX

Parts	1
Assembly Dimensions	2 - 4
Templates	5 - 6
Assembly	7 - 12
Door Adjustment	13
Power Adjustment for Door Weight	14
Soft Closing (Damper) Adjustment	15
Opening Angle Adjustment	16
Aluminium Door Assembly	17 - 20

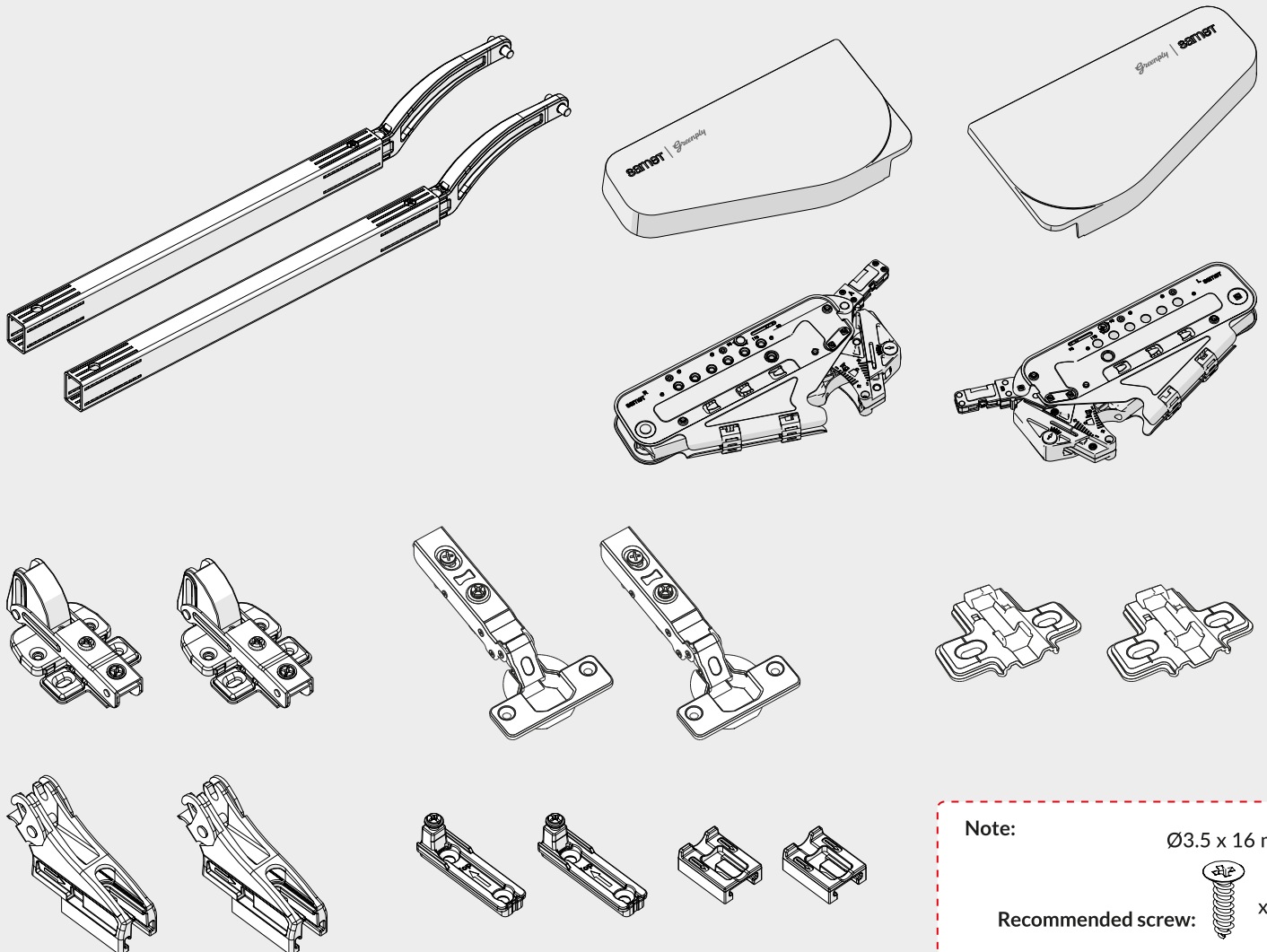
Product Selection Table

Cabinet Height (mm)	Loading Capacity - Two Door Total Weight (Gr.)*					
	Light Load (A1)		Medium Load (B1)		Heavy Load (C1)	
	min.	max.	min.	max.	min.	max.
1001-1040	2300	5000	5000	9000	9000	14500
901-1000	2400	5500	5500	9500	9500	15000
861-900	2500	6000	6000	11000	11000	17000
801-860	2600	6500	6500	11500	11500	18000
761-800	2800	7200	7200	12500	12500	19000
721-760	2900	7500	7500	13000	13000	19500
701-720	3200	8000	8000	14000	14000	21000
651-700	3500	8500	8500	14500	14500	21500
601-650	4000	9000	9000	16000	16000	24000
561-600	4500	10000	10000	17000	17000	25000
501-560	5000	10500	10500	17500	17500	27000
480-500	5500	11500	11500	20000	20000	29000

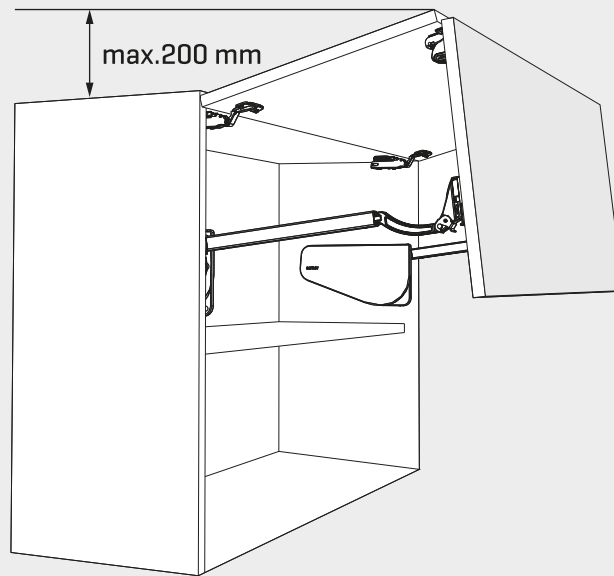
Cabinet Height (mm)	Arm Length (mm)
860 - 1040	345
700 - 859	237
600 - 699	195
480 - 599	145

*Handle weight is included as 100 gr.

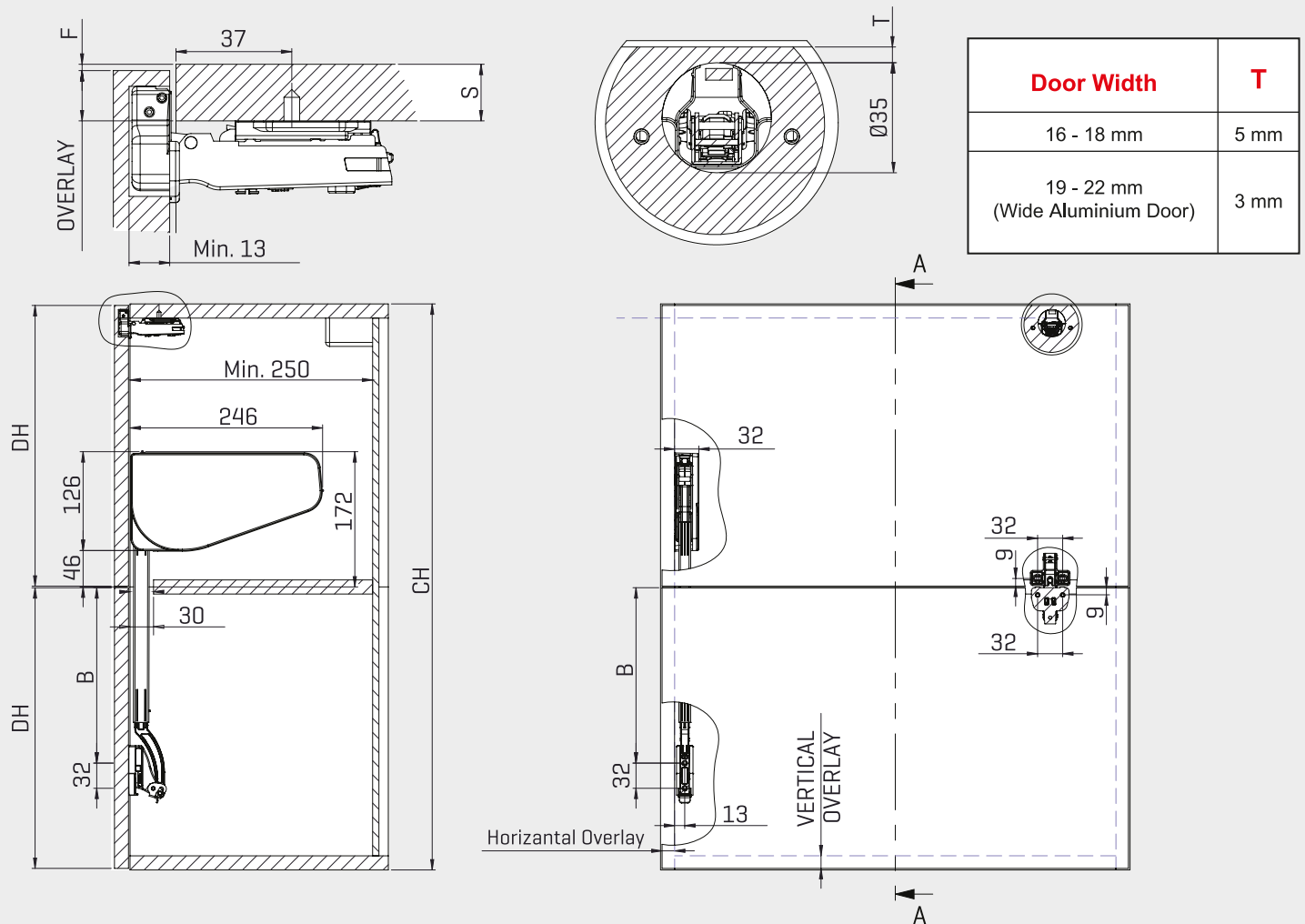
Parts



Space Requirement



Technical Dimensions



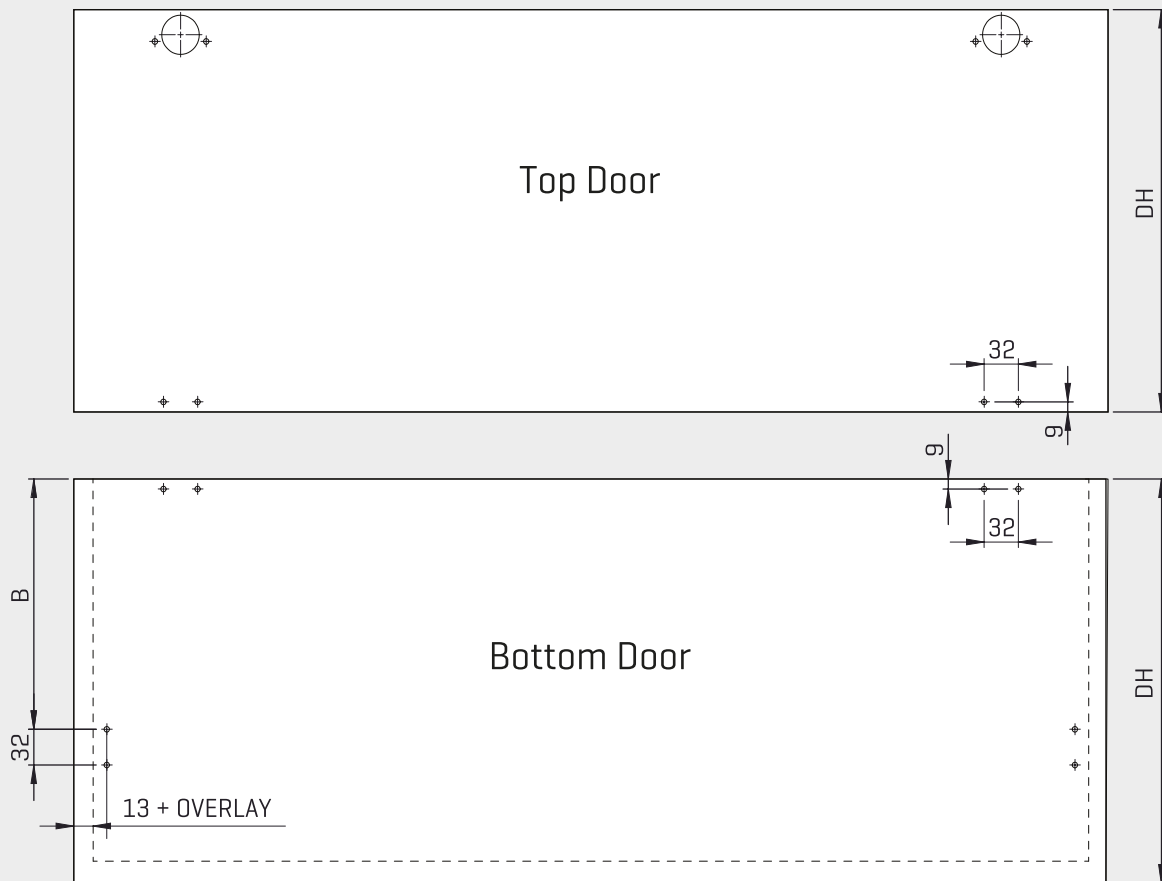
F: Fuga

T: Cup Distance [3 - 6mm]

S: Cabinet Ceiling Thickness

S = T + F + 13

Note: Unit of measurement is millimeter.



Single Shelf Application	
Cabinet Height (mm)	B Distance (mm)
1040	383
1000	366
900	310
860	302
800	258
760	242
720	218
700	210
650	185
600	160
560	143
500	112
480	105

Symmetric Double Shelf Application	
Cabinet Height (mm)	B Distance (mm)
900	361
800	310
720	282

Note:

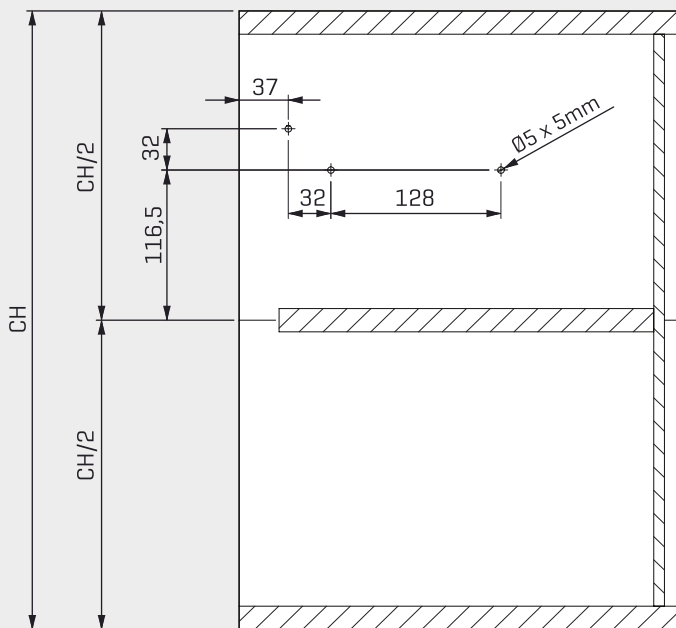
For the cabinet height which is not specified in the table, installation can be done by using the information that is stated in the upper row of the closest dimension to your cabinet height.

DH: Door Height

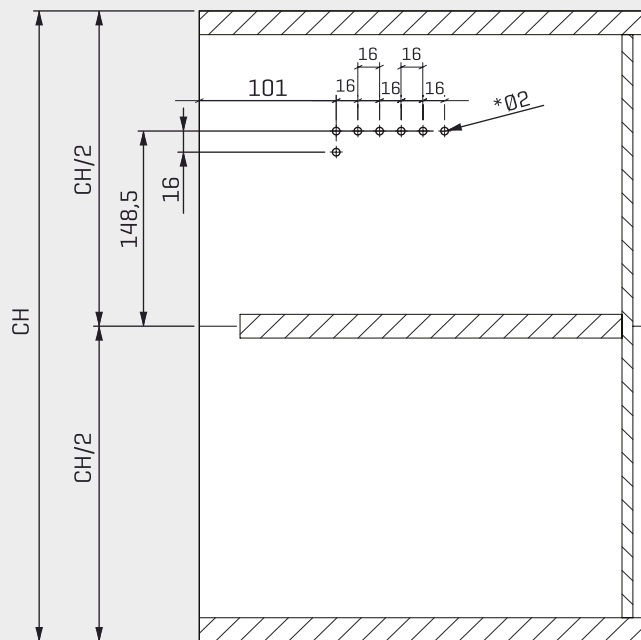
Dimensions of Cabinet Holes

Single Shelf Application

Aluminium Door Application



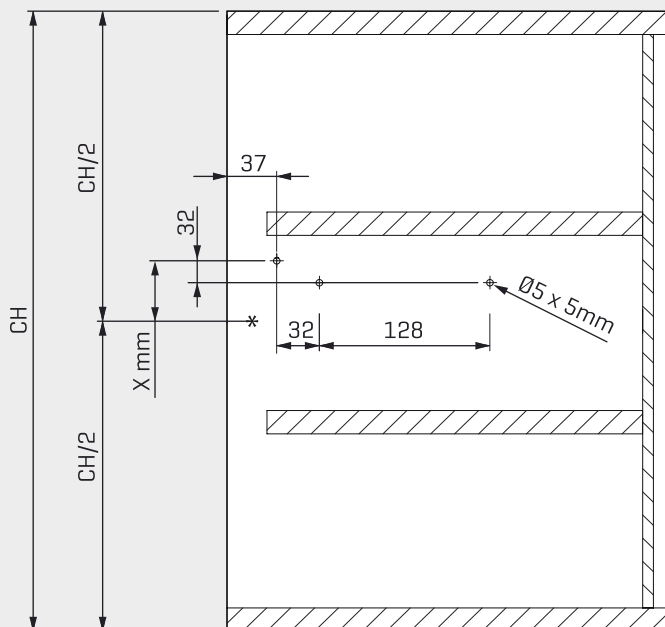
Center of pins for fitting the mechanism
[Ø5 x 5 mm]



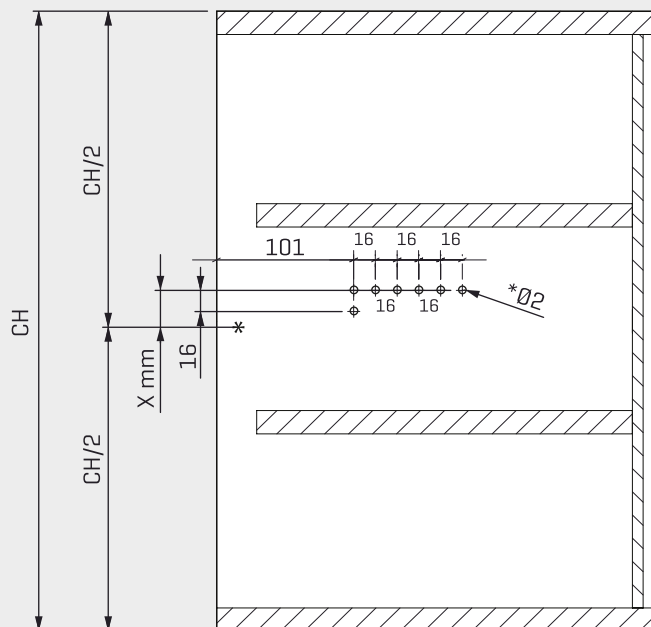
*For usage of Euro Screw, the diameter of holes must be Ø5 mm.

Symmetric Double Shelf Application

Aluminium Door Application



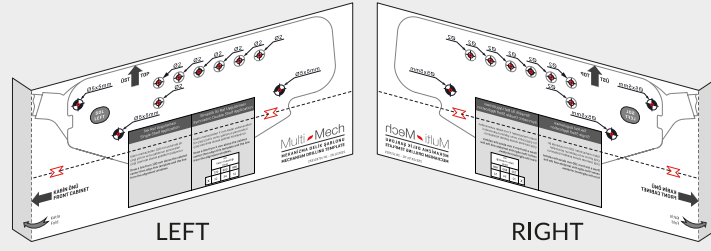
Center of pins for fitting the mechanism
[Ø5 x 5 mm]



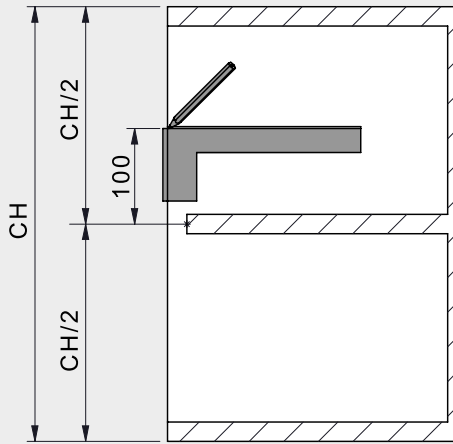
*For usage of Euro Screw, the diameter of holes must be Ø5 mm.

CH (mm)	720	800	900
X (mm)	70	82	100

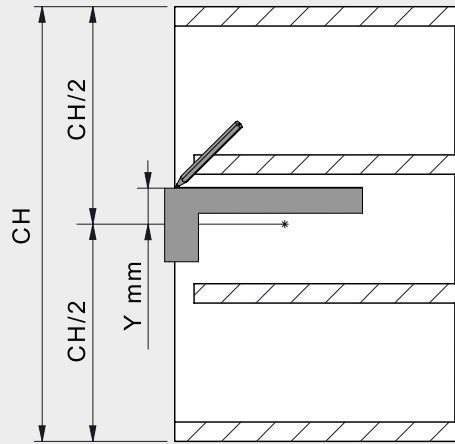
CH: Cabinet Height



Single Shelf Application

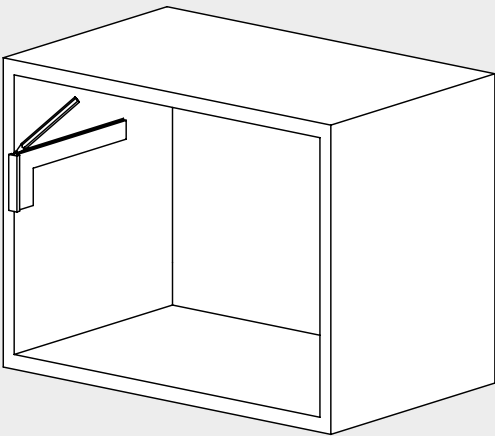


Symmetric Double Shelf Application

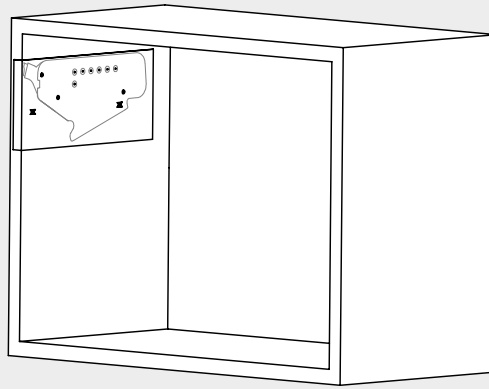


CH (mm)	720	800	900
Y (mm)	22	34	51

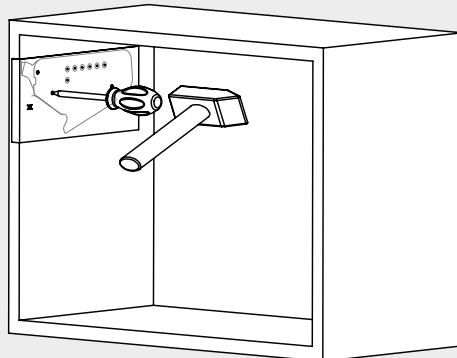
1



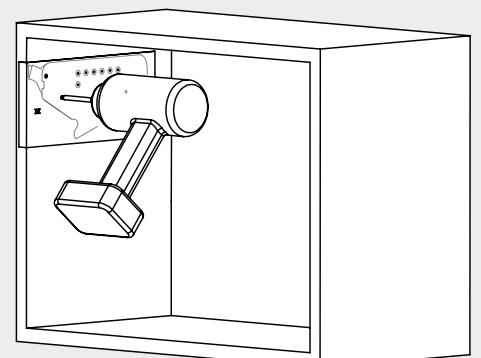
2



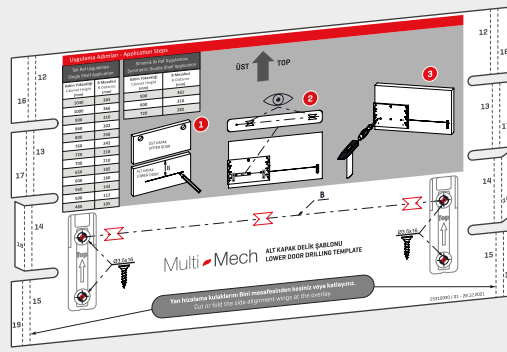
3



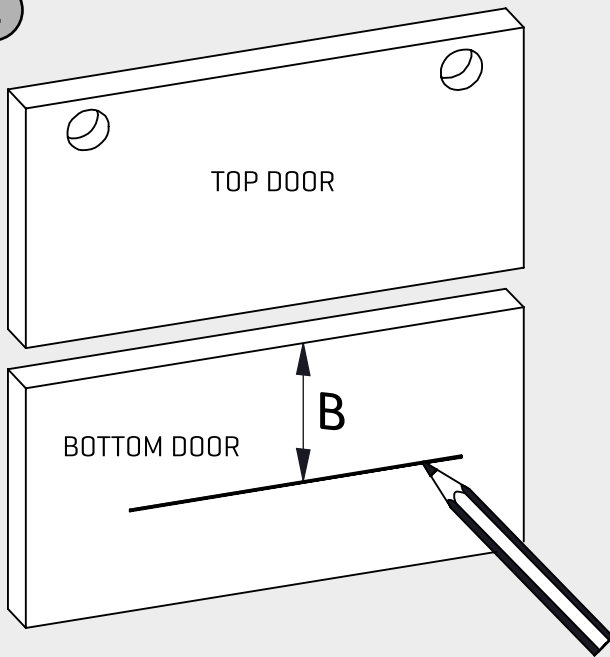
4



CH: Cabinet Height



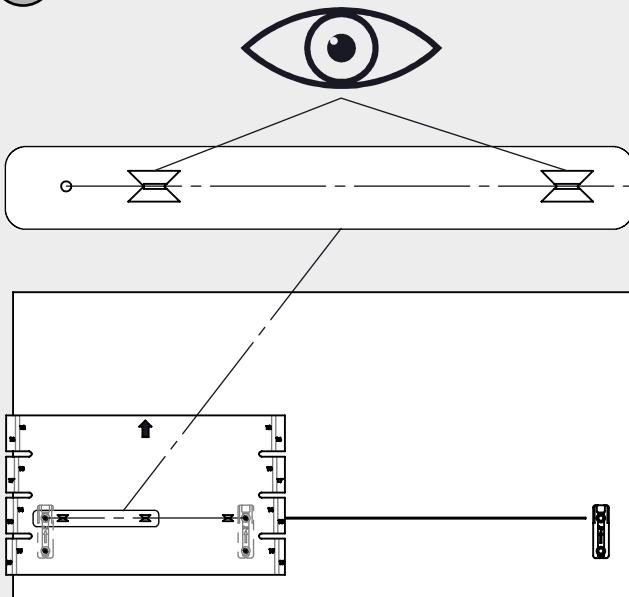
1



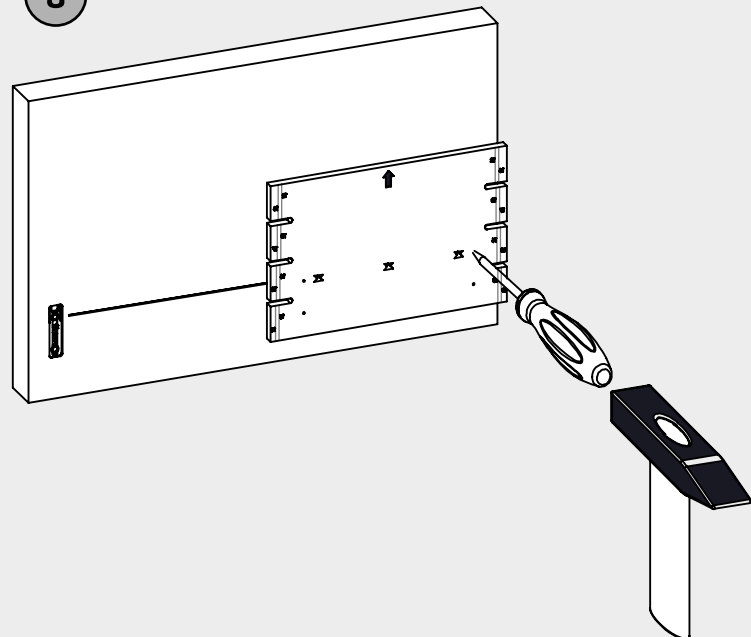
Single Shelf Application	
Cabinet Height (mm)	B Distance (mm)
1040	383
1000	366
900	310
860	302
800	258
760	242
720	218
700	210
650	185
600	160
560	143
500	112
480	105

Symmetric Double Shelf Application	
Cabinet Height (mm)	B Distance (mm)
900	361
800	310
720	282

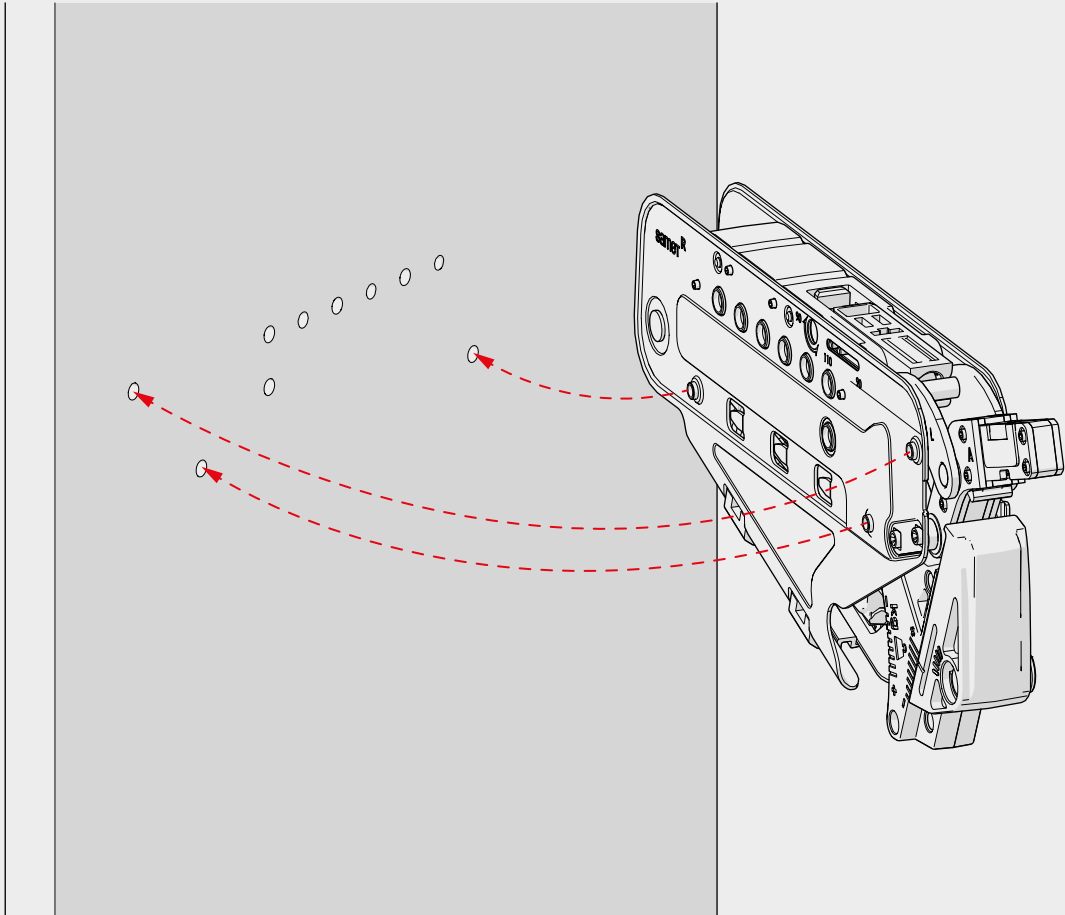
2



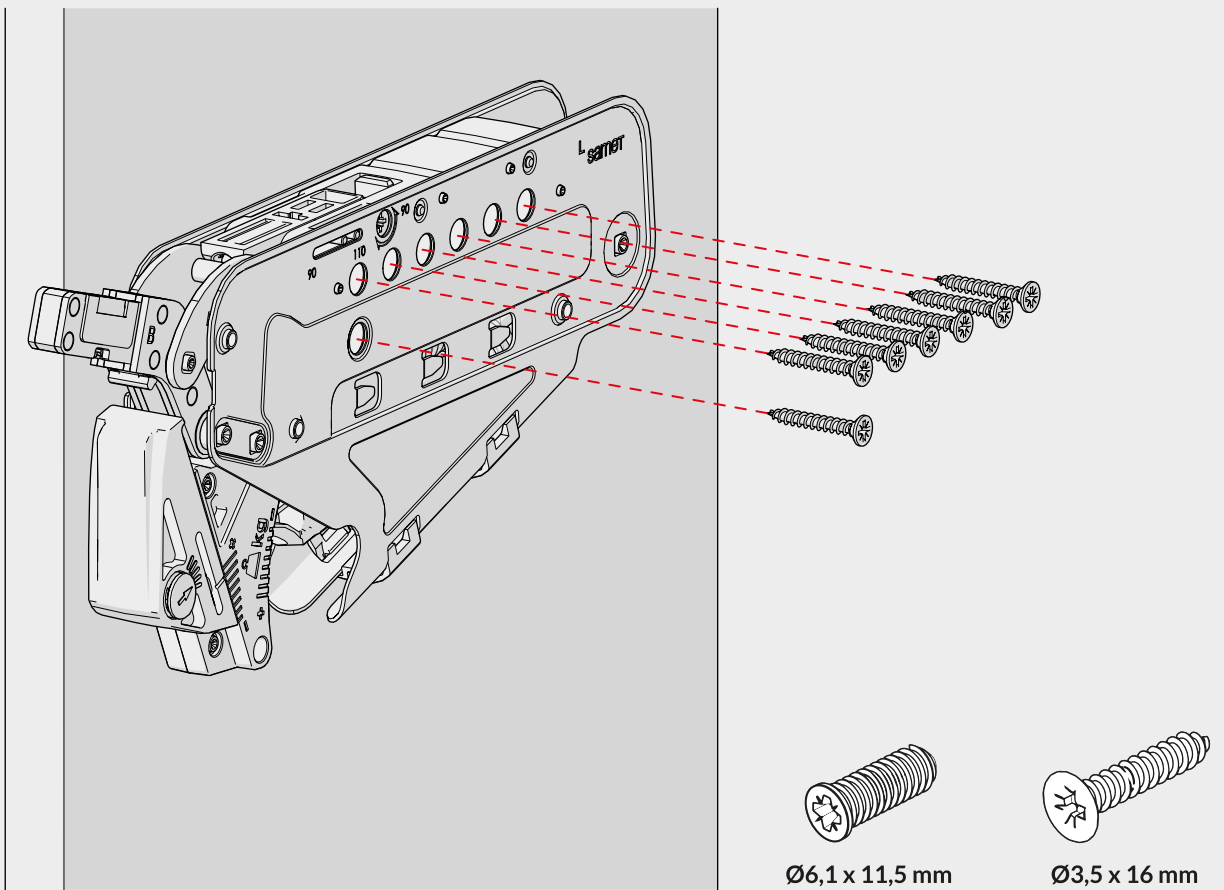
3



STEP 1



STEP 2



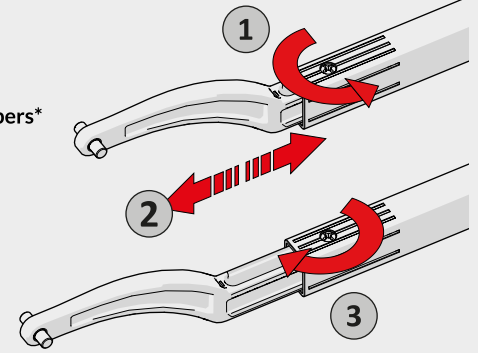
STEP 3

- 1 Loosen the screw.
- 2 Please make sure to set the proper length for telescopic arm by following hole numbers* which are stated on telescopic arms.
- 3 Tighten and fix the screw.

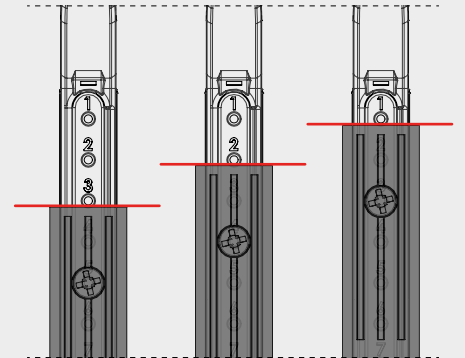
*Please refer to the hole position table for correct hole position.

Single Shelf Application		
Cabinet Height [mm]	Arm Length [mm]	Hole Number
1040	345	10
1000	345	8
900	345	1
860	345	0
800	237	8
760	237	6
720	237	3
700	237	2
650	195	4
600	195	1
560	145	5
500	145	1
480	145	0

Symmetric Double Shelf Application		
Cabinet Height [mm]	Arm Length [mm]	Hole Number
900	345	1
800	237	6
720	237	1



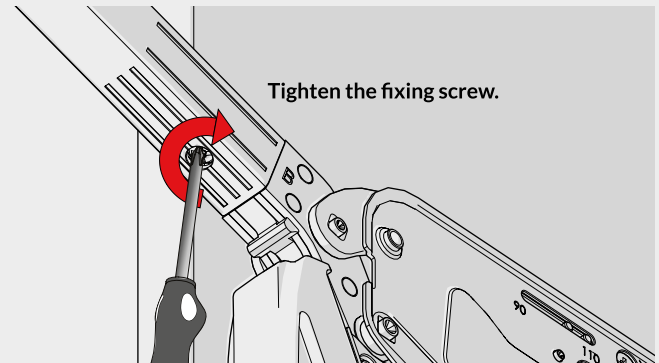
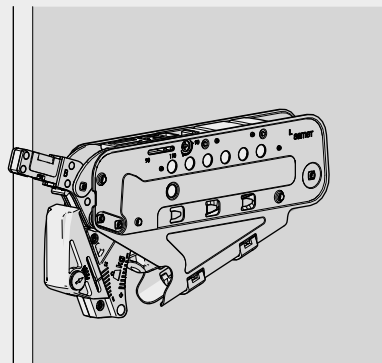
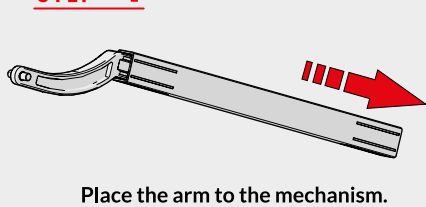
Note: If the screw is loosened during use, tighten it by bringing it to the appropriate position.



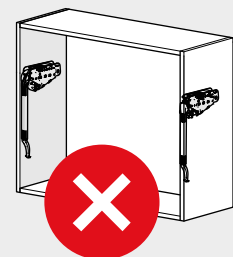
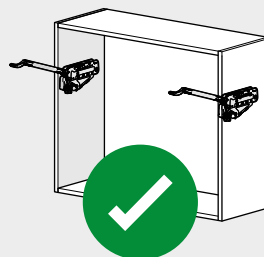
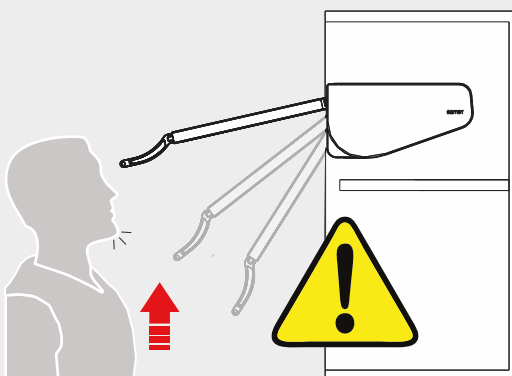
Important:
For setting the correct hole number on telescopic arms, please do the alignment by using the profile edge.

Note: For the cabinet height which is not specified in the table, installation can be done by using the information that is stated in the upper row of the closest dimension to your cabinet height.

STEP 4

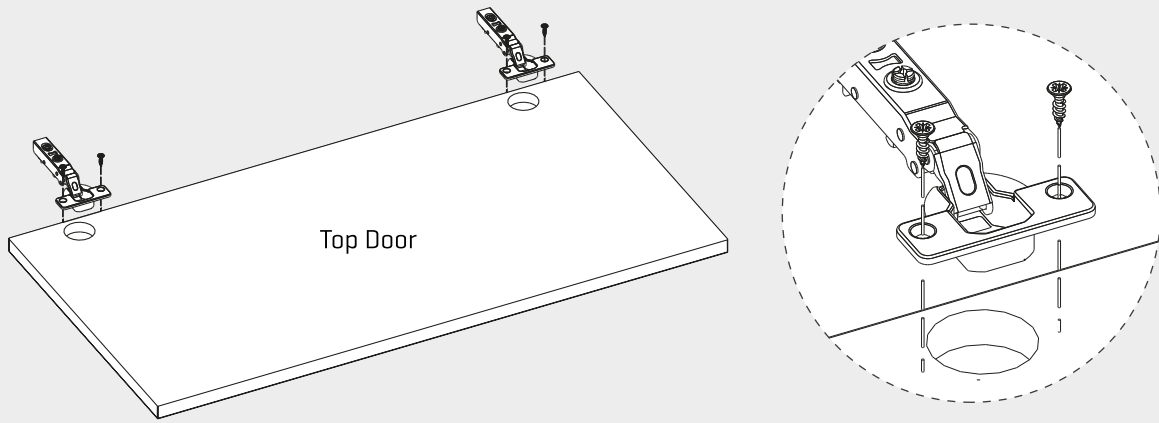


Caution

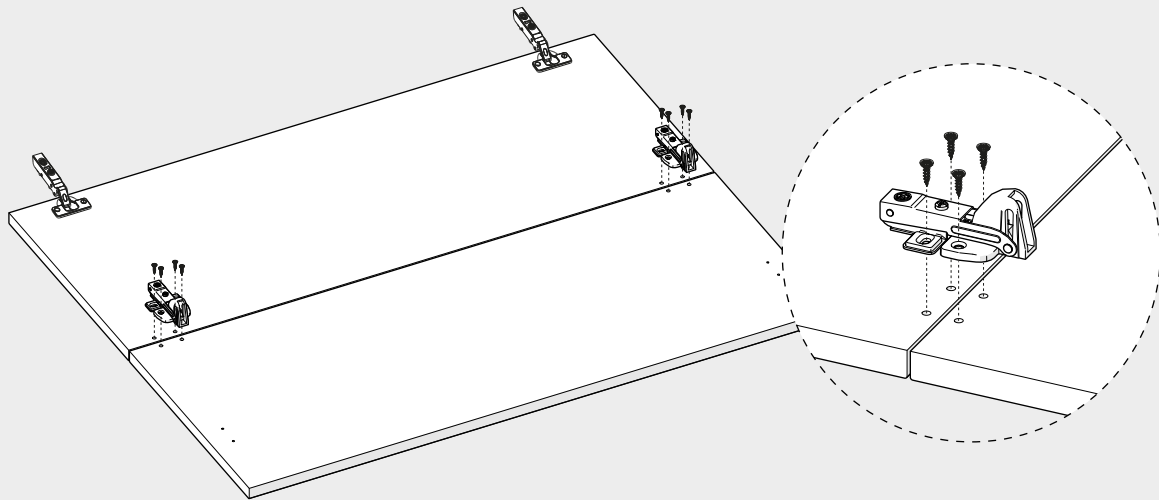


Caution: Lever arm can spring up and cause injury.

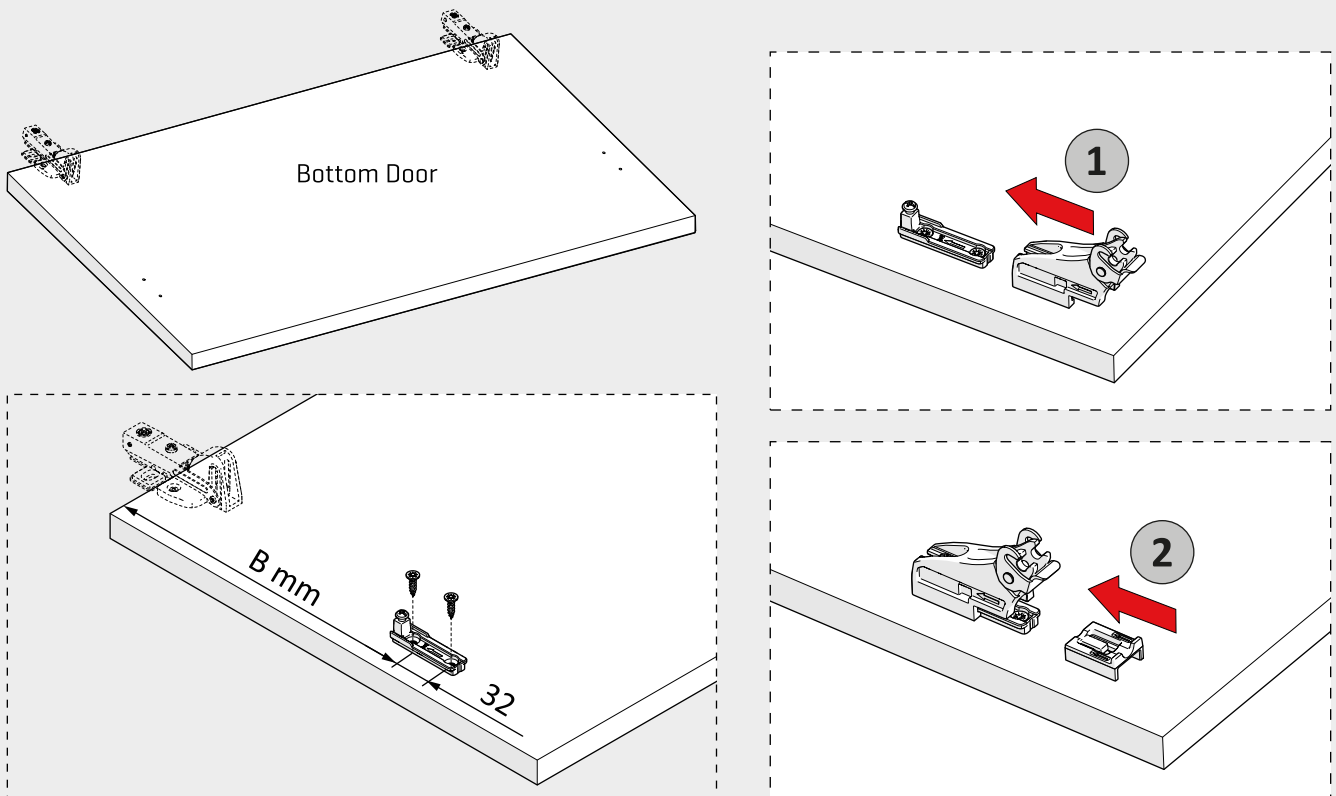
STEP 5



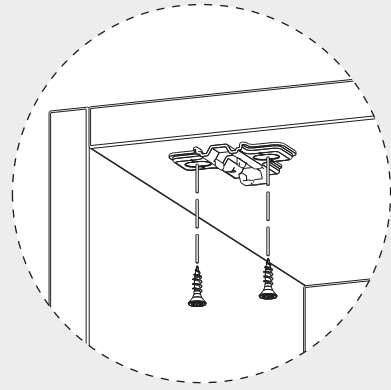
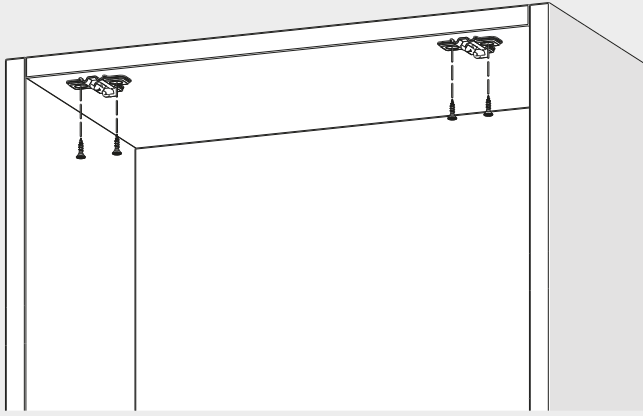
STEP 6



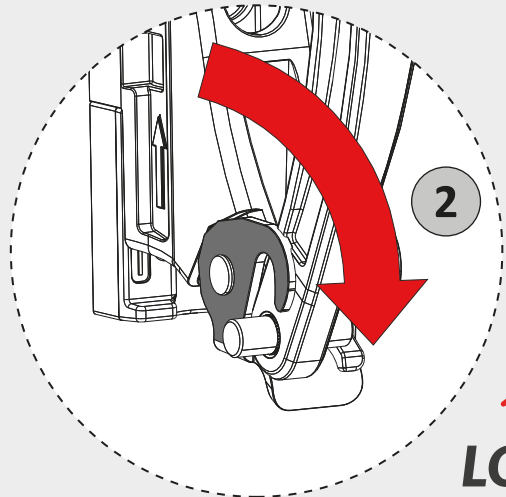
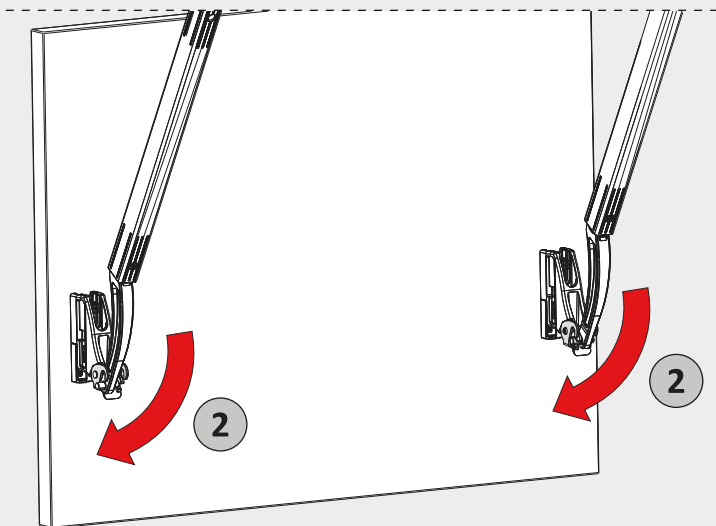
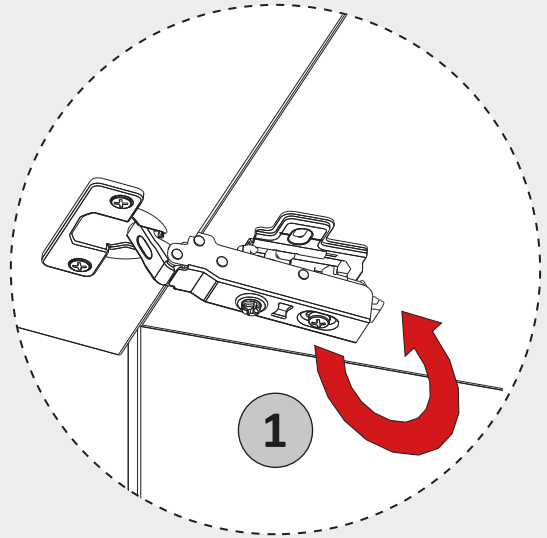
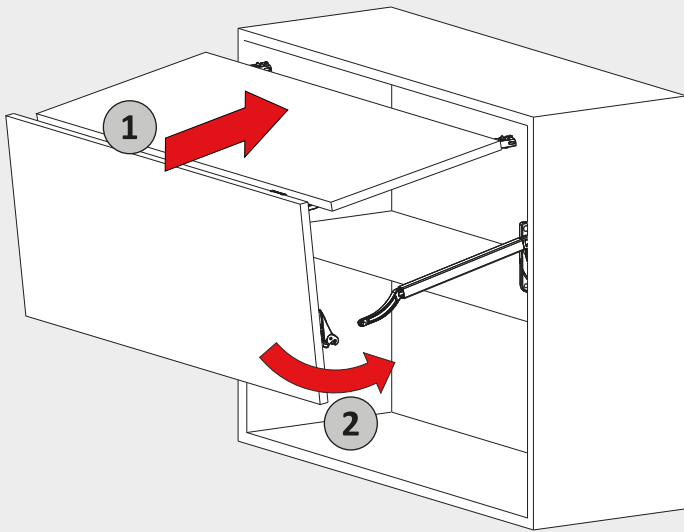
STEP 7



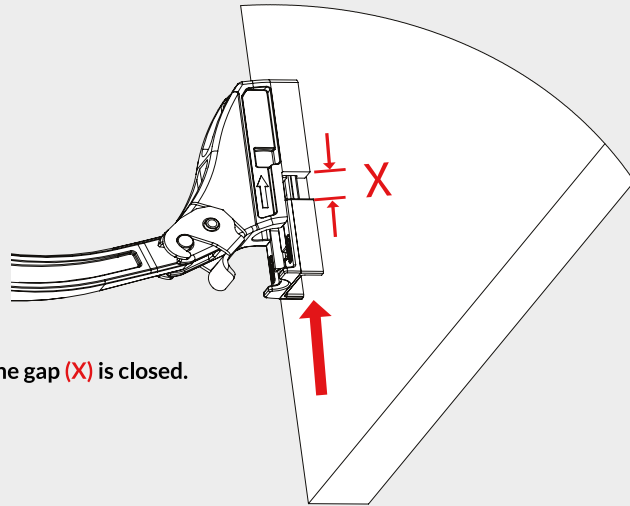
STEP 8



STEP 9



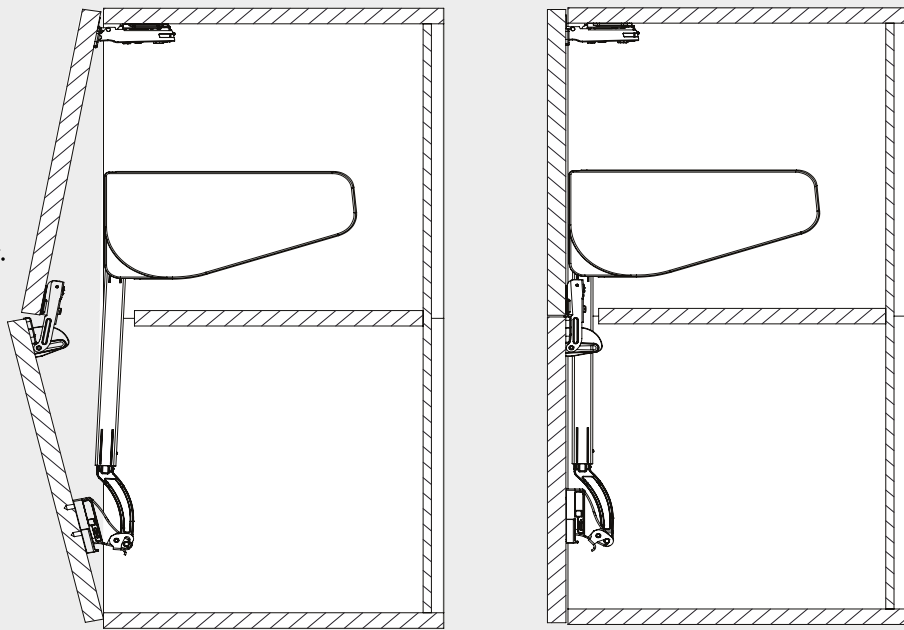
STEP 10.A



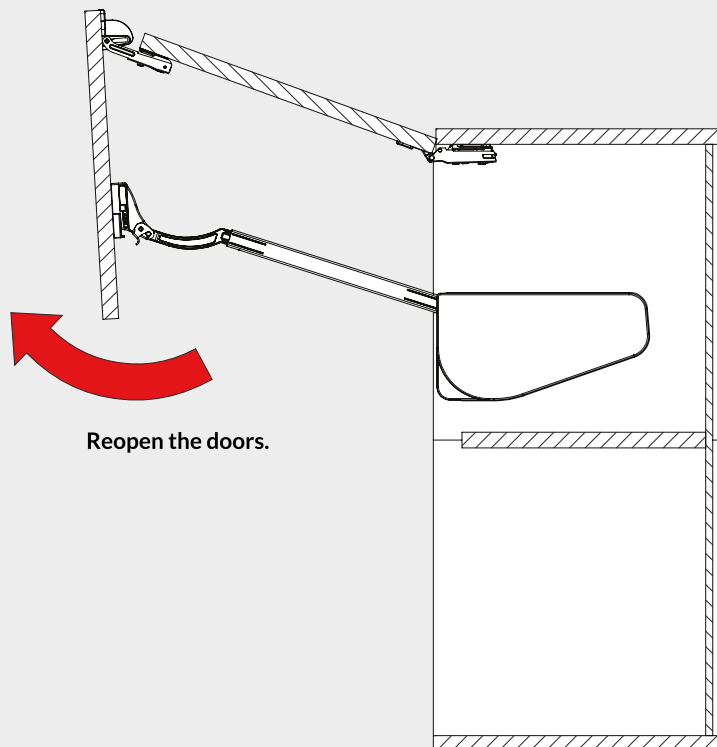
Push the lower part up until the gap (X) is closed.

STEP 10.B

Close the doors by pressing.

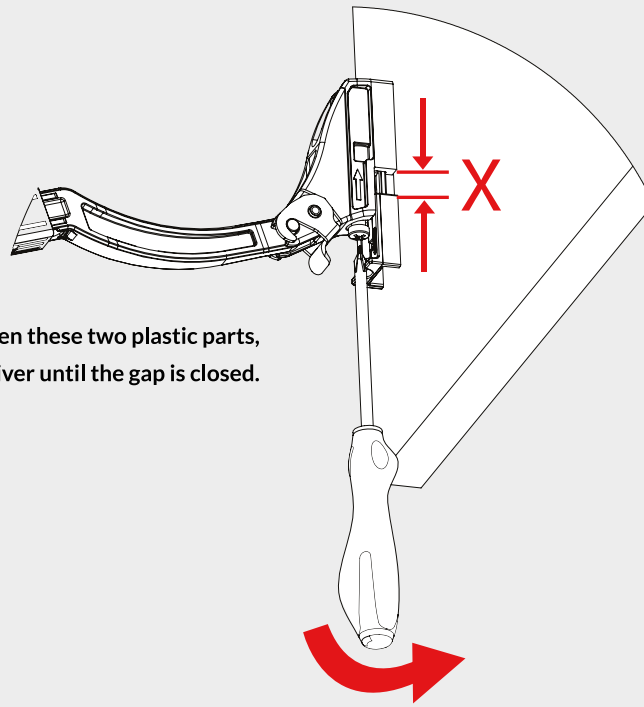


STEP 10.C



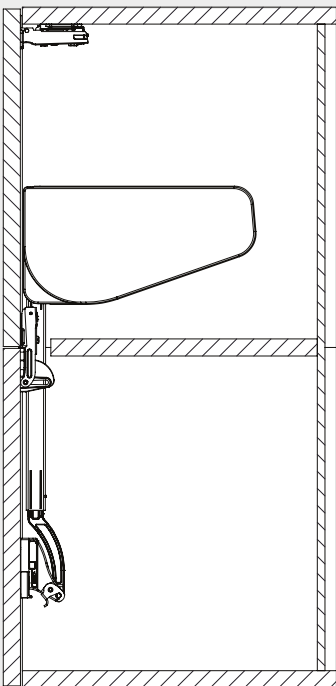
Reopen the doors.

STEP 10.D



There may be small gap between these two plastic parts, tighten the screw with screwdriver until the gap is closed.

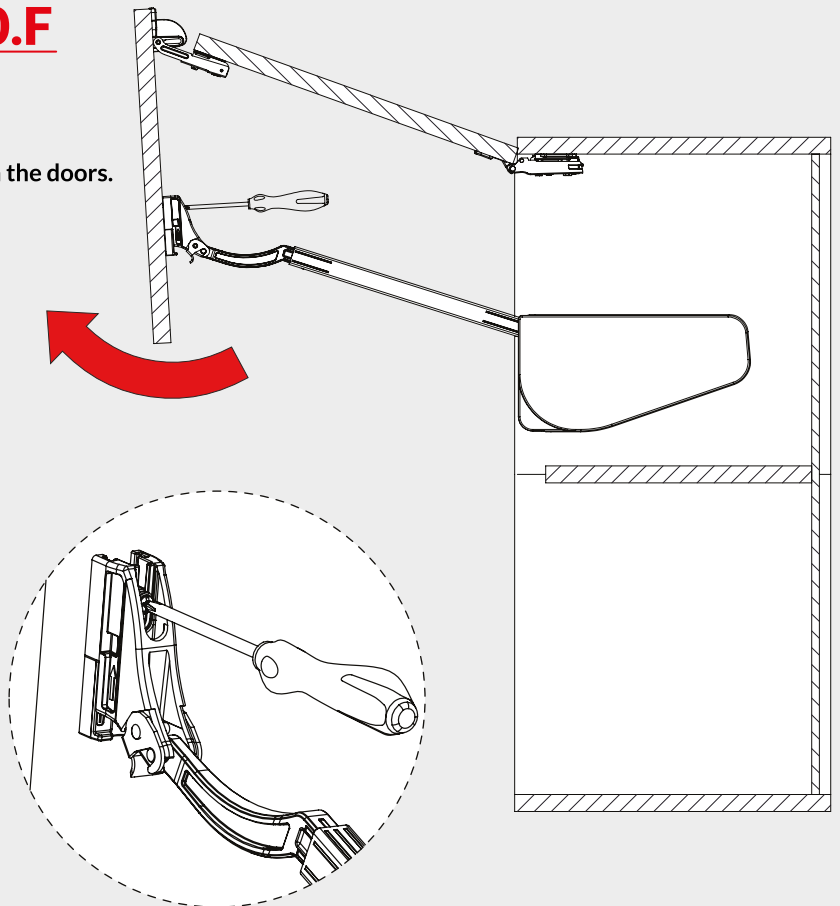
STEP 10.E



Close the doors again, arm adjustment must have been done on this step.

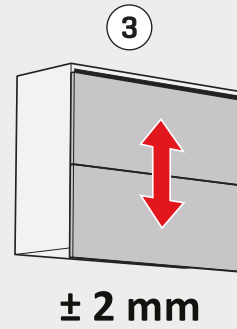
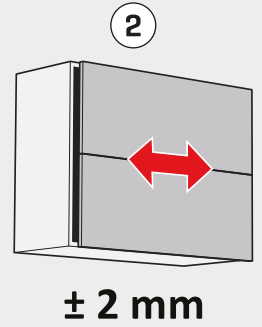
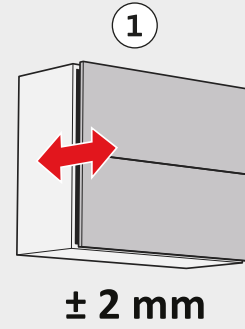
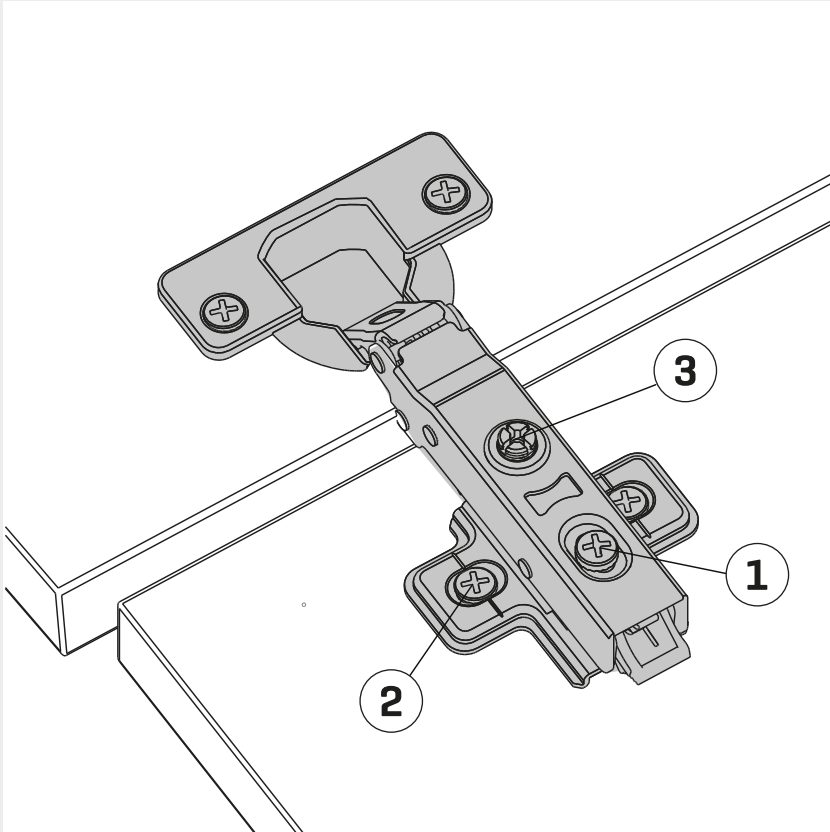
STEP 10.F

Reopen the doors.

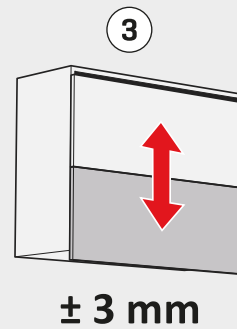
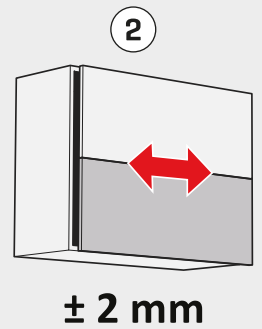
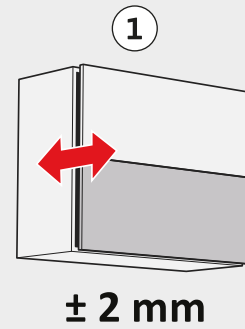
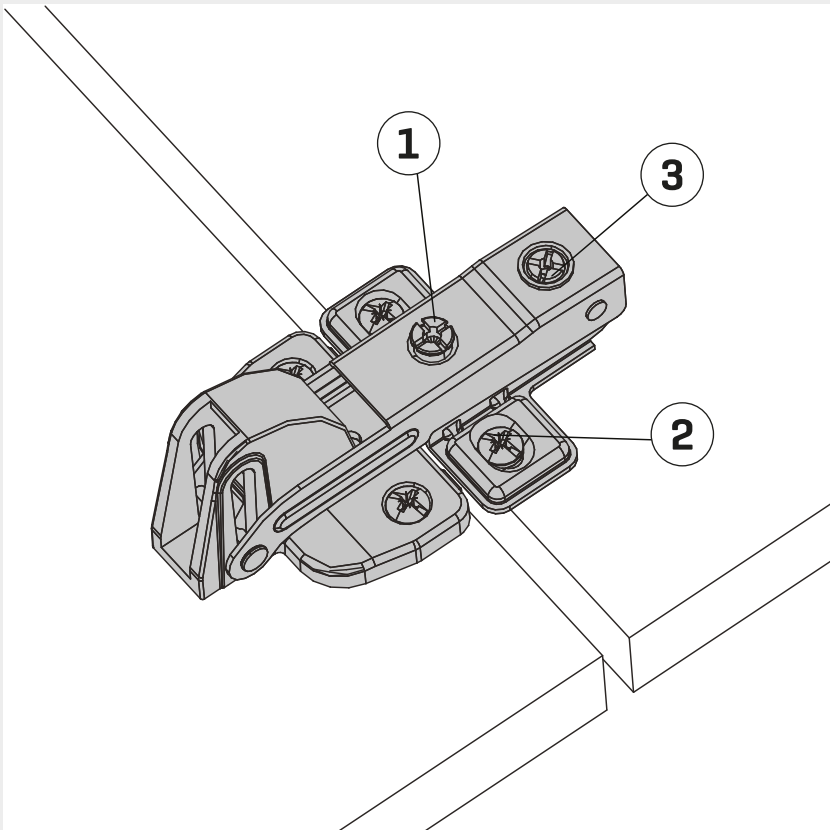


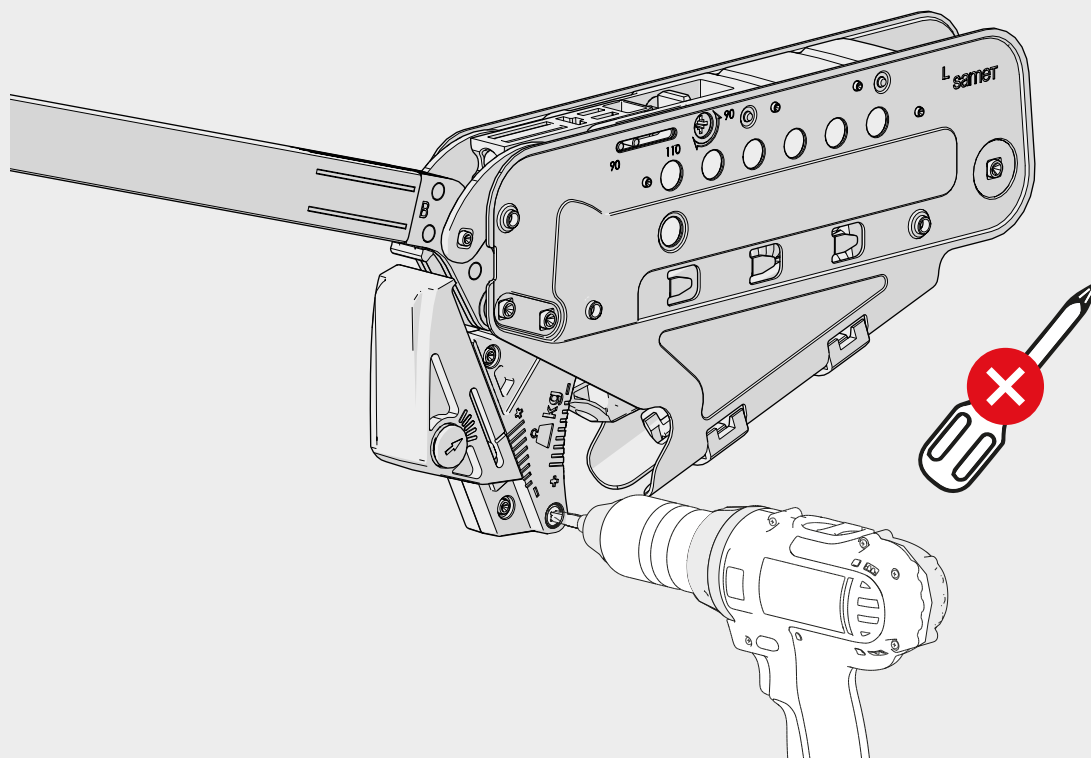
Make sure to tighten the screw to fix the arm adjustment with screwdriver.

Top Hinge

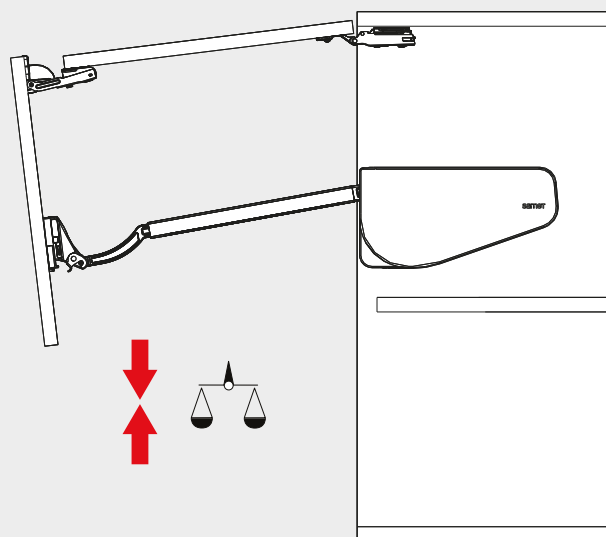


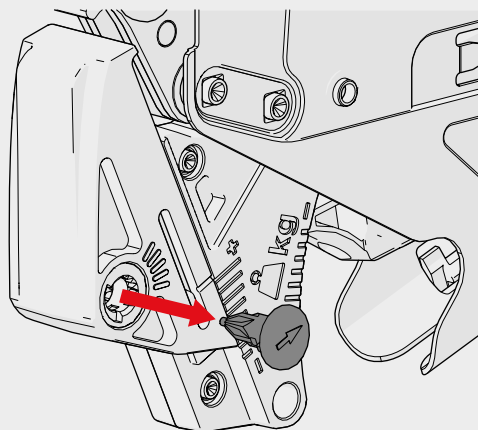
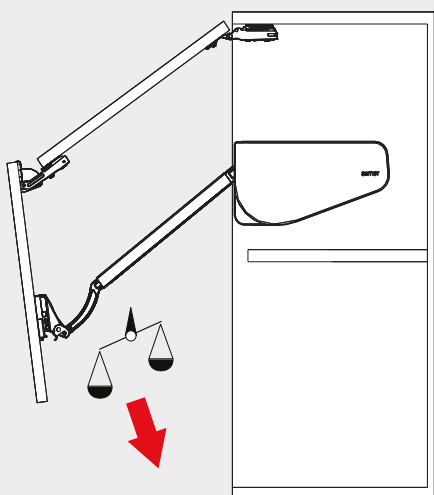
Middle Hinge





For increasing the power of the mechanism, please make the adjustment on positive direction.
For decreasing the power of the mechanism, please make the adjustment on negative direction.



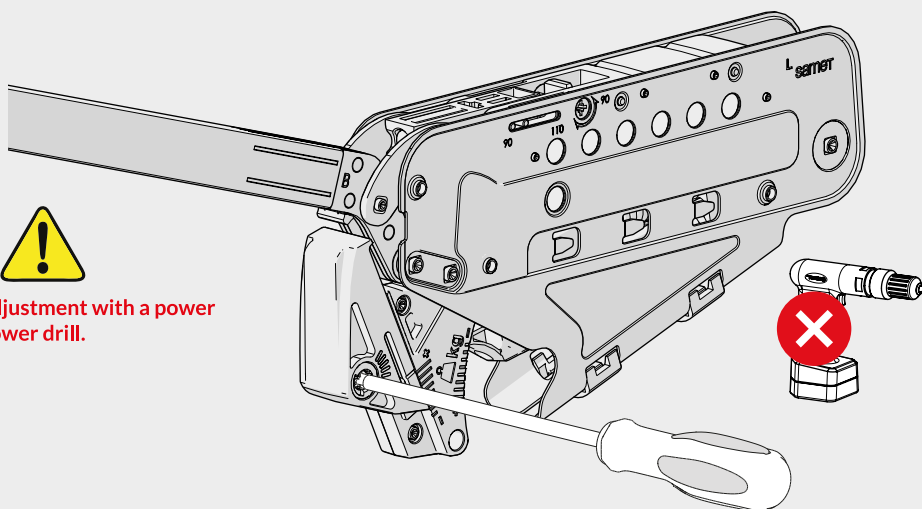


1 Take out the damper safety pin.

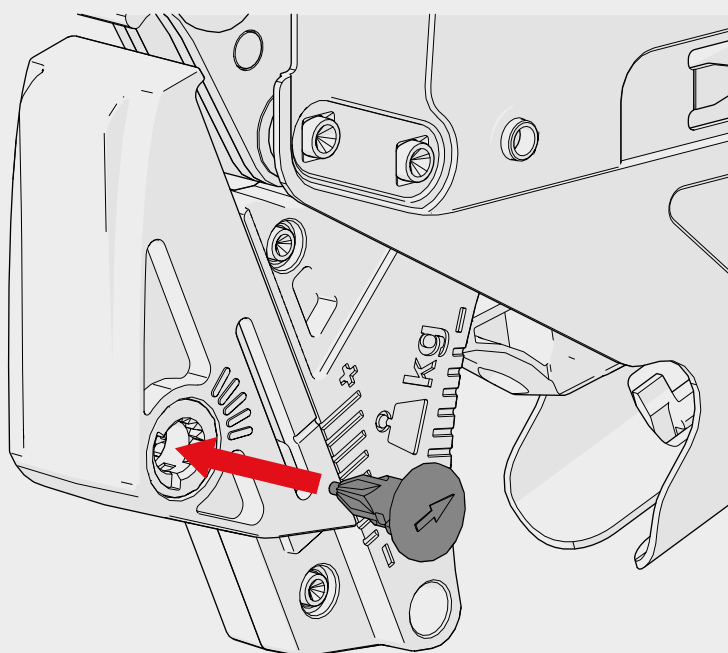
IMPORTANT



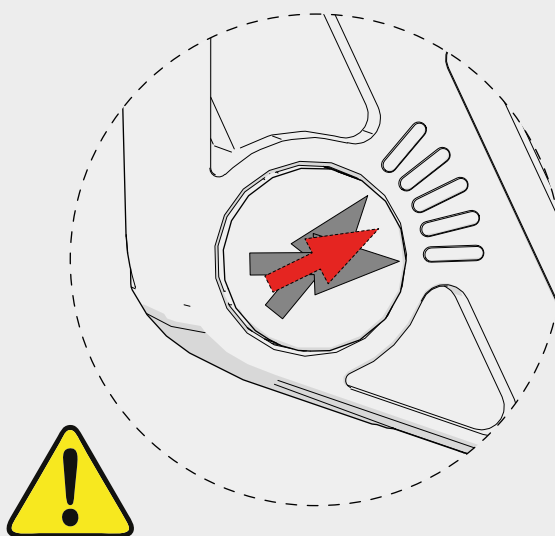
Do not make the adjustment with a power screwdriver or a power drill.



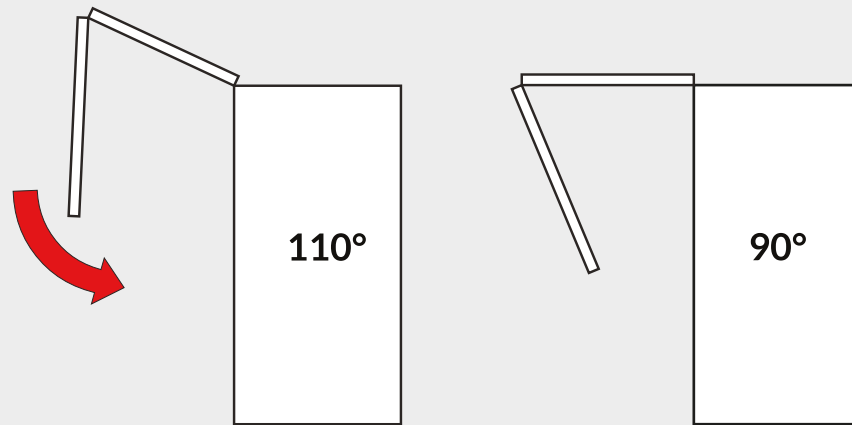
2 Adjustment on negative direction ensures faster door closing effect, adjustment on positive direction ensures slower door closing effect.



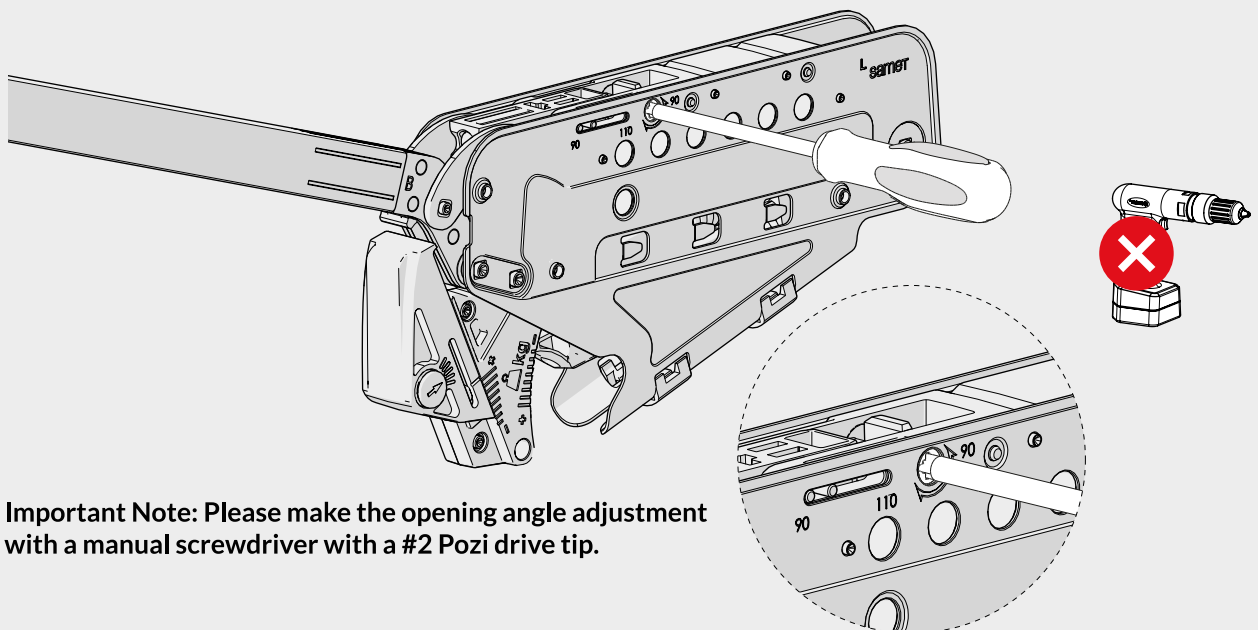
3 Place the damper safety pin.



Please pay attention to the arrow sign for placing the damper safety pin.

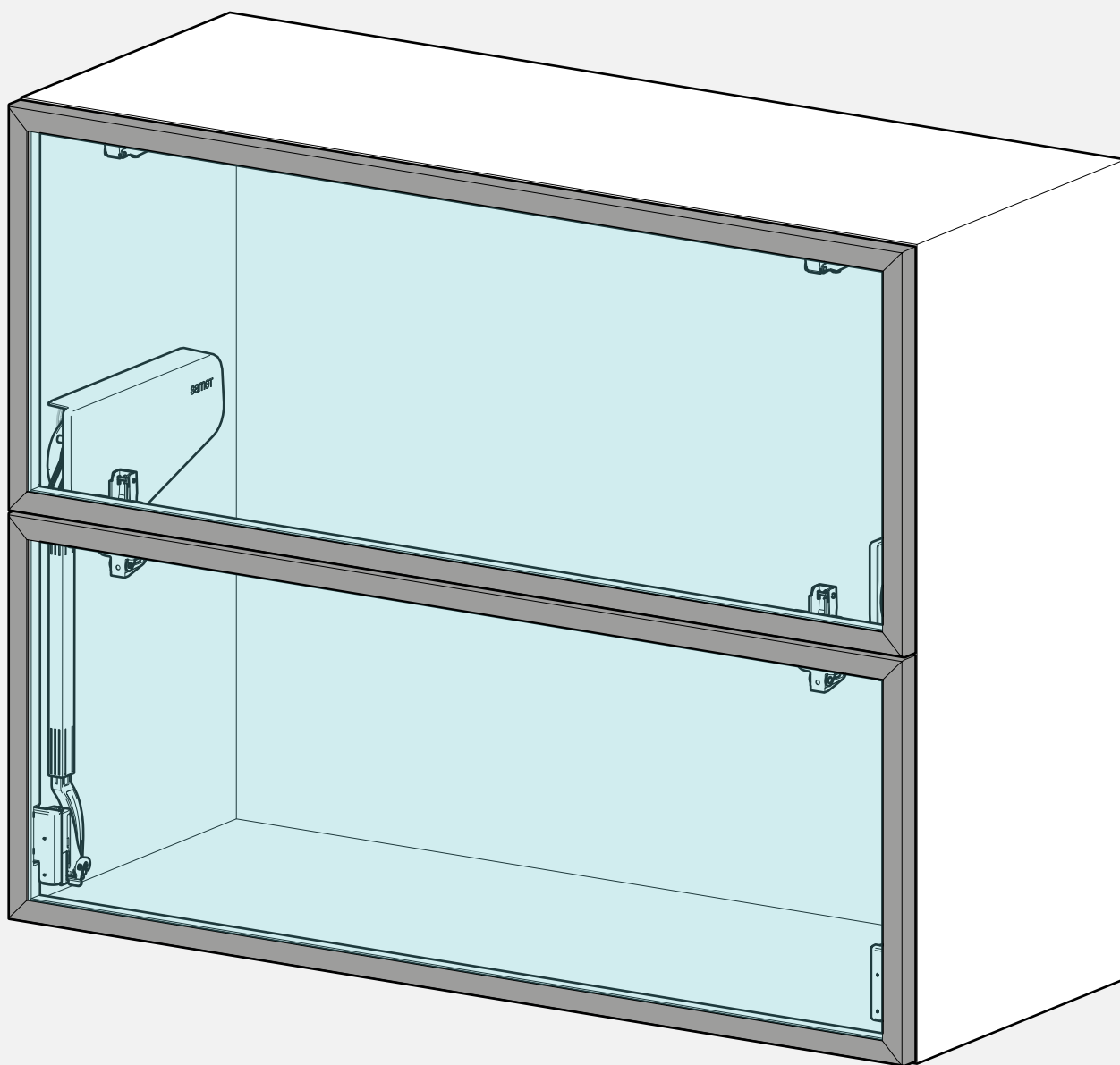


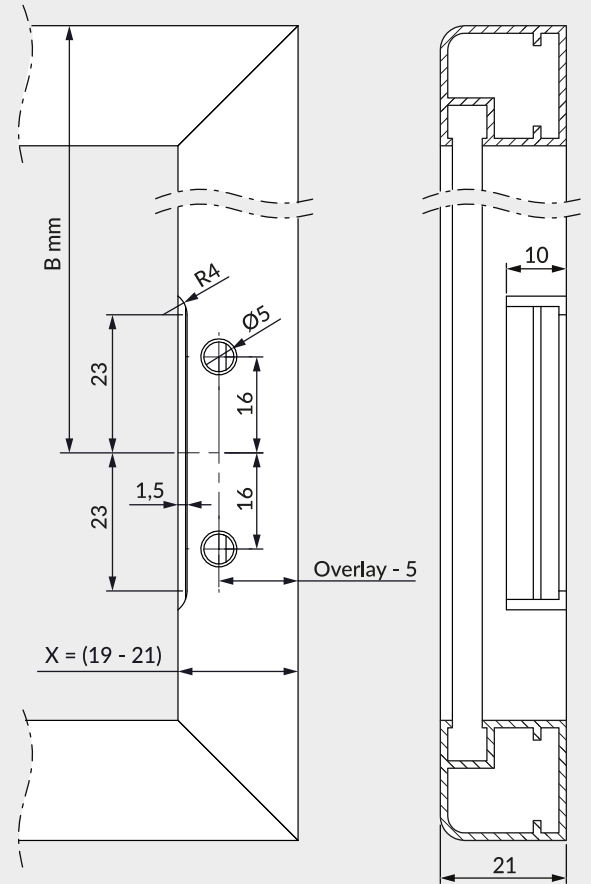
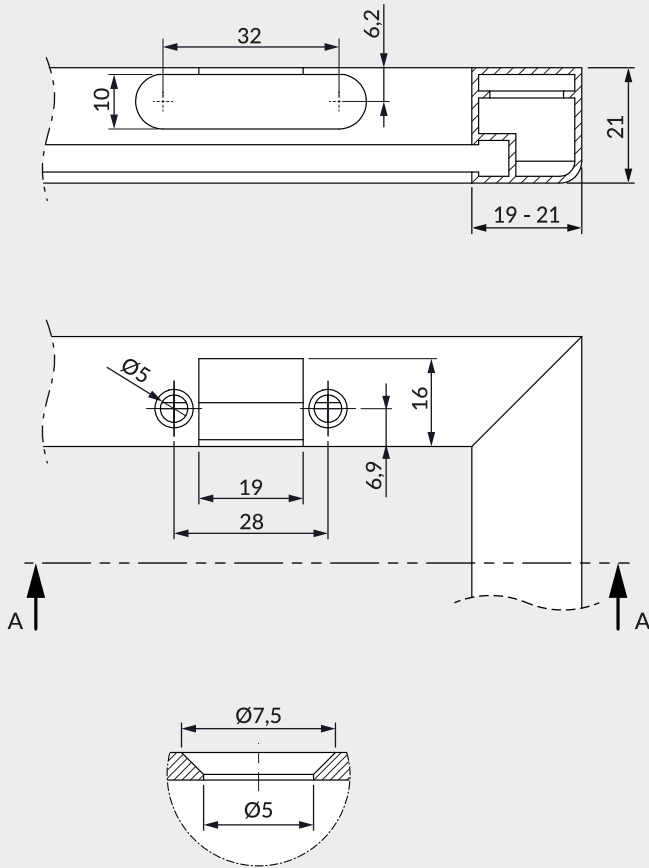
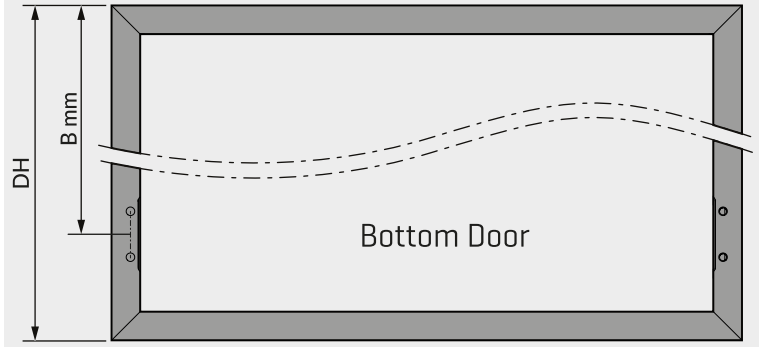
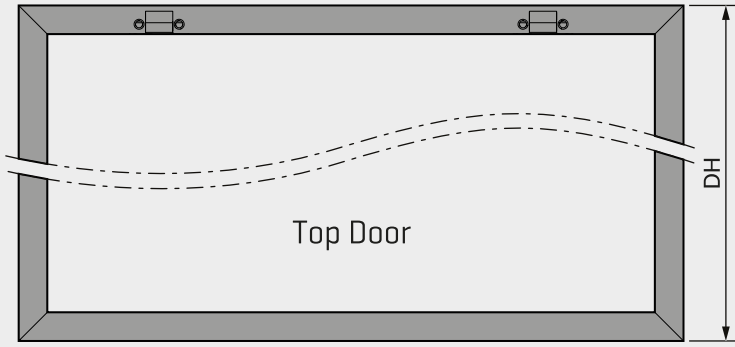
Please make sure to place the pins on the preferred opening angle.
For 90 degree opening, please lower the doors below 90 degree angle and then turn the screw towards 90 degree direction.
For 110 degree opening, please turn the screw towards 110 degree direction.



Important Note: Please make the opening angle adjustment with a manual screwdriver with a #2 Pozzi drive tip.

ALUMINIUM DOOR APPLICATION





Single Shelf Application

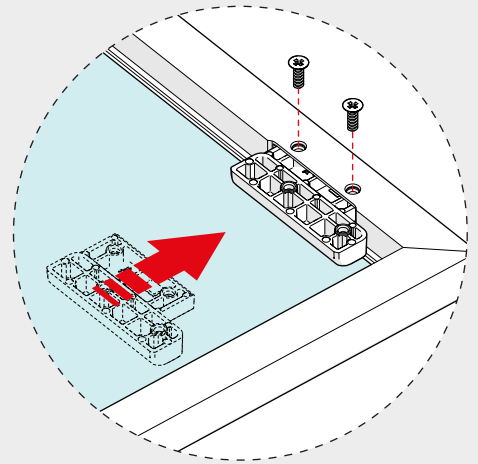
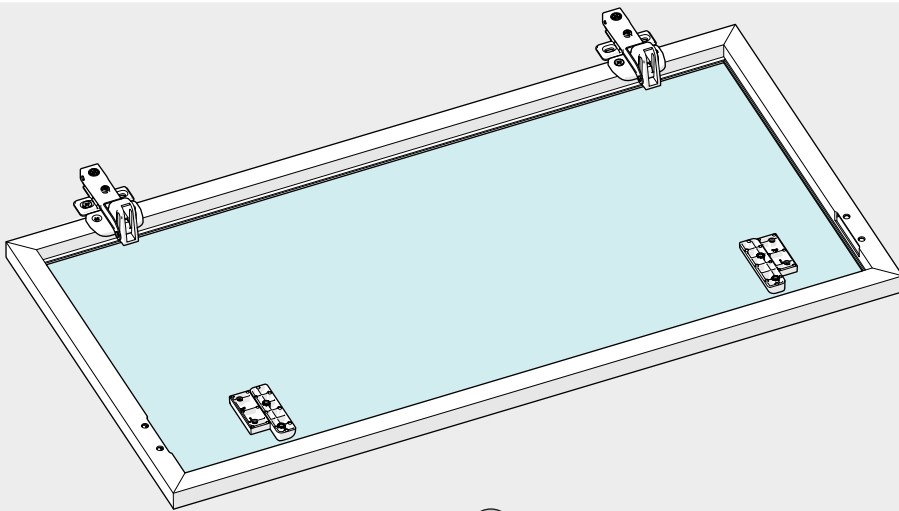
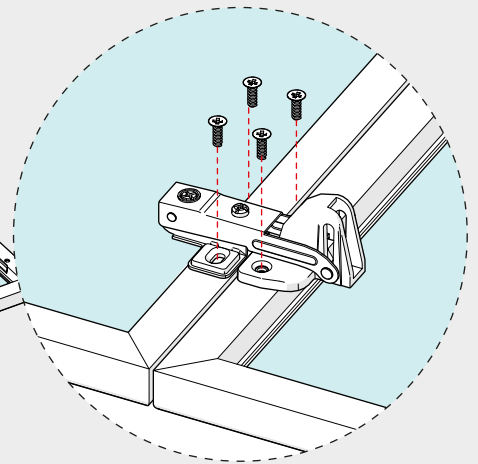
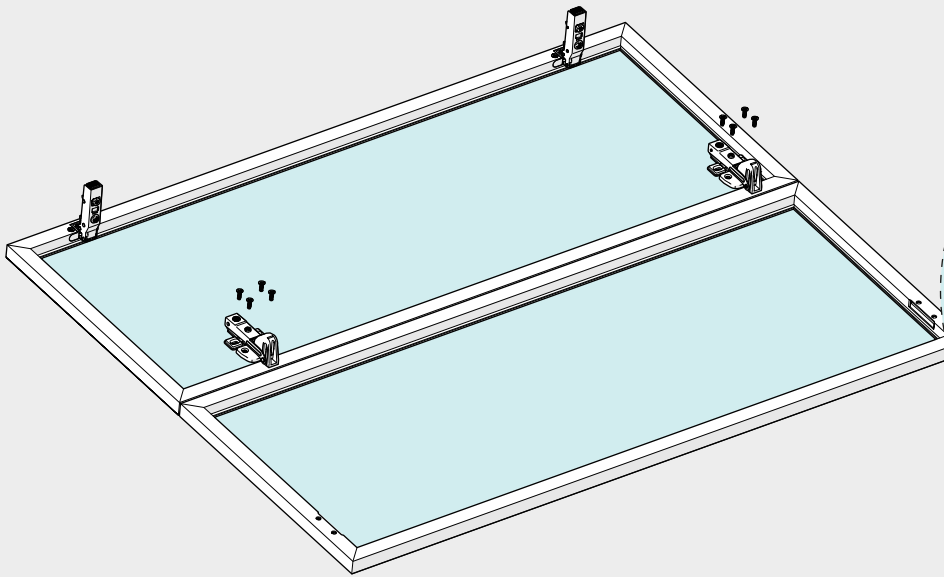
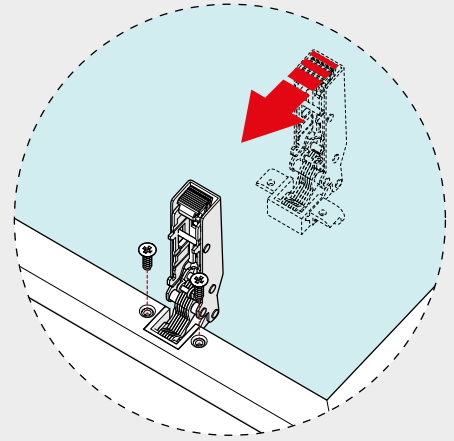
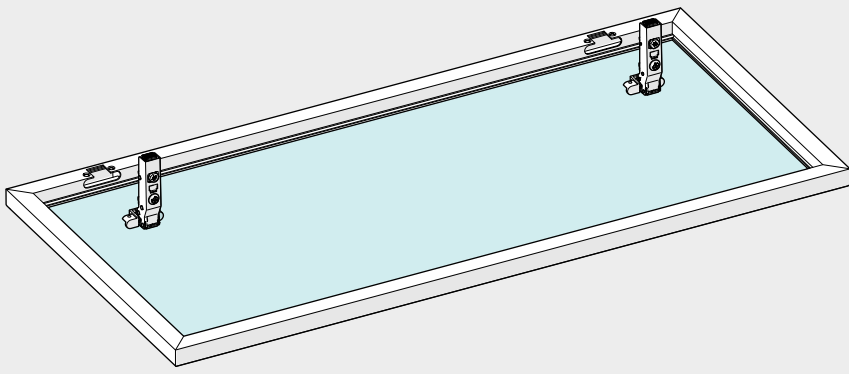
Cabinet Height (mm)	B Distance (mm)
1040	383
1000	366
900	310
860	302
800	258
760	242
720	218
700	210
650	185
600	160
560	143
500	112
480	105

Symmetric Double Shelf Application

Cabinet Height (mm)	B Distance (mm)
900	361
800	310
720	282

DH: Door Height

Note: For the cabinet height which is not specified in the table, installation can be done by using the information that is stated in the upper row of the closest dimension to your cabinet height.



1

2

3

