

SMARTSINGLE

Undermount Slide Systems



samet

Smart Slide

Single and Full Extension Options

Smart Slide Drawer Systems meet expectations for advanced design creation with full and single extension options, which are developed with the purpose of meeting various design needs.



How many different ways could there be to open a Smart Slide Single Drawer ?

Soft Close Version

Thanks to SAMET innovation center, Smart Slide Single adaptive soft close system has been developed with cutting-edge technology to ensure gentle and quiet closing.



Push-Open Version

Smart Slide Single Drawer Systems "Push Open" function simplifies the use of non-handle drawers with a single touch movement.



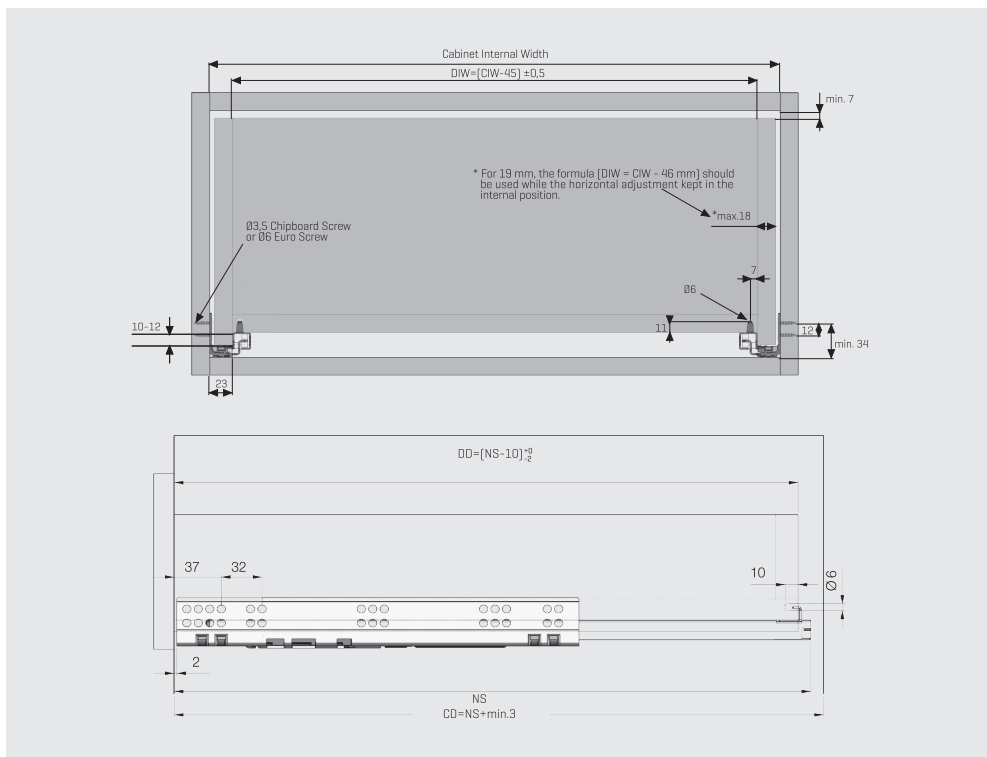
Lock-Fix and Pin-Fix Mechanism Options

Lock-Fix mechanism was especially designed for the quick and flexible installation process of Smart Slide Drawer Systems. "Pin-Fix System" was particularly developed for industrial furniture producers to ensure ease and safety during installation.

With wide drawer size alternatives within a range of 250 mm to 600 mm, different requirements can be met, which ensures different solutions during furniture production. The possibility to lock as tight as desired ensures safety during drawer utilization.



Drawer and Cabinet Dimensions P-0 / S-C [Lock Fix]



CD Cabinet Depth
 CIW Cabinet Internal Width
 NS Nominal Size
 DIW Drawer Internal Width
 DD Drawer Depth

* All dimensions in the diagram are in mm

Recommended Screws for Slide Assembly

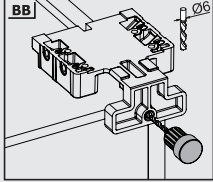
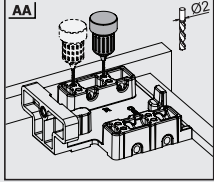
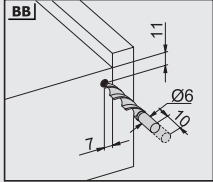
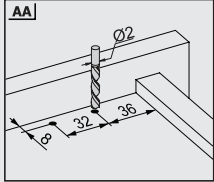
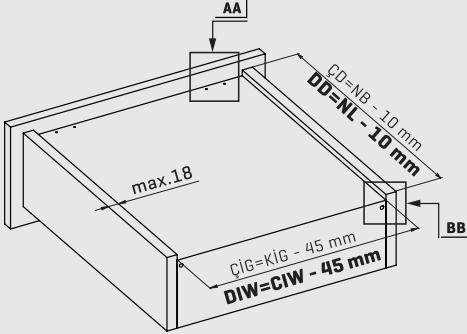
03,5x16 mm Chipboard Screw



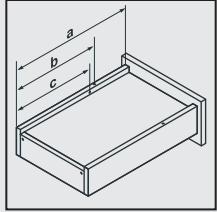
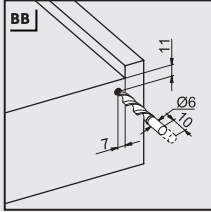
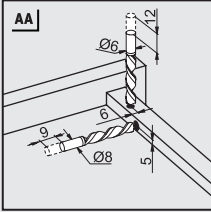
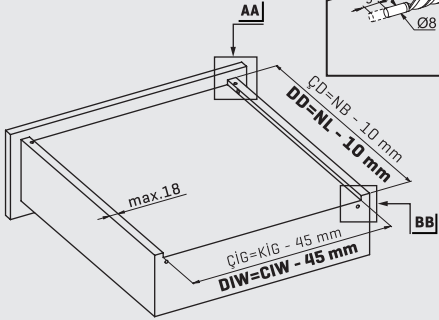
06,1x11,5 mm Euro Screw



Lock - Fix Drilling Holes

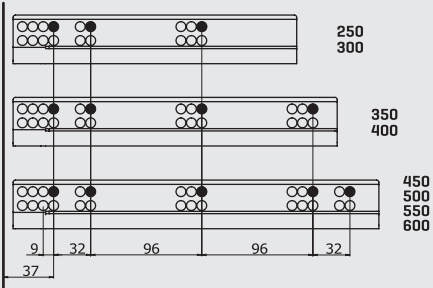


Pin - Fix Drilling Holes



Nominal Length NL (mm)	Drawer Depth a (mm)	Pin b (mm)	Safety Pin c (mm)
250	240	221	201
300	290	271	251
350	340	321	301
400	390	371	351
450	440	421	401
500	490	471	451
550	540	521	501
600	590	571	551

Screw Location for the Slides



Screw the slide from marked holes.

Single Extension Lock Fix

Smart Slide Drawer Slide Right-Left			
NOMINAL SIZE	CODE With Soft Close	CODE Without Soft Close	PACKING
250 mm	127221301	12722111	12 Set
300 mm	127221302	12722112	12 Set
350 mm	127221303	12722113	12 Set
400 mm	127221304	12722114	12 Set
450 mm	127221305	12722115	12 Set
500 mm	127221306	12722116	12 Set
550 mm	127221307	12722117	12 Set
600 mm	127221308	12722118	12 Set

Industrial Package Right-Left			
NOMINAL SIZE	CODE Right	CODE Left	PACKING
250 mm	127221311	127221321	24 Pcs
300 mm	127221312	127221322	24 Pcs
350 mm	127221313	127221323	24 Pcs
400 mm	127221314	127221324	24 Pcs
450 mm	127221315	127221325	24 Pcs
500 mm	127221316	127221326	24 Pcs
550 mm	127221317	127221327	24 Pcs
600 mm	127221318	127221328	24 Pcs

SmartLock® Right-Left		
CODE Right	CODE Left	PACKING
12790773	12790774	120 Pcs

Single Extension Soft Close Pin Fix

Smart Slide Drawer Slide Right-Left		
NOMINAL SIZE	CODE With Soft Close	PACKING
250 mm	127221401	12 Set
300 mm	127221402	12 Set
350 mm	127221403	12 Set
400 mm	127221404	12 Set
450 mm	127221405	12 Set
500 mm	127221406	12 Set
550 mm	127221407	12 Set
600 mm	127221408	12 Set

Industrial Package Right-Left			
NOMINAL SIZE	CODE Right	CODE Left	PACKING
250 mm	127221411	127221421	24 Pcs
300 mm	127221412	127221422	24 Pcs
350 mm	127221413	127221423	24 Pcs
400 mm	127221414	127221424	24 Pcs
450 mm	127221415	127221425	24 Pcs
500 mm	127221416	127221426	24 Pcs
550 mm	127221417	127221427	24 Pcs
600 mm	127221418	127221428	24 Pcs

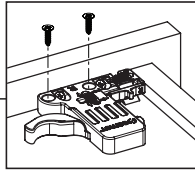
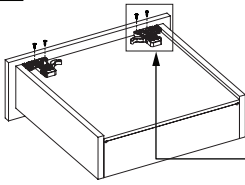
Single Extension Push Open Lock Fix

Smart Slide Drawer Slide Right-Left		
NOMINAL SIZE	CODE	PACKING
250 mm	12722411	12 Set
300 mm	12722412	12 Set
350 mm	12722413	12 Set
400 mm	12722414	12 Set
450 mm	12722415	12 Set
500 mm	12722416	12 Set
550 mm	12722417	12 Set
600 mm	12722418	12 Set

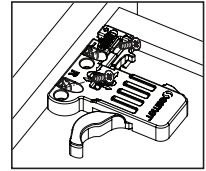
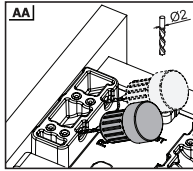
SmartLock® Right-Left		
CODE Right	CODE Left	PACKING
12790773	12790774	120 Pcs

LOCK-FIX ASSEMBLY INSTRUCTIONS

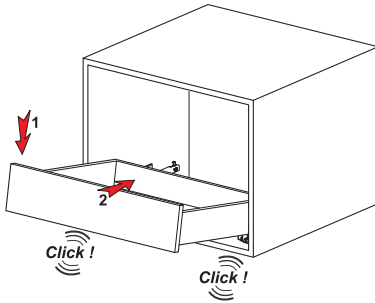
1



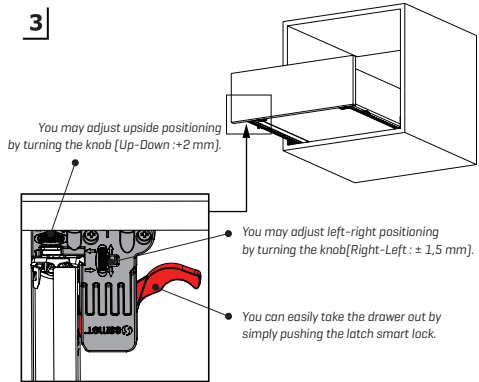
Note: Use angled holes to mount smart lock when wooden floor width is selected less than 12 mm.



2

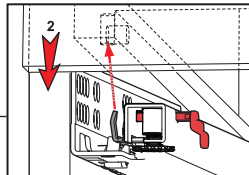
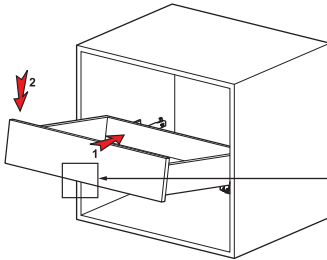


3



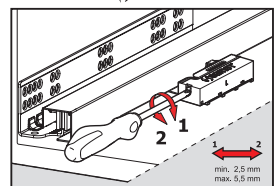
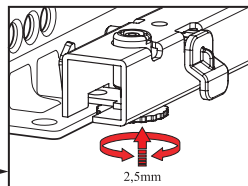
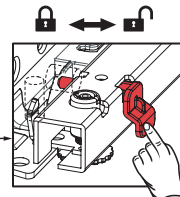
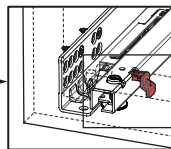
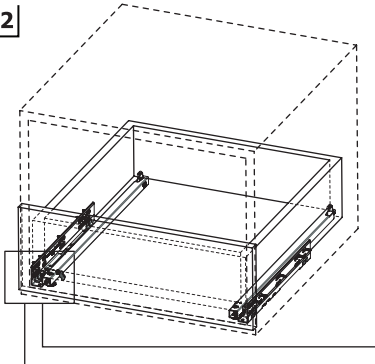
PIN - FIX ASSEMBLY INSTRUCTIONS

1



Important!!!
Make sure keep the safety pin open before the drawer is placed.


2




samet



www.sametglobal.com

 [sametinternational](#)

 [samet_global](#)

 [SametGroup](#)

 [Samet Kalıp ve Madeni Eşya San. ve Tic. A.Ş.](#)