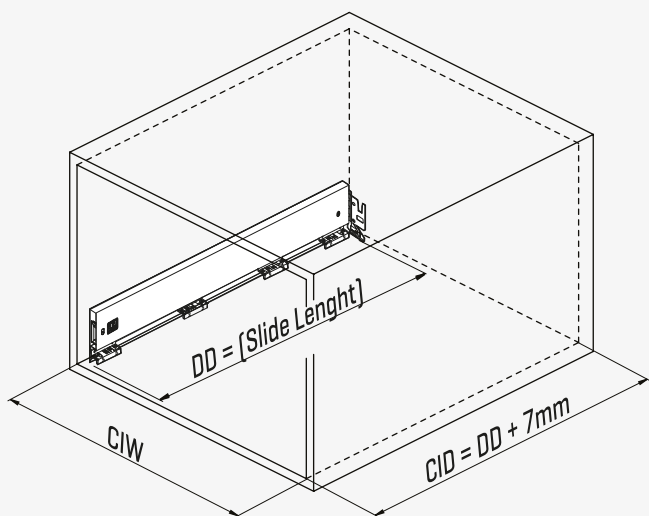


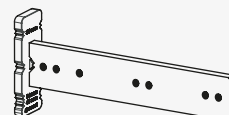


Cabinet Dimensions

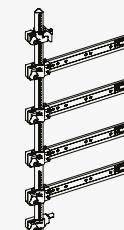


Cabinet Internal Width	CIW
Cabinet Internal Depth	CID
Drawer Depth	DD
Drawer Internal Width	DIW
Nominal Length	NL

Recommended Screw and Templates

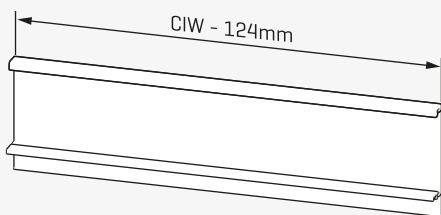


Smart Drilling Jig

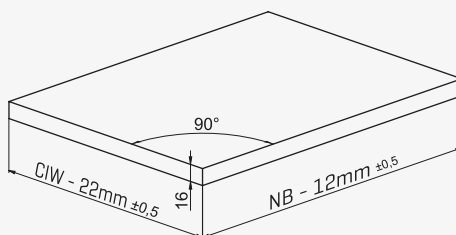


Smart Drilling Jig with Ruler

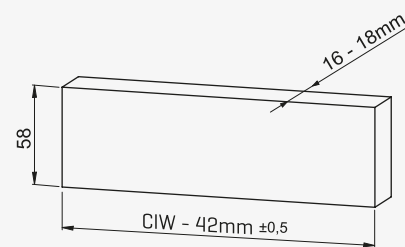
Front Panel



Wooden Drawer Floor

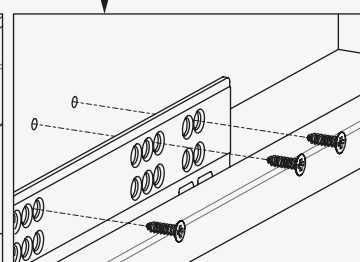
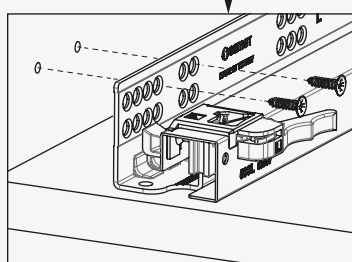
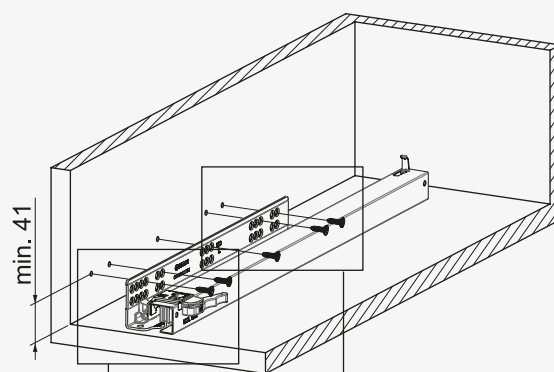
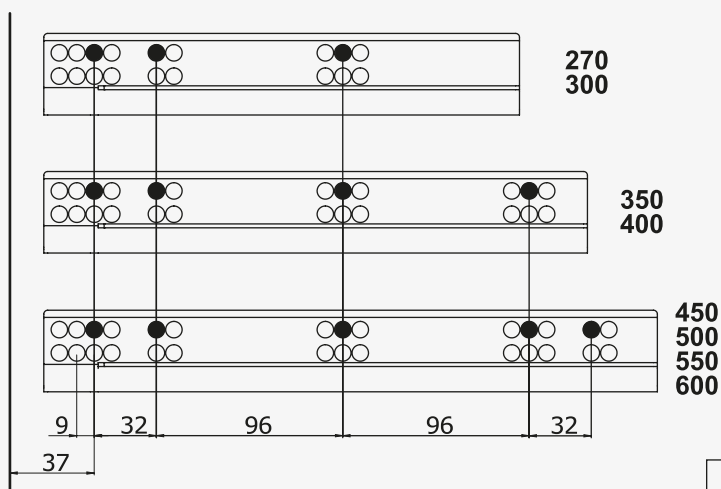


Wooden Backboard



Screw Location for The Slides

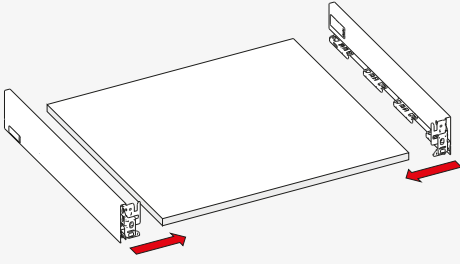
*Screw the slides from marked holes.



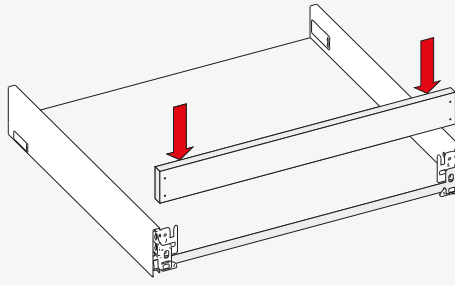


Assembly

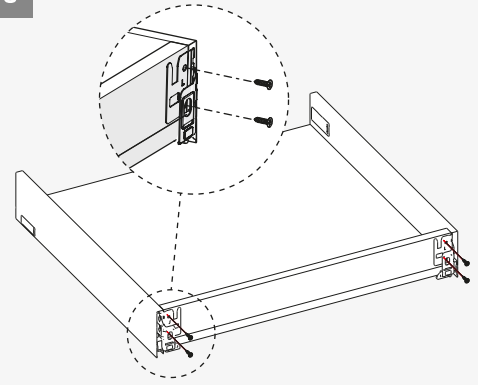
1



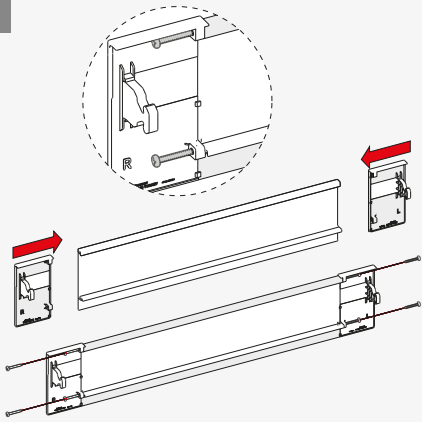
2



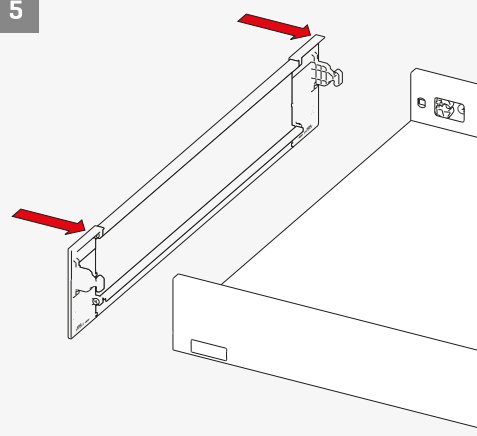
3



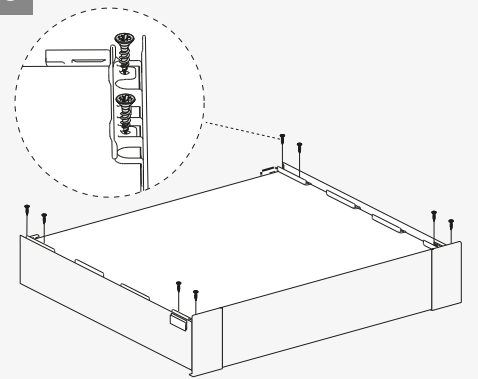
4



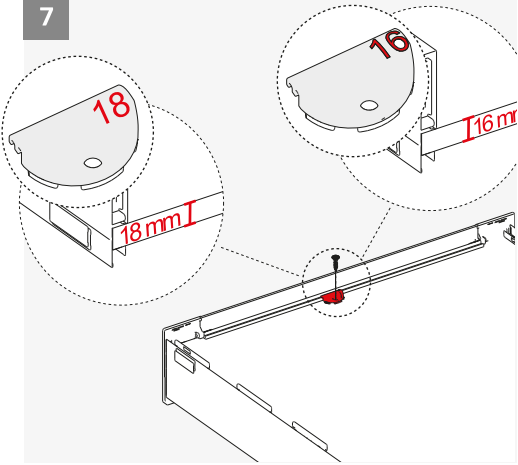
5



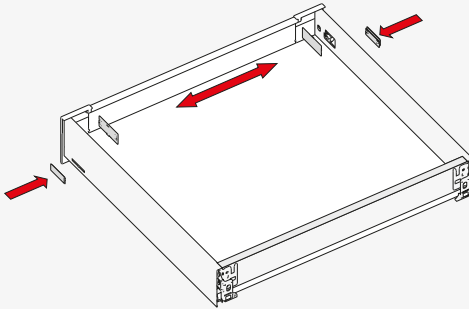
6



7



8



9

