

# MASTER

New Generation Hinge Systems



**Master Soft-Close Hinge** is a new generation hinge system, ensuring a high level of movement and assembly comfort due to high-level adjustment feature. It was developed after research and advanced tests carried by SAMET R&D center.

## Elegant Design

The Master hinge boasts a pure and aesthetic design, crafted from superior materials for an unmatched steel hardware experience. With its wide product range and , it seamlessly complements various cabinet designs, ensuring a perfect fit for any style preference.

## High Quality

**Master Soft-Close Hinge** Series were designed with the advanced technology of SAMET R&D Center and produced by using fully - automated robotic production systems.

**MASTER** | **BLACK**

Perfect Design Meets with Elegant Black Finish



## Integrated Soft-Close System

The Master hinge's integrated soft-close system offers excellent silent movement and smooth operation, ensuring LGA certificated superior performance and adding top level comfort to daily life.



## Easy Installation

Track Mechanism in **Master Soft-Close Hinge** provides toolless assembly-disassembly feature, which also simplifies installation process and help to save time.

## Advanced 3D Adjustment

Wide range 3D adjustment in six direction ensures assembly comfort and better precision for furnitures.

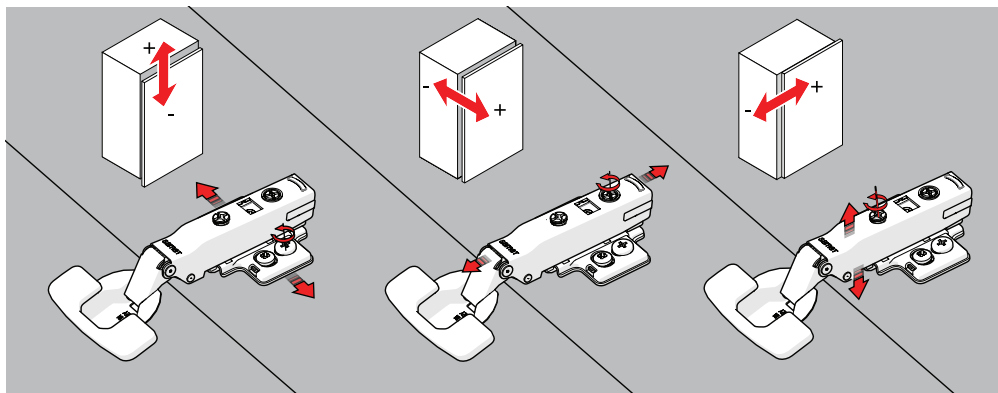
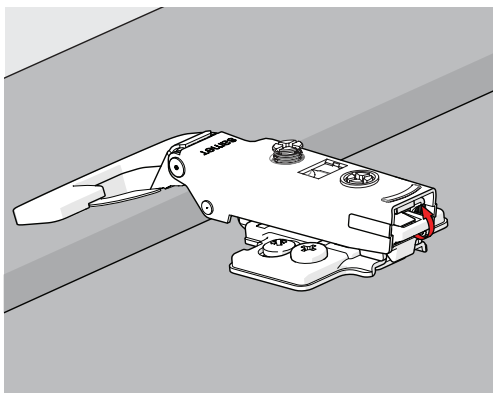
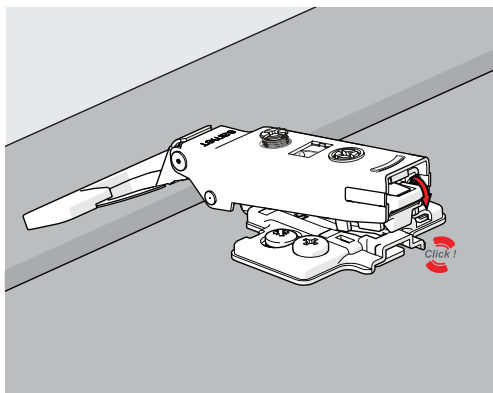
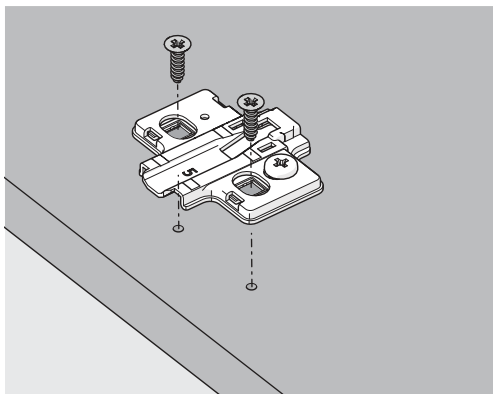
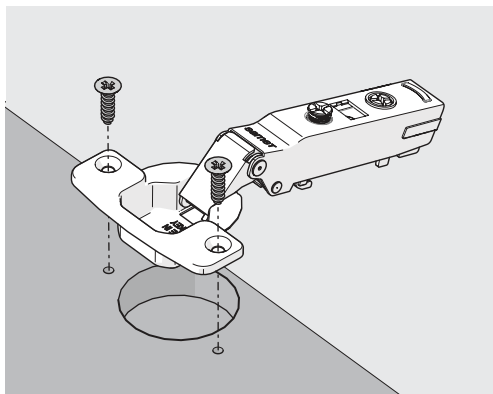


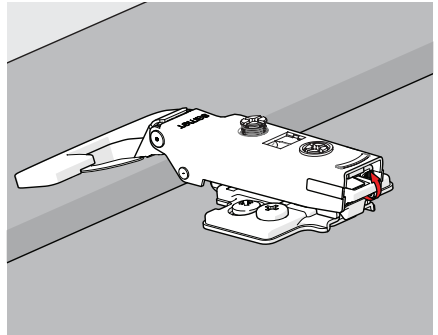
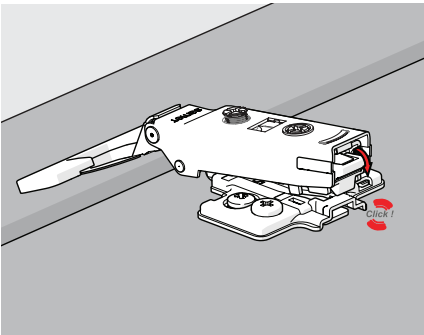
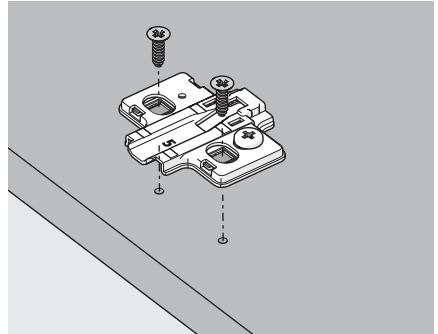
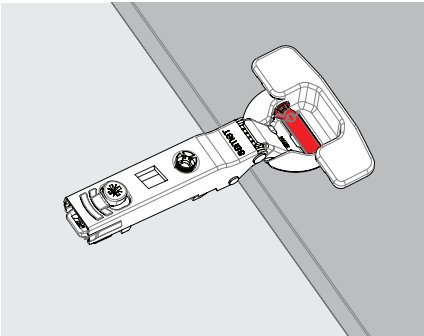
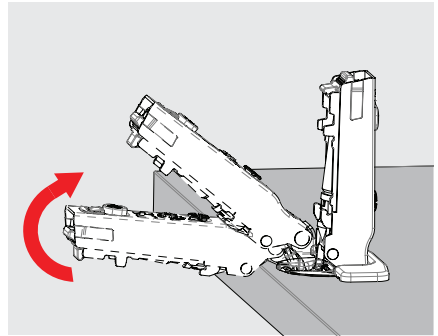
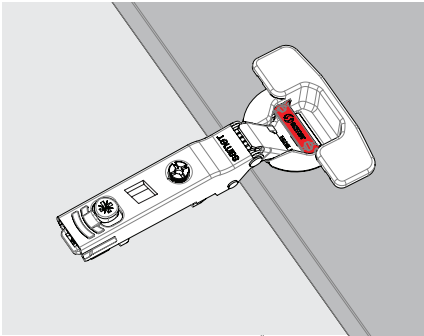
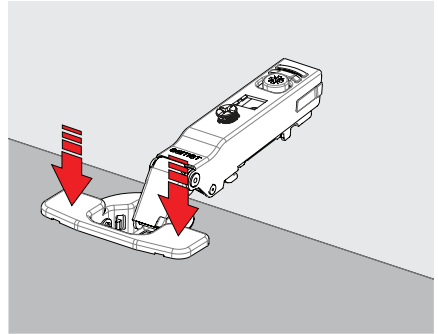
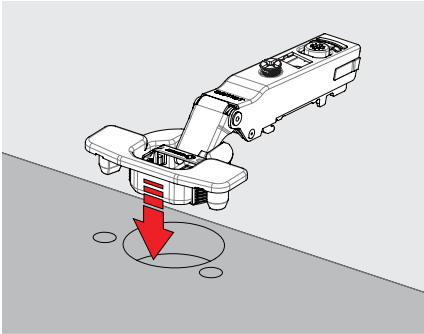
# TOOL-LESS

Hinge System



- Easy, practical and quick mounting system ◀
- Simplification of furniture production ◀
- No need for any tool for assembly ◀
- Ideal solution for DIY furniture ◀





0 mm CRANK	DEFINITION	AXIS	MOUNTING PLATE	FINISH	BAG	PACKAGE
1010041388	MASTER SOFT CLOSE HINGE	52 mm	4 HOLE	NICKEL	2 sets	80 bags
1010041387	MASTER SOFT CLOSE HINGE	52 mm	3D ADJUSTABLE	NICKEL	2 sets	80 bags
1010241387	MASTER BLACK SOFT CLOSE HINGE	52 mm	3D ADJUSTABLE	BLACK	2 sets	80 bags






9 mm CRANK	DEFINITION	AXIS	MOUNTING PLATE	FINISH	BAG	PACKAGE
1010042388	MASTER SOFT CLOSE HINGE	52 mm	4 HOLE	NICKEL	2 sets	80 bags
1010042387	MASTER SOFT CLOSE HINGE	52 mm	3D ADJUSTABLE	NICKEL	2 sets	80 bags
1010242387	MASTER BLACK SOFT CLOSE HINGE	52 mm	3D ADJUSTABLE	BLACK	2 sets	80 bags

18 mm CRANK	DEFINITION	AXIS	MOUNTING PLATE	FINISH	BAG	PACKAGE
1010043388	MASTER SOFT CLOSE HINGE	52 mm	4 HOLE	NICKEL	2 sets	80 bags
1010043387	MASTER SOFT CLOSE HINGE	52 mm	3D ADJUSTABLE	NICKEL	2 sets	80 bags
1010243387	MASTER BLACK SOFT CLOSE HINGE	52 mm	3D ADJUSTABLE	BLACK	2 sets	80 bags



[www.greenplysamet.com](http://www.greenplysamet.com)

-  Greenply-Samet
-  GreenplySamet
-  GreenplySamet
-  GreenplySamet
-  GreenplySamet