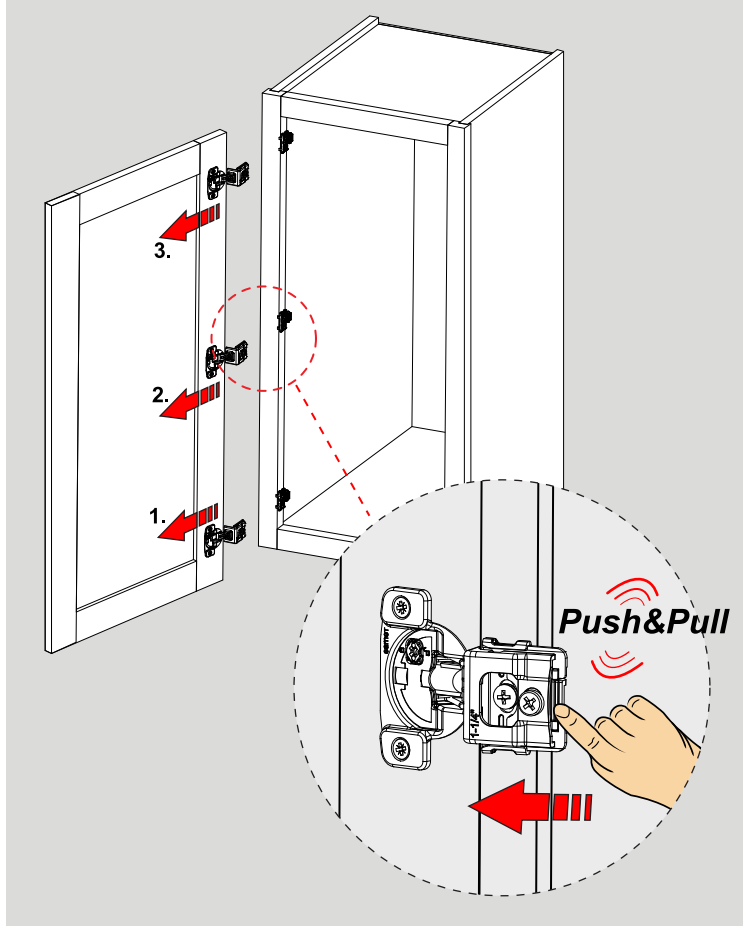
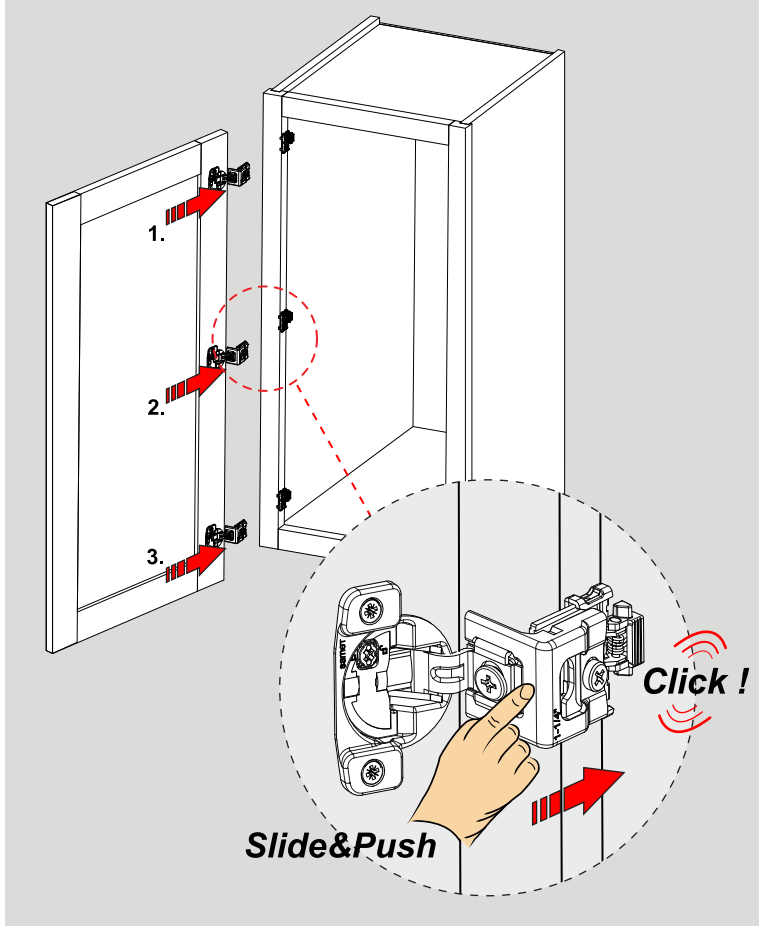
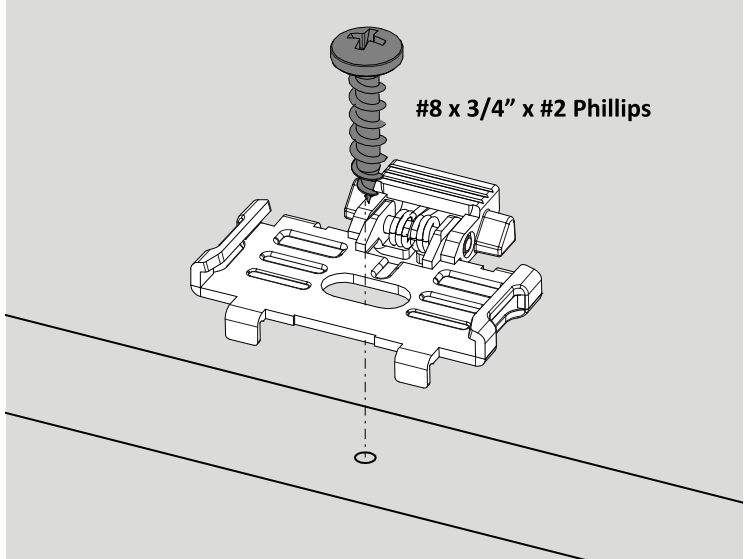
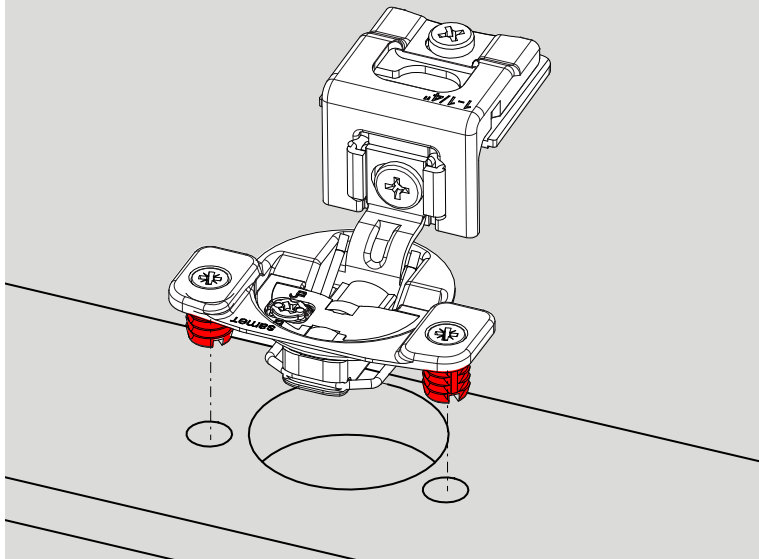
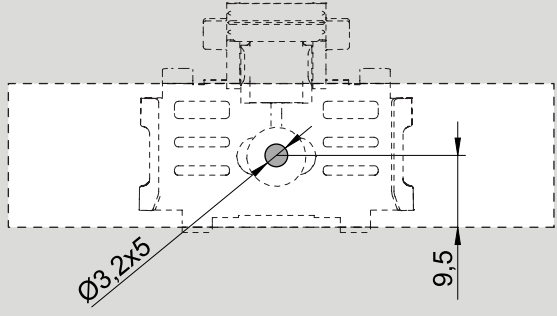
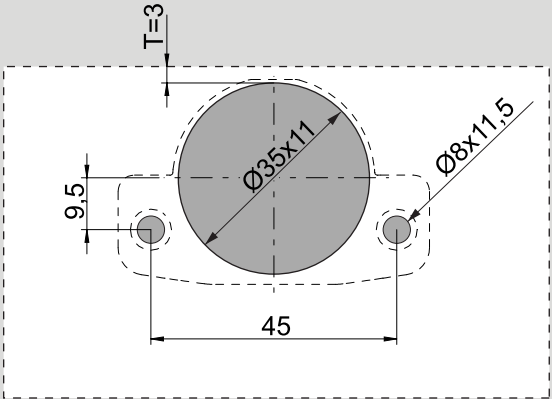
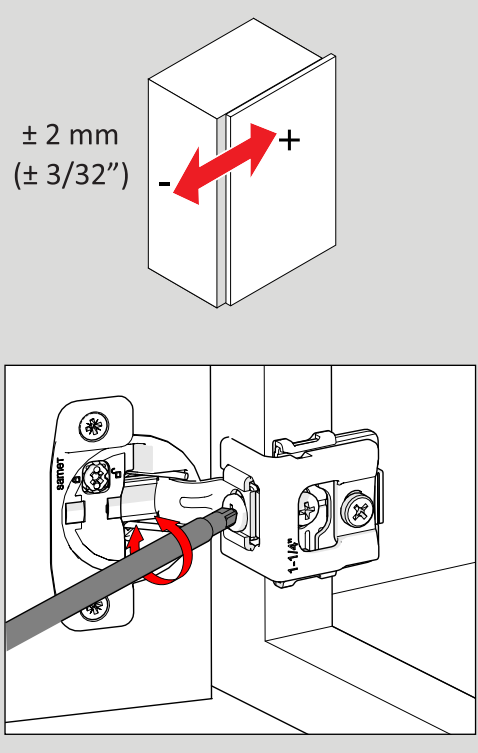


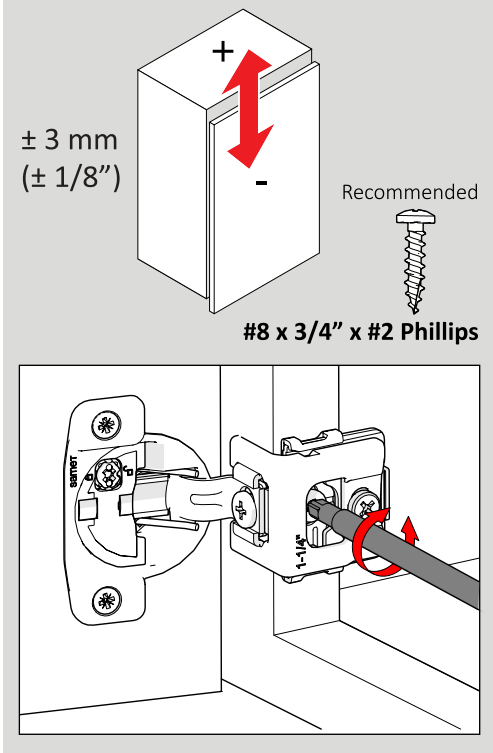
Technical Dimensions & Mounting



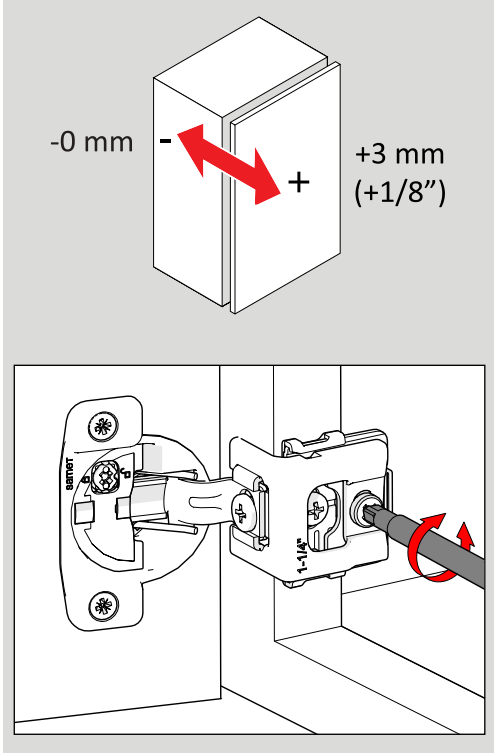
Adjustments



Side Adjustment
Achievable Through Cam
Adjustment

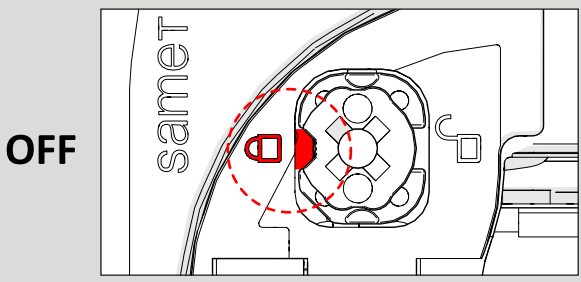
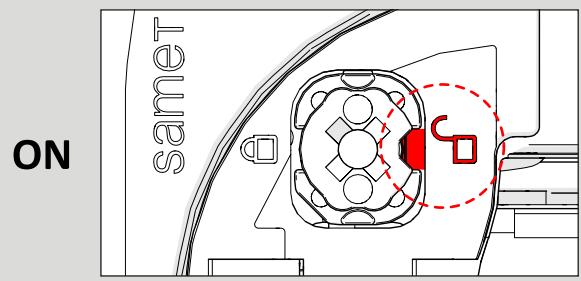
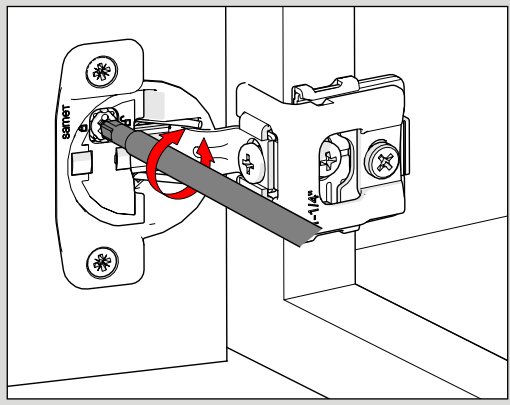


Height Adjustment
Loosen Screw, Align Door,
Tighten Screw

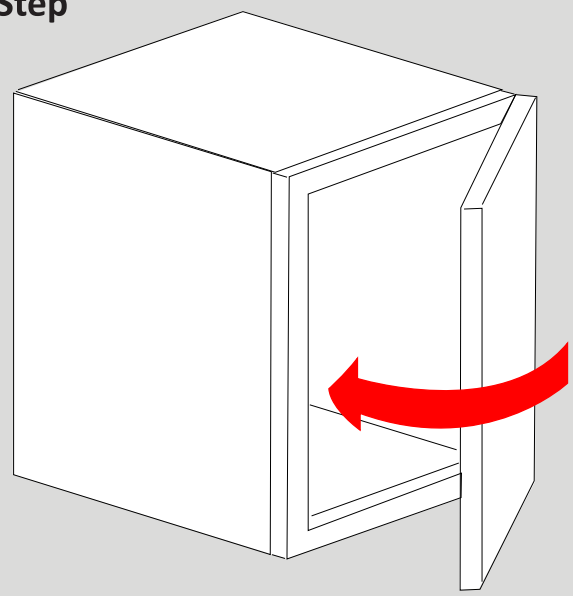


Depth Adjustment
Achievable Through Cam
Adjustment

1 Step



2 Step



Door Soft Close Deactivation
Door must be closed once for the
deactivation to be complete