

STAR

The Classical Hinge



STAR TRACK

Hinge Systems



samet

Star Hinge, the classical product of SAMET, provides different solutions with its large product range, meets with customers for many years.

Perfect Design

Star Hinge, which provides different solutions to meet users' needs, steps forward with its simple design, durability and long life structure. Star Hinge provides wide range adjustment option.

Easy Installation

SAMET developed **Star Hinge** in a way that ensures easy assembly-disassembly of hinge onto mounting plate feature just by using a screwdriver. It simplifies installation process during production.



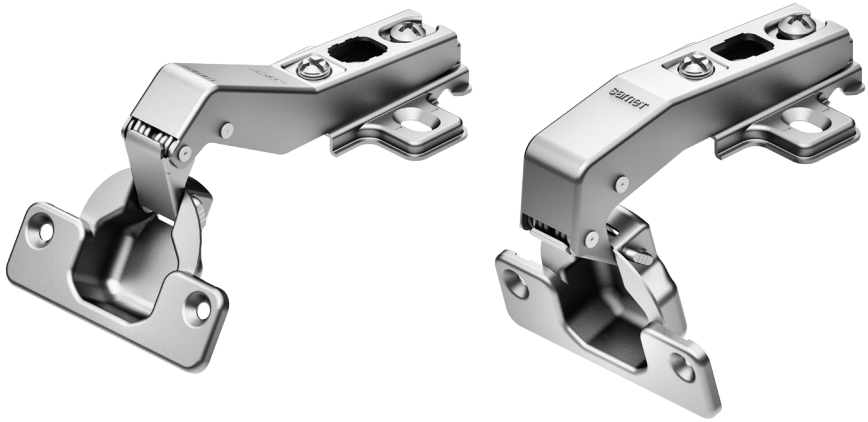
High Quality

Star Hinge Series were designed with the advanced technology of SAMET R&D Center and produced by using fully - automated robotic production systems.

Advanced 3D Adjustment with Star Track Hinge System

Wide range 3D adjustment in six direction ensures assembly comfort and better precision for furnitures.





Special Applications

Star and Star Track Hinge system fulfill customer needs for special applications with 15°, 30°, -30°, 45°, -45°, 90° degree and 165° opening hinges.

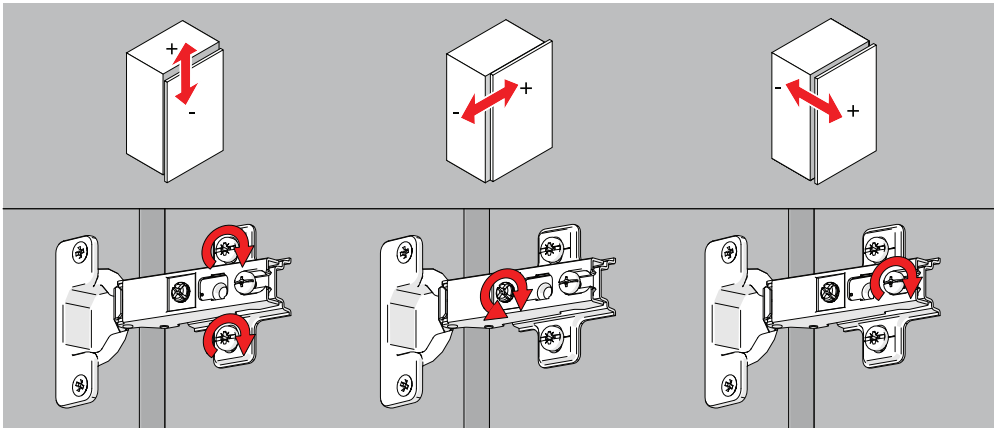
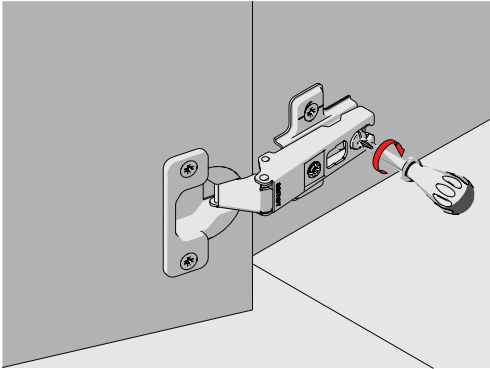
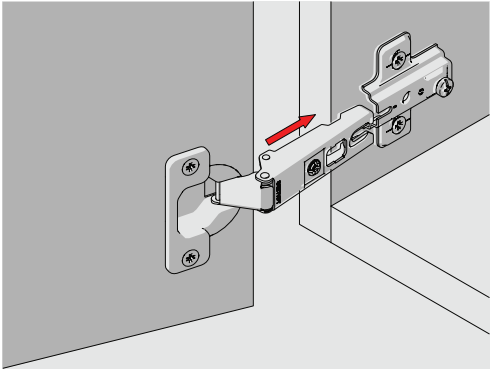
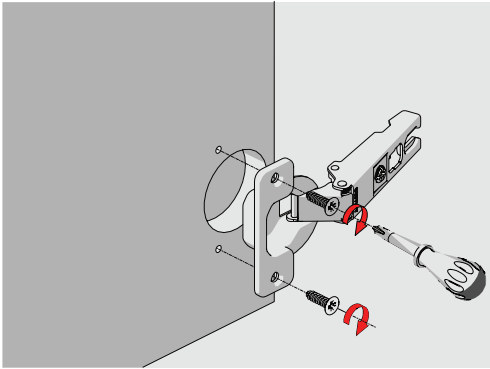
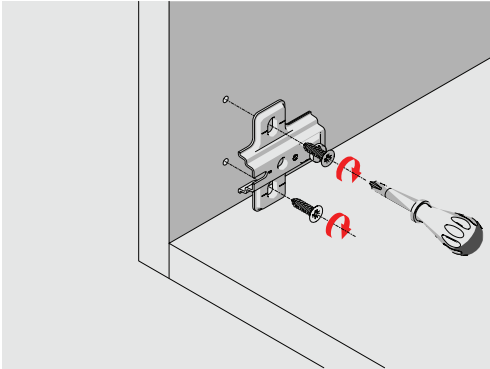
STAR TRACK Hinge System

Star Track Hinge, developed after research and advanced tests carried out by SAMET R&D Center, provides easy and tool free assembling and disassembling of cabinets with a single touch.



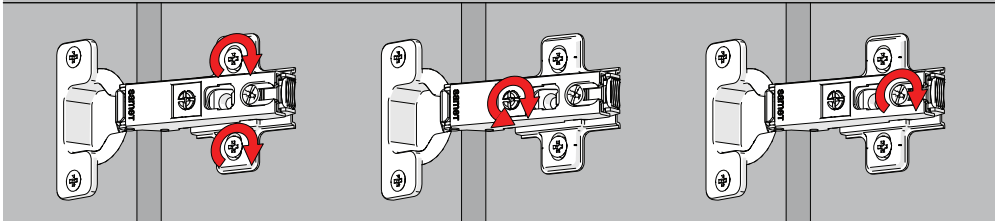
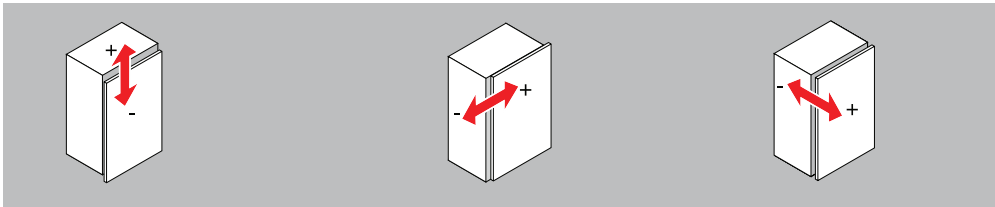
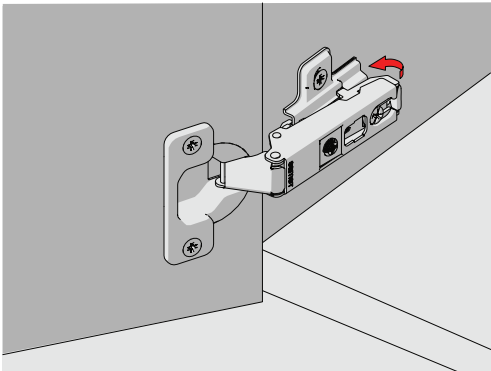
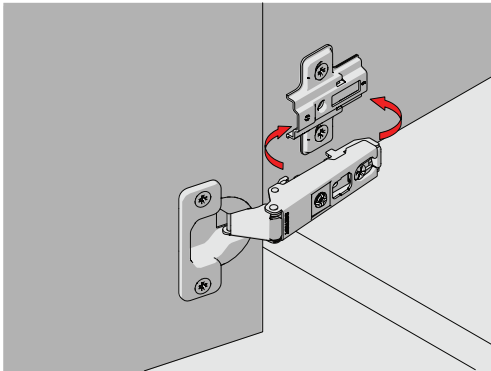
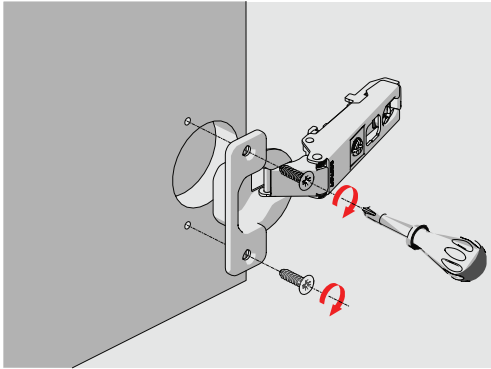
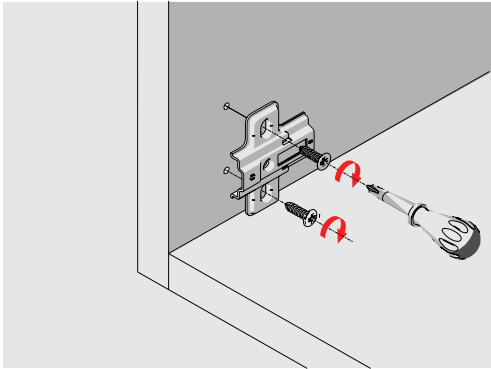
Technical Specifications Star and Star Track

- Opening Angle : 110° ◀
- Cup Diameter : 35 mm ◀
- Cup Depth : 11,2 mm ◀
- Crank Type : 0-9-18 mm ◀
- Finish : Nickel ◀
- Depth Adj. : ± 3 mm ◀
- Side Adj. : $+7/-1$ mm ◀
- Height Adj. : ± 2 mm ◀
- Packaging : 250 Pieces ◀







STAR TRACK

Assembly Instructions






Cranking		Crank 0	Cranking		Crank 9	Cranking		Crank 18
DEFINITION	CODE		DEFINITION	CODE	DEFINITION	CODE		CODE
45 Axis	101711Y		45 Axis	101712Y	45 Axis	101713Y		
45 Axis Ø8 Dowel	101751Y		45 Axis Ø8 Dowel	101752Y	45 Axis Ø8 Dowel	101753Y		
45 Axis Ø10 Dowel	101754Y		45 Axis Ø10 Dowel	101755Y	45 Axis Ø10 Dowel	101756Y		
45 Axis Euro Screw	101716Y		45 Axis Euro Screw	101718Y	45 Axis Euro Screw	101734Y		
45 Axis Tool-less	101717Y		45 Axis Tool-less	101719Y	45 Axis Tool-less	101735Y		
45 Axis Easy Fit	1017541Y		45 Axis Easy Fit	1017551Y	45 Axis Easy Fit	1017561Y		
48 Axis	101731Y		48 Axis	101732Y	48 Axis	101733Y		
48 Axis Ø8 Dowel	101771Y		48 Axis Ø8 Dowel	101772Y	48 Axis Ø8 Dowel	101773Y		
48 Axis Ø10 Dowel	101774Y		48 Axis Ø10 Dowel	101775Y	48 Axis Ø10 Dowel	101776Y		
48 Axis Euro Screw	101726Y		48 Axis Euro Screw	101728Y	48 Axis Euro Screw	101736Y		
48 Axis Tool-less	101727Y		48 Axis Tool-less	101729Y	48 Axis Tool-less	101737Y		
48 Axis Easy Fit	1017542Y		48 Axis Easy Fit	1017552Y	48 Axis Easy Fit	1017562Y		
52 Axis	1017113Y		52 Axis	1017123Y	52 Axis	1017133Y		
52 Axis Ø8 Dowel	1017513Y		52 Axis Ø8 Dowel	1017523Y	52 Axis Ø8 Dowel	1017533Y		
52 Axis Ø10 Dowel	1017543Y		52 Axis Ø10 Dowel	1017553Y	52 Axis Ø10 Dowel	1017563Y		
52 Axis Euro Screw	1017163Y		52 Axis Euro Screw	1017183Y	52 Axis Euro Screw	1017343Y		
52 Axis Tool-less	1017173Y		52 Axis Tool-less	1017193Y	52 Axis Tool-less	1017353Y		
52 Axis Easy Fit	1017544Y		52 Axis Easy Fit	1017554Y	52 Axis Easy Fit	1017564Y		

Hinge Cup Mounting Holes	
Ø2,5x5 mm	
Ø5x12 mm	
[Ø8-10]x12 mm	
Ø10x12 mm	

Screw Options	
Ø3,5x16 mm Chipboard Screw	
Euro Screw	
Ø8-10 mm Plastic Dowel	
Easy Fit	

Cranking		Crank 0	Cranking		Crank 9	Cranking		Crank 18
DEFINITION		CODE	DEFINITION		CODE	DEFINITION		CODE
45 Axis		10100211Y	45 Axis		10100221Y	45 Axis		10100231Y
45 Axis Ø8 Dowel		101002111Y	45 Axis Ø8 Dowel		101002211Y	45 Axis Ø8 Dowel		101002311Y
45 Axis Ø10 Dowel		101002112Y	45 Axis Ø10 Dowel		101002212Y	45 Axis Ø10 Dowel		101002312Y
45 Axis Euro Screw		101002113Y	45 Axis Euro Screw		101002213Y	45 Axis Euro Screw		101002313Y
45 Axis Tool-Less		101002114Y	45 Axis Tool-Less		101002214Y	45 Axis Tool-Less		101002314Y
45 Axis Easy Fit		101002117Y	45 Axis Easy Fit		101002217Y	45 Axis Easy Fit		101002317Y
48 Axis		10100212Y	48 Axis		10100222Y	48 Axis		10100232Y
48 Axis Ø8 Dowel		101002121Y	48 Axis Ø8 Dowel		101002221Y	48 Axis Ø8 Dowel		101002321Y
48 Axis Ø10 Dowel		101002122Y	48 Axis Ø10 Dowel		101002222Y	48 Axis Ø10 Dowel		101002322Y
48 Axis Euro Screw		101002123Y	48 Axis Euro Screw		101002223Y	48 Axis Euro Screw		101002323Y
48 Axis Tool-Less		101002124Y	48 Axis Tool-Less		101002224Y	48 Axis Tool-Less		101002324Y
48 Axis Easy Fit		101002127Y	48 Axis Easy Fit		101002227Y	48 Axis Easy Fit		101002327Y
52 Axis		10100213Y	52 Axis		10100223Y	52 Axis		10100233Y
52 Axis Ø8 Dowel		101002131Y	52 Axis Ø8 Dowel		101002231Y	52 Axis Ø8 Dowel		101002331Y
52 Axis Ø10 Dowel		101002132Y	52 Axis Ø10 Dowel		101002232Y	52 Axis Ø10 Dowel		101002332Y
52 Axis Euro Screw		101002133Y	52 Axis Euro Screw		101002233Y	52 Axis Euro Screw		101002333Y
52 Axis Tool-Less		101002134Y	52 Axis Tool-Less		101002234Y	52 Axis Tool-Less		101002334Y
52 Axis Easy Fit		101002137Y	52 Axis Easy Fit		101002237Y	52 Axis Easy Fit		101002337Y

Hinge Cup Mounting Holes	
Ø2,5x5 mm	
Ø5x12 mm	
[Ø8-10]x12 mm	
Ø10x12 mm	

Screw Options	
Ø3,5x16 mm Chipboard Screw	
Euro Screw	
Ø8-10 mm Plastic Dowel	
Easy Fit	

Star Mounting Plate

Star Mounting Plate 5 mm		Star Mounting Plate 7 mm		Star Mounting Plate 9 mm	
DEFINITION	CODE L:37mm	DEFINITION	CODE L:37mm	DEFINITION	CODE L:37mm
Star Mounting Plate	102411Y	Star Mounting Plate	102412Y	Star Mounting Plate	102413Y
Star Mounting Plate 6,3x14 Euro Screw	102431Y	Star Mounting Plate 6,3x14 Euro Screw	102432Y	Star Mounting Plate 6,3x14 Euro Screw	102433Y
Star Mounting Plate 6,3x10 Euro Screw	102464Y	Star Mounting Plate 6,3x10 Euro Screw	102465Y	Star Mounting Plate 6,3x10 Euro Screw	102466Y
Star Mounting Plate Ø5 Dowel	102446Y	Star Mounting Plate Ø5 Dowel	102447Y	Star Mounting Plate Ø5 Dowel	102448Y
Star Mounting Plate Ø8 Dowel	102437Y	Star Mounting Plate Ø8 Dowel	102438Y	Star Mounting Plate Ø8 Dowel	102439Y
Star Mounting Plate Ø10 Dowel	102449Y	Star Mounting Plate Ø10 Dowel	102450Y	Star Mounting Plate Ø10 Dowel	102451Y
Star Mounting Plate Ø10 Dowel (Double)	102484Y	Star Mounting Plate Ø10 Dowel (Double)	102483Y	Star Mounting Plate Ø10 Dowel (Double)	102485Y

Star Track Adjustable Mounting Plate

Star Track Adjustable Mounting Plate 5 mm		Star Track Adjustable Mounting Plate 7 mm		Star Track Adjustable Mounting Plate 9 mm	
DEFINITION	CODE	DEFINITION	CODE	DEFINITION	CODE
Star Track Adj. Mounting Plate	10260751Y	Star Track Adj. Mounting Plate	10260771Y	Star Track Adj. Mounting Plate	10260791Y
Star Track Adj. Mounting Plate Ø5 Dowel	10260756Y	Star Track Adj. Mounting Plate Ø5 Dowel	10260776Y	Star Track Adj. Mounting Plate Ø5 Dowel	10260796Y
Star Track Adj. Mounting Plate Ø8 Dowel	10260752Y	Star Track Adj. Mounting Plate Ø8 Dowel	10260772Y	Star Track Adj. Mounting Plate Ø8 Dowel	10260792Y
Star Track Adj. Mounting Plate Ø10 Dowel	10260753Y	Star Track Adj. Mounting Plate Ø10 Dowel	10260773Y	Star Track Adj. Mounting Plate Ø10 Dowel	10260793Y
Star Track Adj. 6,3x14 Euro Screw	10260754Y	Star Track Adj. 6,3x14 Euro Screw	10260774Y	Star Track Adj. 6,3x14 Euro Screw	10260794Y
Star Track Adj. 6,3x10 Euro Screw	10260755Y	Star Track Adj. 6,3x10 Euro Screw	10260775Y	Star Track Adj. 6,3x10 Euro Screw	10260795Y

STAR
The Classical Hinge



STAR TRACK
Hinge Systems

samET


Star




Star Track




www.sametglobal.com

 [sametinternational](#)

 [samet_global](#)

 [SametGroup](#)

 [Samet Kalıp ve Madeni Eşya San. ve Tic. A.Ş.](#)