



CIW : Cabinet Inner Width

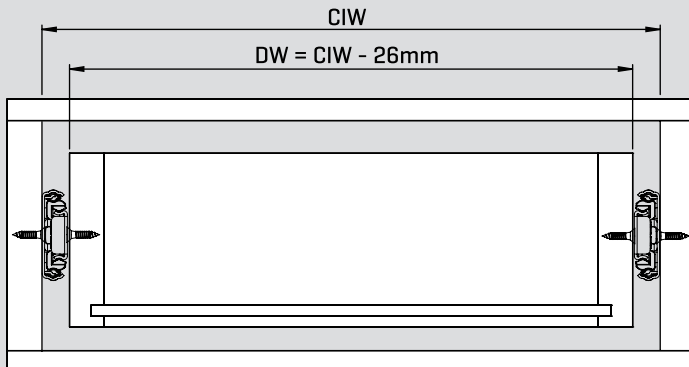
DW : Drawer Width

NL : Nominal Length

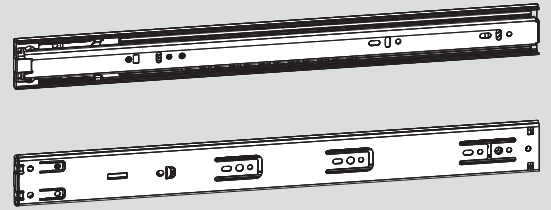
CD : Cabinet Depth

DD : Drawer Depth

Technical Dimesions



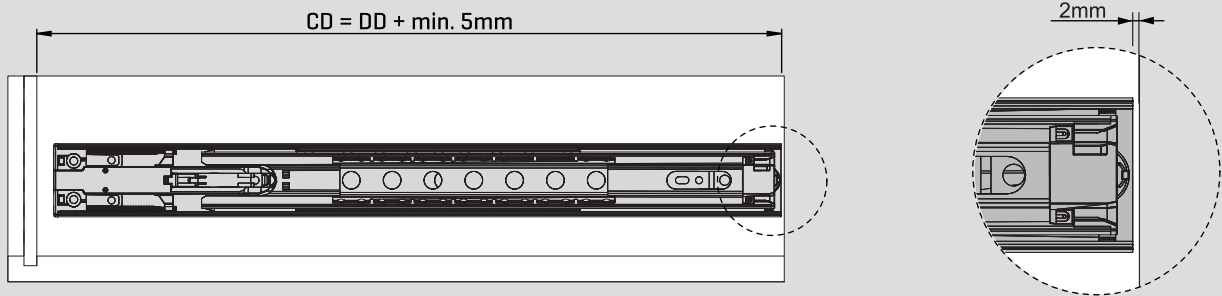
Parts



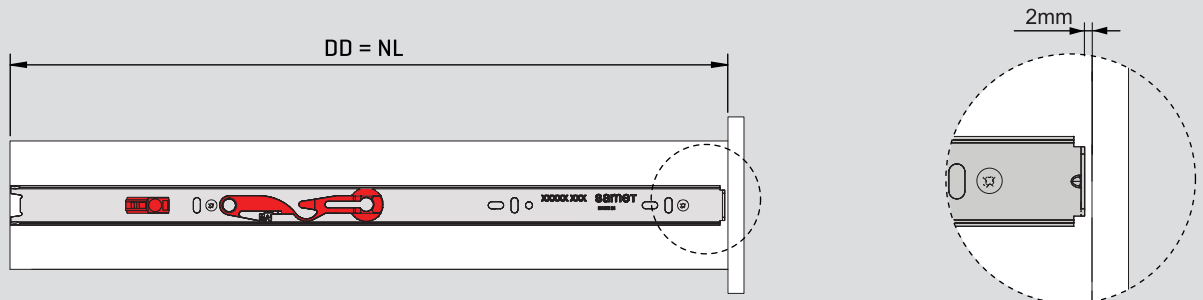
Recommended Screw



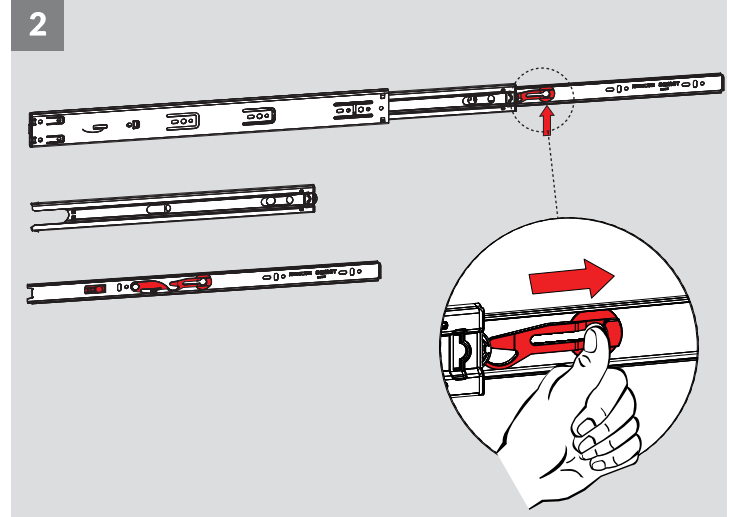
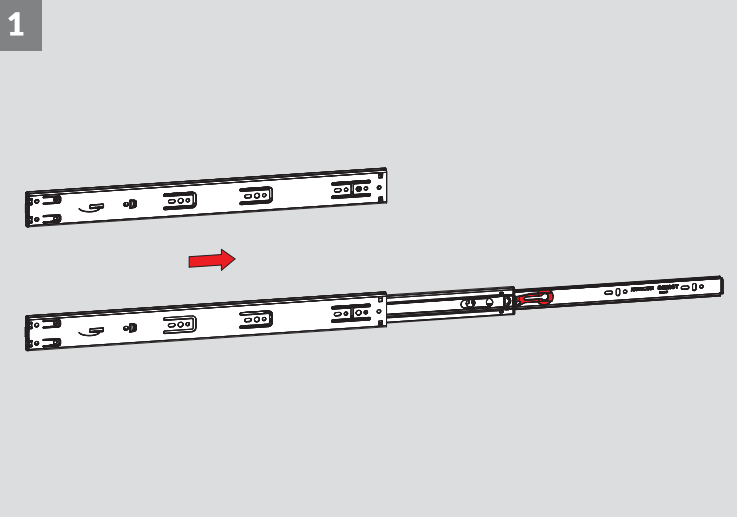
Cabinet Dimensions



Drawer Dimensions



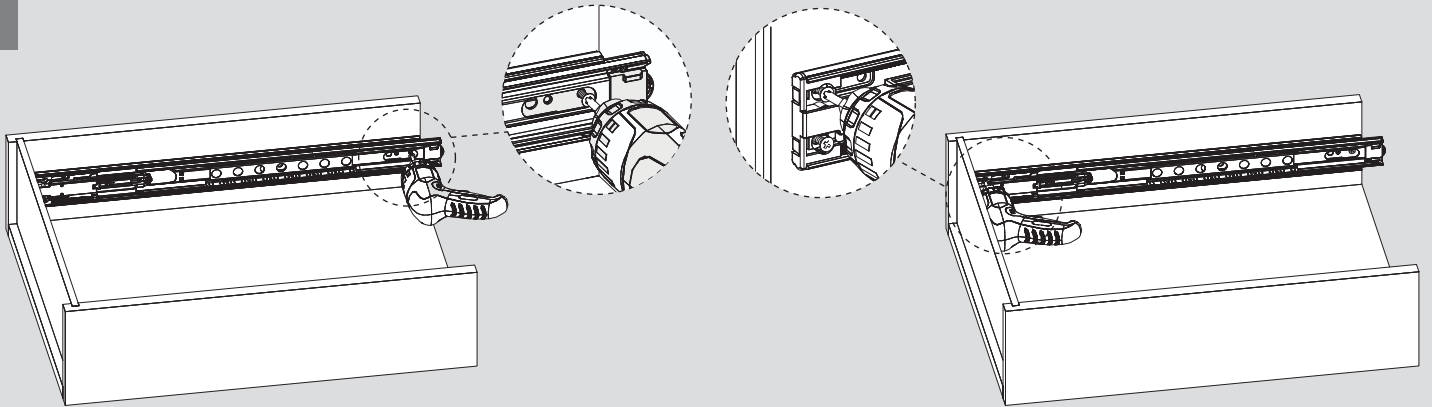
Assembly



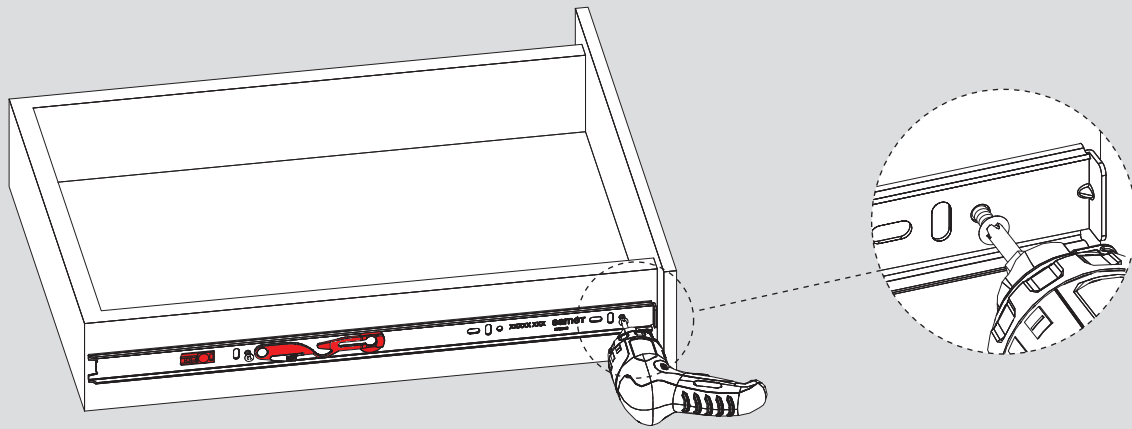


Assembly

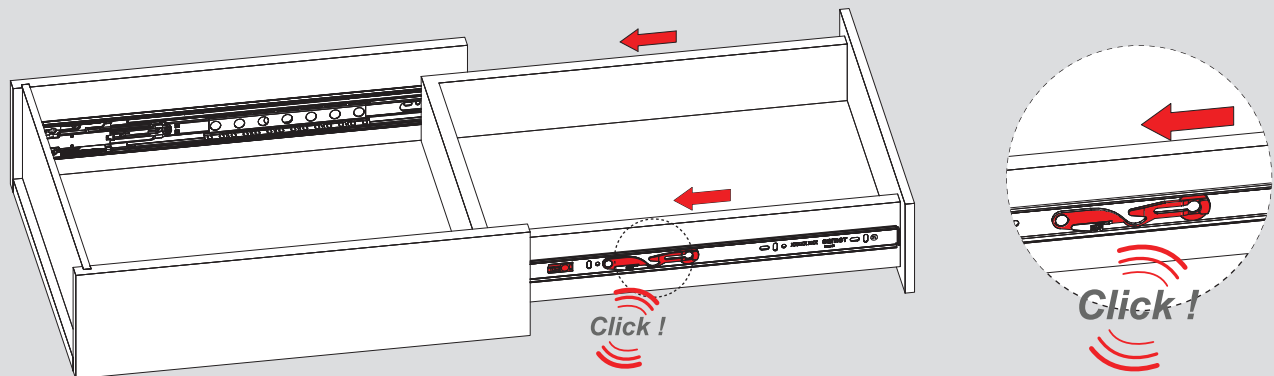
3



4



5



6

