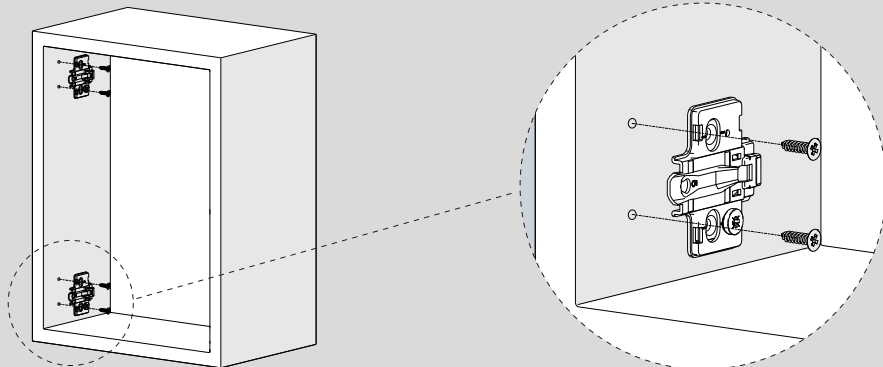


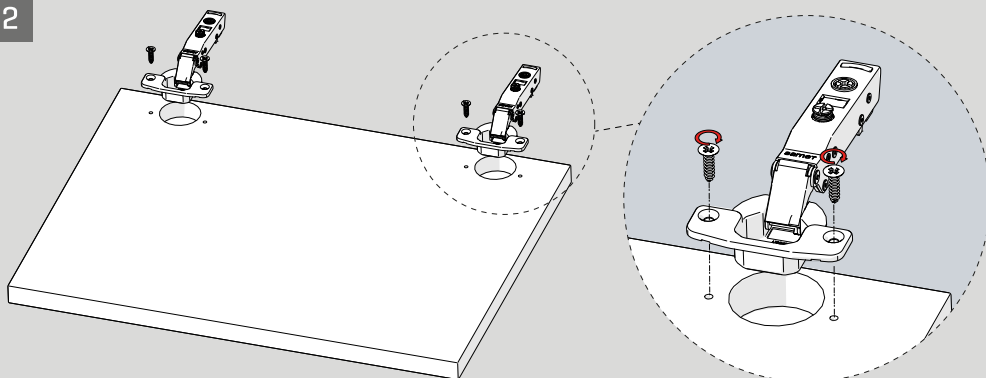


### Mounting

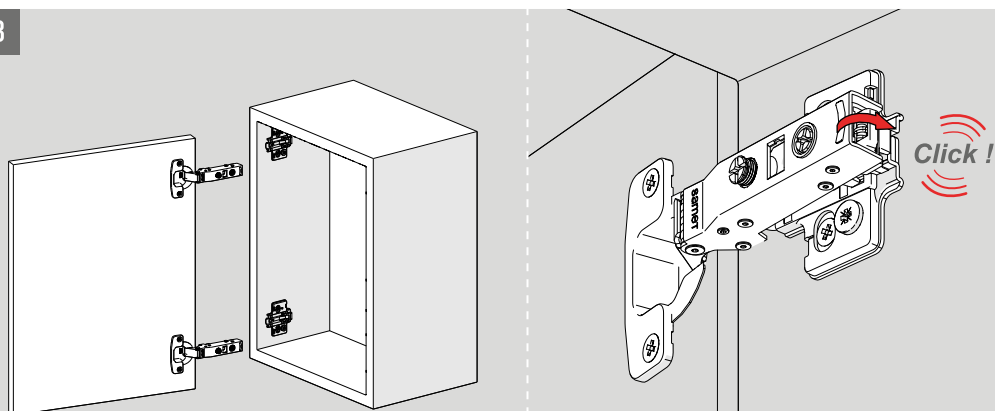
1



2



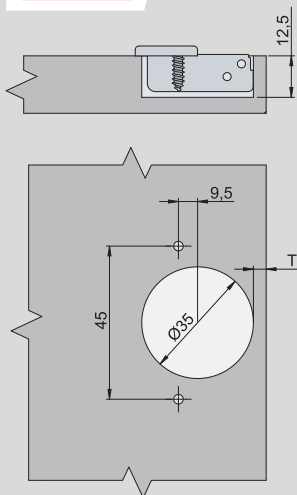
3



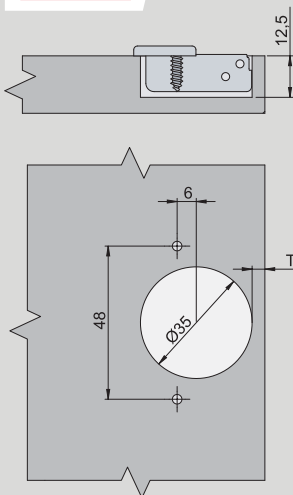


### Technical Dimensions for Cup

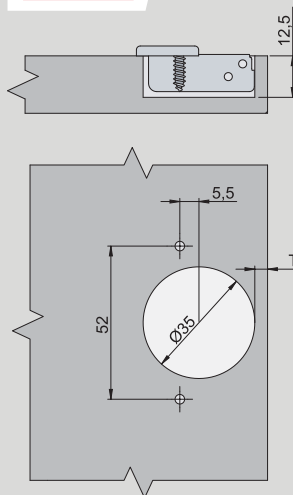
#### 45 mm Axis



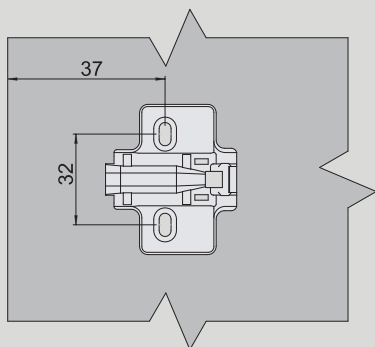
#### 48 mm Axis



#### 52 mm Axis



### Technical Dimensions for Mounting Plate



### Adjustment

