

MASTER

New Generation Hinge Systems



www.lga.info
ID 1111239539



Master Soft-Close Hinge is a new generation hinge system, ensuring a high level of movement and assembly comfort due to high-level adjustment feature. It was developed after research and advanced tests carried by SAMET R&D center.

Elegant Design

The Master hinge boasts a pure and aesthetic design, crafted from superior materials for an unmatched steel hardware experience. With its wide product range and , it seamlessly complements various cabinet designs, ensuring a perfect fit for any style preference.

High Quality

Master Soft-Close Hinge Series were designed with the advanced technology of SAMET R&D Center and produced by using fully - automated robotic production systems.

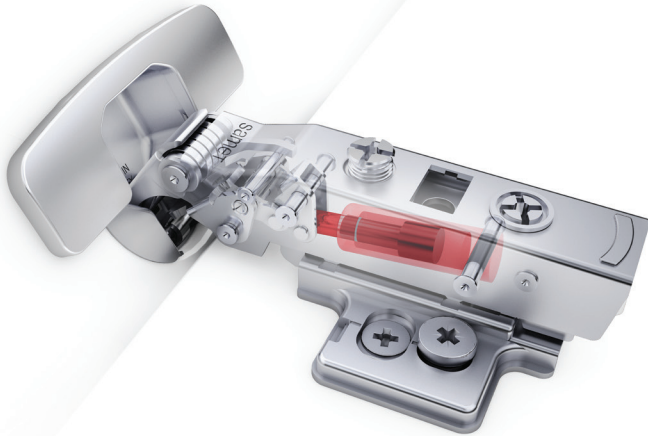
MASTER | **BLACK**

Perfect Design Meets with Elegant Black Finish



Integrated Soft-Close System

The Master hinge's integrated soft-close system offers excellent silent movement and smooth operation, ensuring LGA certificated superior performance and adding top level comfort to daily life.



Easy Installation

Track Mechanism in **Master Soft-Close Hinge** provides toolless assembly-disassembly feature, which also simplifies installation process and help to save time.

Advanced 3D Adjustment

Wide range 3D adjustment in six direction ensures assembly comfort and better precision for furnitures.

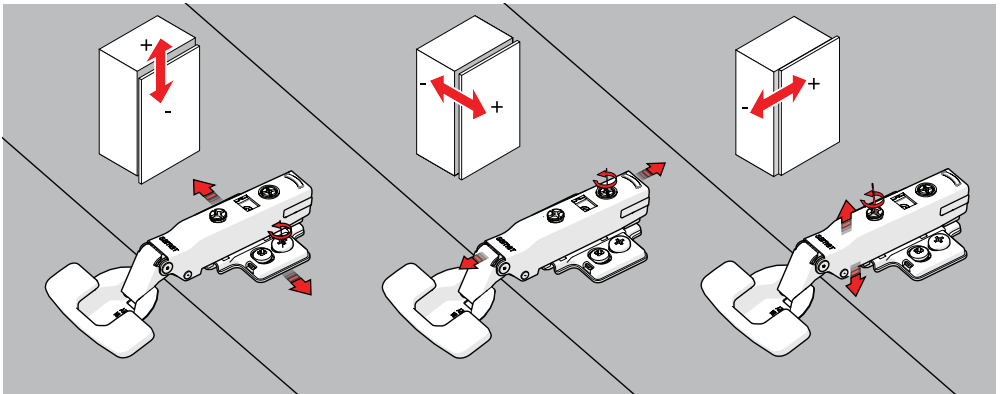
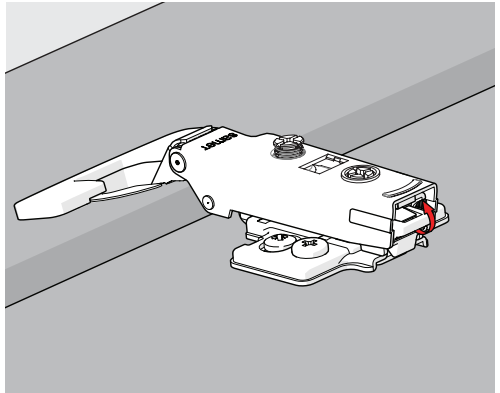
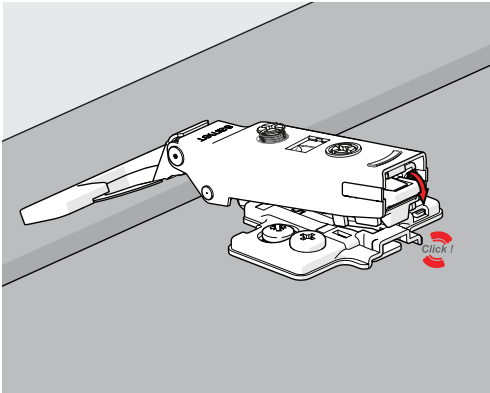
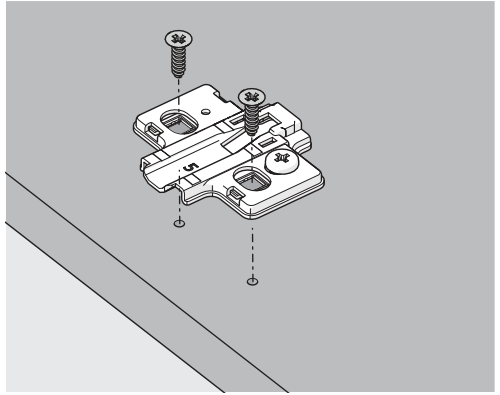
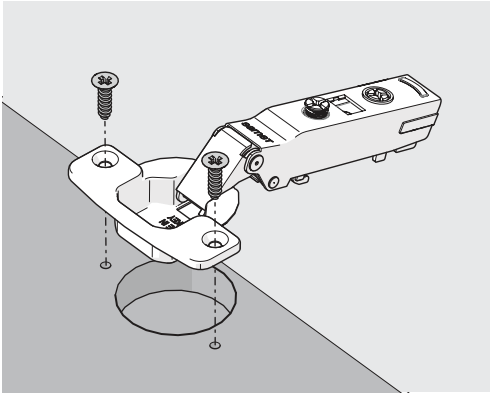


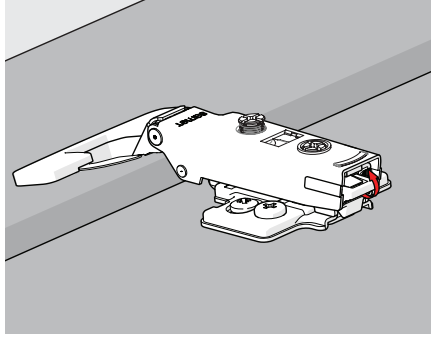
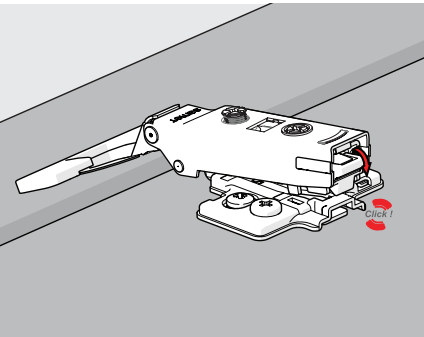
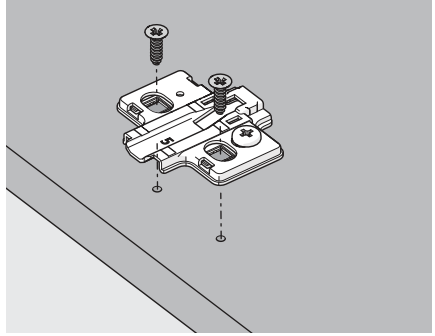
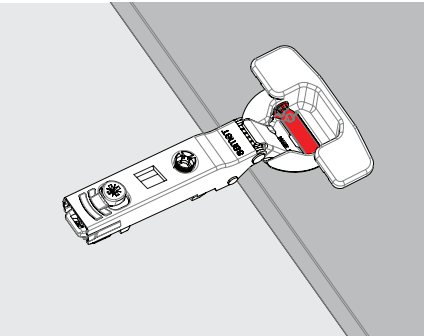
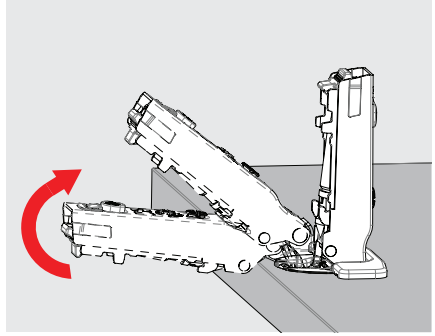
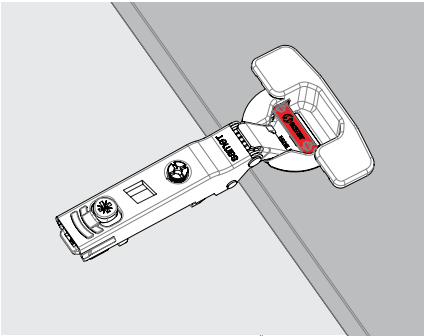
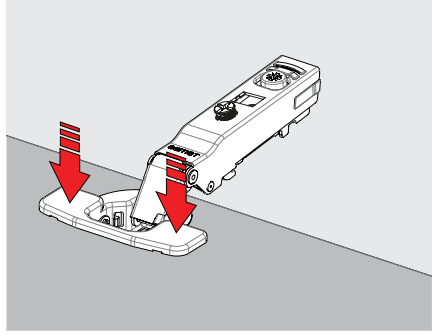
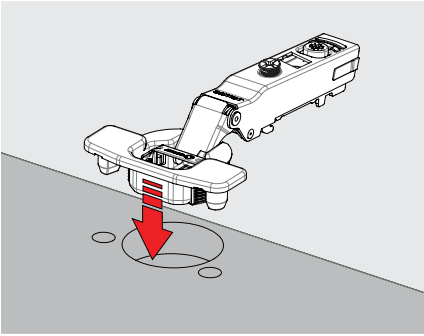
TOOL-LESS

Hinge System



- Easy, practical and quick mounting system ◀
- Simplification of furniture production ◀
- No need for any tool for assembly ◀
- Ideal solution for DIY furniture ◀










0 mm CRANK	DEFINITION	AXIS	MOUNTING PLATE	FINISH	BAG	PACKAGE
1010041388	MASTER SOFT CLOSE HINGE	52 mm	4 HOLE	NICKEL	2 sets	80 bags
1010041387	MASTER SOFT CLOSE HINGE	52 mm	3D ADJUSTABLE	NICKEL	2 sets	80 bags
1010241387	MASTER BLACK SOFT CLOSE HINGE	52 mm	3D ADJUSTABLE	BLACK	2 sets	80 bags

9 mm CRANK	DEFINITION	AXIS	MOUNTING PLATE	FINISH	BAG	PACKAGE
1010042388	MASTER SOFT CLOSE HINGE	52 mm	4 HOLE	NICKEL	2 sets	80 bags
1010042387	MASTER SOFT CLOSE HINGE	52 mm	3D ADJUSTABLE	NICKEL	2 sets	80 bags
1010242387	MASTER BLACK SOFT CLOSE HINGE	52 mm	3D ADJUSTABLE	BLACK	2 sets	80 bags

18 mm CRANK	DEFINITION	AXIS	MOUNTING PLATE	FINISH	BAG	PACKAGE
1010043388	MASTER SOFT CLOSE HINGE	52 mm	4 HOLE	NICKEL	2 sets	80 bags
1010043387	MASTER SOFT CLOSE HINGE	52 mm	3D ADJUSTABLE	NICKEL	2 sets	80 bags
1010243387	MASTER BLACK SOFT CLOSE HINGE	52 mm	3D ADJUSTABLE	BLACK	2 sets	80 bags



www.greenplysamet.com

-  Greenply-Samet
-  GreenplySamet
-  GreenplySamet
-  GreenplySamet
-  GreenplySamet