

sam box



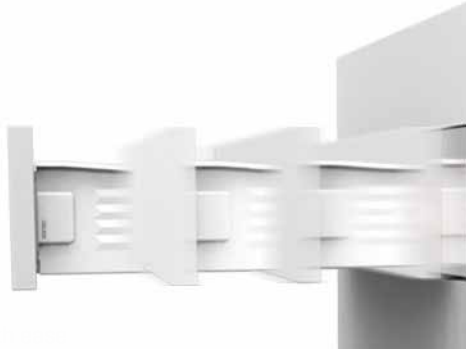
samet

SAM BOX Drawer Systems meets comfort and quality expectations with its excellent motion capability, quick and safe installation and durability at maximum level. Sambox drawers with esthetical steel appearance, which meet end users' requirements and provide easy mounting to furniture producers, are designed in different sizes and color options.

## Smooth and silent operation

---

SAMET SAM BOX drawers, with silent running wheel system and high painting quality, provides smooth and silent opening-closing operation. Perfect design of SAM BOX Drawer Systems and state-of-the-art technology optional Soft Close mechanism allow end user to utilize the drawer w and enjoy at the same time style and functionality of living space furniture.



## Adjustment Feature

---

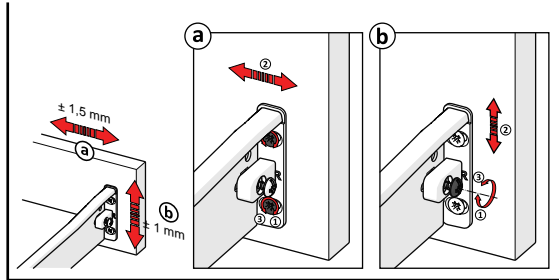
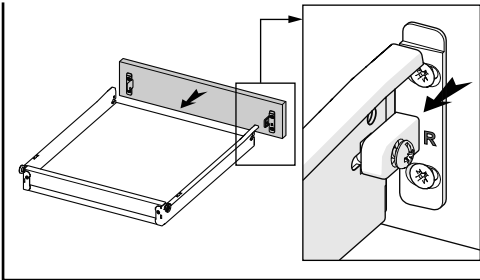
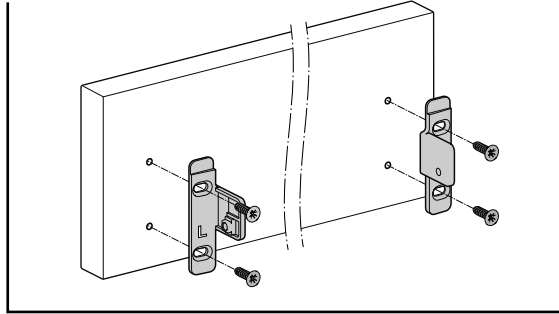
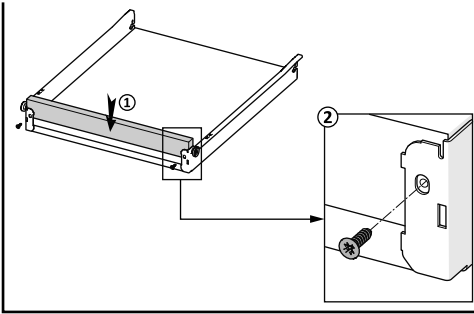
SAM BOX upgraded adjustment mechanism, with high tolerance level, was designed in consideration of both, user's and producer's convenience. It offers easy and accurate installation during specially designed furniture production. A locking mechanism in a drawer is required to improve safety of drawer systems. With the help of this locking mechanism in SAM BOX, high level of safety is provided.



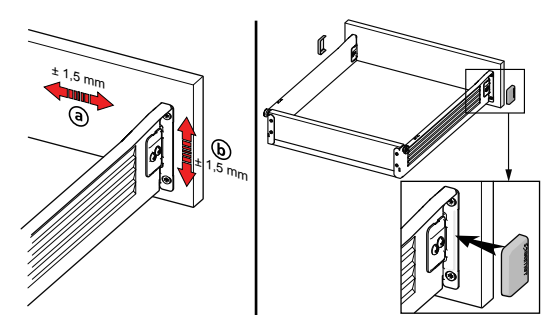
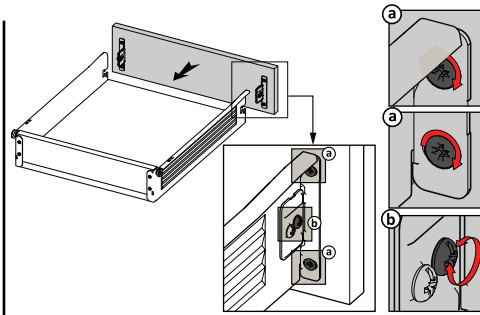
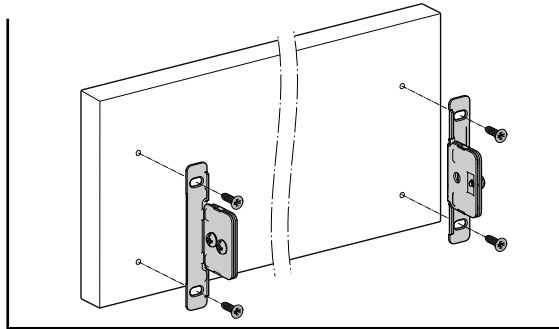
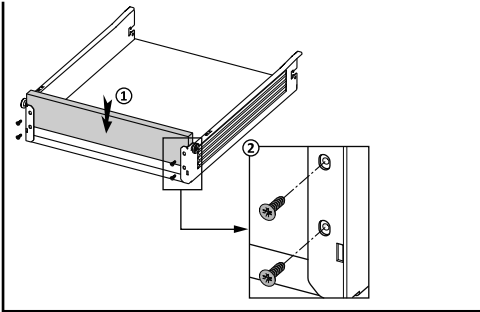


- Esthetic steel appearance
- Automatic closure system at a 70 mm opening length.
- Drawer Length: 250/300/350/400/450/500/550 mm
- Finish: Electrostatic White, Beige and Metallic Grey
- Silent running wheel system
- The improved stability guarantees a long product durability.
- Dynamic load capacity: 25 Kg
- Safety system to avoid derailing
- $\pm 1,5$  mm horizontal and  $\pm 1$  mm vertical adjustment opportunity

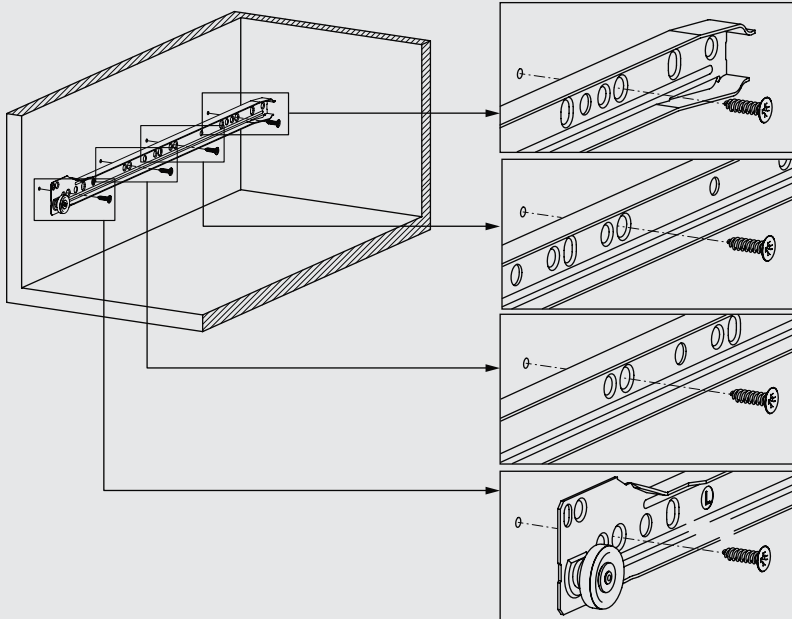
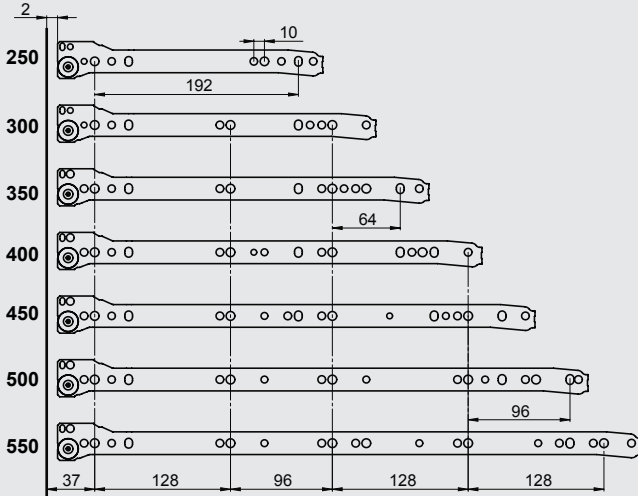
Sambox 54



Sambox 86 - 118 - 150



Screw Location for the Slides



Sam Box H54		
CODE	DEFINITION	PACKAGING
112*04#	Sam Box Drawer Set 400 mm	10 Set/Crt
112*05#	Sam Box Drawer Set 450 mm	10 Set/Crt
112*06#	Sam Box Drawer Set 500 mm	10 Set/Crt
112*07#	Sam Box Drawer Set 550 mm	10 Set/Crt

Sam Box H86		
CODE	DEFINITION	PACKAGING
112*11#	Sam Box Drawer Set 250 mm	10 Set/Crt.
112*12#	Sam Box Drawer Set 300 mm	10 Set/Crt.
112*13#	Sam Box Drawer Set 350 mm	10 Set/Crt.
112*14#	Sam Box Drawer Set 400 mm	10 Set/Crt.
112*15#	Sam Box Drawer Set 450 mm	10 Set/Crt.
112*16#	Sam Box Drawer Set 500 mm	10 Set/Crt.
112*17#	Sam Box Drawer Set 550 mm	10 Set/Crt.

Sam Box H118		
CODE	DEFINITION	PACKAGING
112*22#	Sam Box Drawer Set 300 mm	5 Set/Crt.
112*23#	Sam Box Drawer Set 350 mm	5 Set/Crt.
112*24#	Sam Box Drawer Set 400 mm	5 Set/Crt.
112*25#	Sam Box Drawer Set 450 mm	5 Set/Crt.
112*26#	Sam Box Drawer Set 500 mm	5 Set/Crt.
112*27#	Sam Box Drawer Set 550 mm	5 Set/Crt.

Sam Box H150		
CODE	DEFINITION	PACKAGING
112*32#	Sam Box Drawer Set 300 mm	5 Set/Crt.
112*33#	Sam Box Drawer Set 350 mm	5 Set/Crt.
112*34#	Sam Box Drawer Set 400 mm	5 Set/Crt.
112*35#	Sam Box Drawer Set 450 mm	5 Set/Crt.
112*36#	Sam Box Drawer Set 500 mm	5 Set/Crt.
112*37#	Sam Box Drawer Set 550 mm	5 Set/Crt.

Connecting Fitting For H54				
MATERIAL	CODE	MODEL	COLOR	PACKAGING
Zinc	1121801	Countersunk	Nickel	10 Set/Crt
Zinc	1121802	Ø8 mm	Nickel	10 Set/Crt
Zinc	1121803	Ø10 mm	Nickel	10 Set/Crt

Connecting Fitting For H86 & H118 & H150				
MATERIAL	CODE	MODEL	COLOR	PACKAGING
Steel	1121819	Countersunk	Nickel	200 Pcs/Box
Steel	1121812	Ø8 mm	Nickel	200 Pcs/Box
Steel	1121813	Ø10 mm	Nickel	200 Pcs/Box

Decorative Cover For H86 & H118 & H150			
MATERIAL	CODE	COLOR	PACKAGING
Plastic	1121821	White	200 Pcs/Box
Plastic	1121822	Beige	200 Pcs/Box
Plastic	1121823	M.Grey	200 Pcs/Box

Soft Close Mechanism	
CODE	PACKAGING
1121804	20 Pcs

*	Model
1	Without Clamp
0	With Clamp

#	Color
1	White
2	Beige
3	M. Grey

sam box



# samet



samet.com.tr



SametGroup



SametGroup



sametinternational



Samet Kalıp ve Madeni Eşya San. ve Tic. A.Ş.