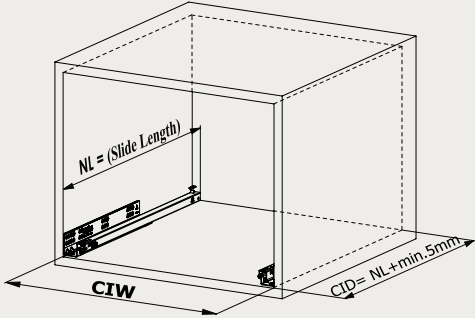


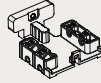
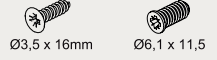


Cabinet Dimensions

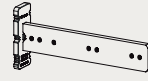
Cabinet Internal Width	CIW
Cabinet Internal Depth	CID
Drawer Depth	DD
Drawer Internal Width	DIW
Nominal Length	NL



Recommended Screw and Templates



Smart Lock Template

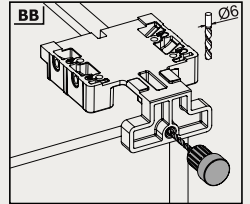
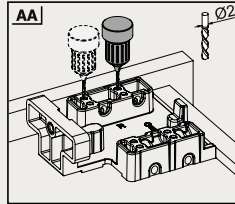
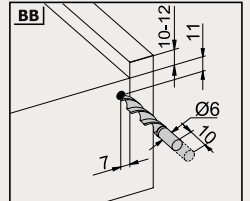
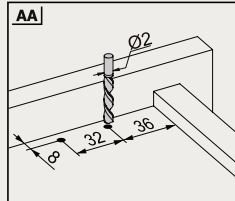
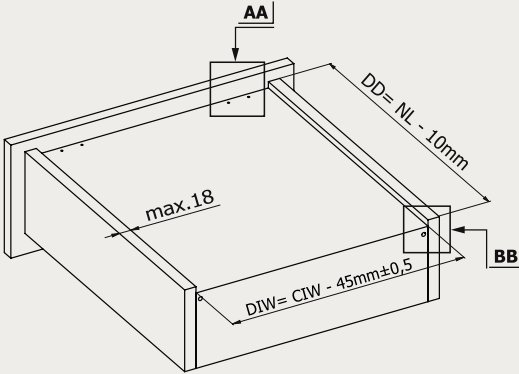


Smart Drilling Jig

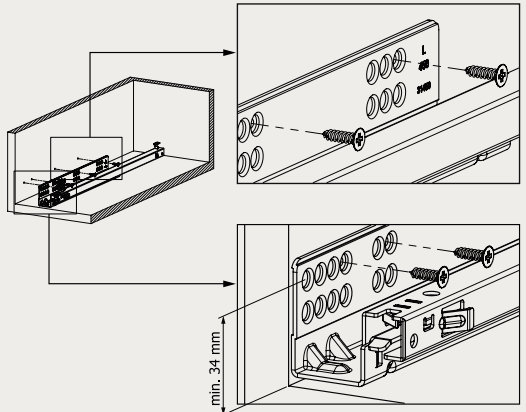
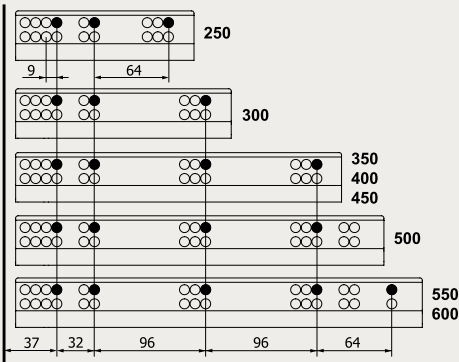


Smart Drilling Jig with Ruler

Drawer Dimensions



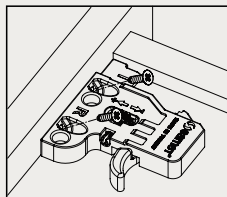
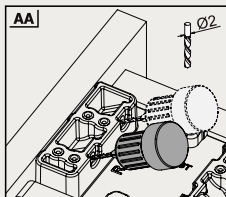
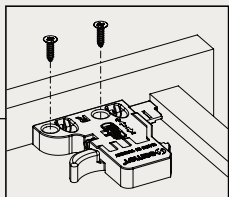
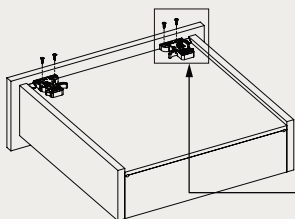
Screw Location for The Slides



*Screw the slides from marked holes.

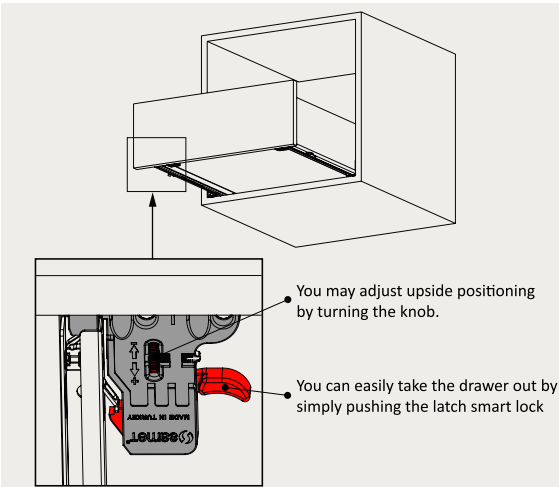
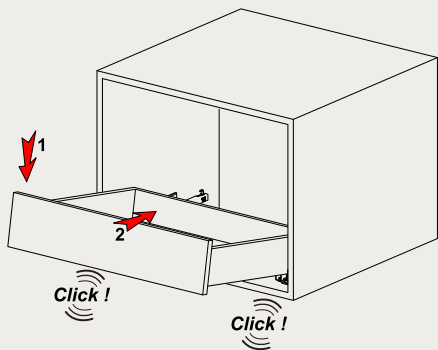


1



Note: Use angled holes to mount smart lock when wooden floor width is selected less than 12 mm.

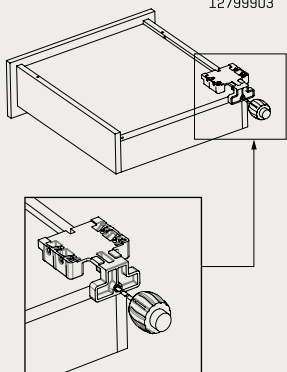
2



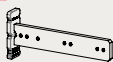
Smart Lock Template



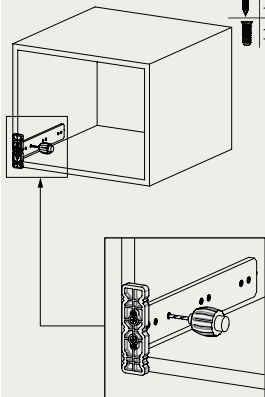
Code
12799903



Smart Drilling Jig



Code
12799902
12799904



Smart Drilling Jig with Ruler



Code
12799901
12799905

