

smart box

Drawer Systems



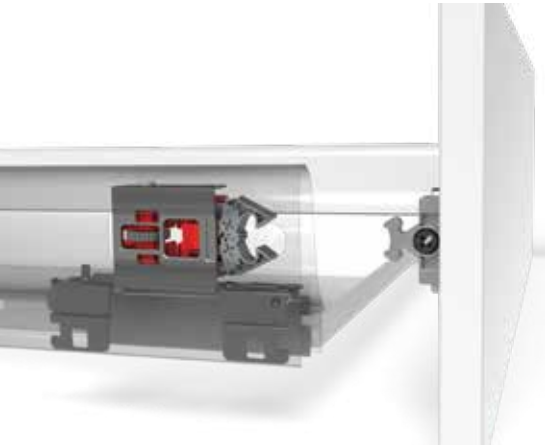
samet

Smooth and Silent Movement

The state-of-the-art technology used in SMART BOX Drawer Systems adds elegance to opening and closing drawer features. Perfection of its technology ensures silent and smooth motion.

Due to the synchronization system used in SMART BOX drawers, the drawers will move smoothly and insilence.





Safe Locking Mechanism and Adjustment Options

A locking mechanism in a drawer is required to improve safety of drawer systems. With the help of this new generation locking mechanism in SMART BOX, along with the aesthetical look and easy utilization design can now be created with high level of safety. SMART BOX upgraded adjustment mechanism, with high tolerance level, was designed in consideration of both, user's and producer's convenience. It offers easy and accurate installation during specially designed furniture production.

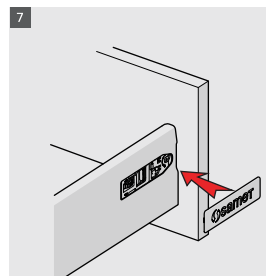
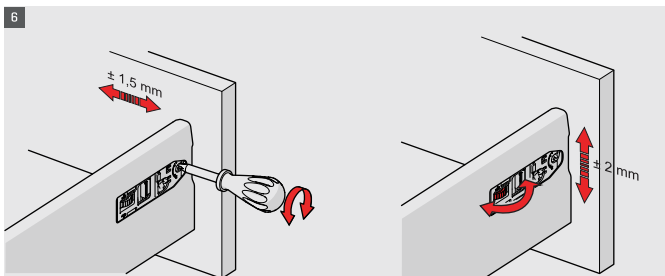
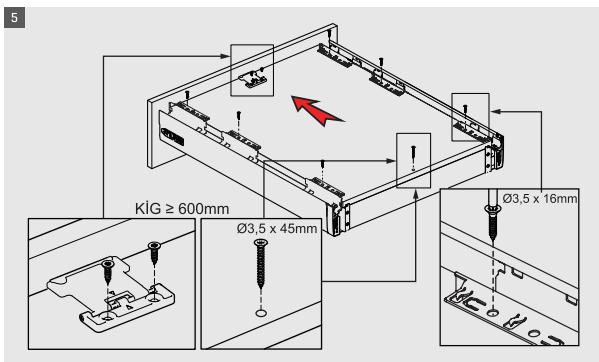
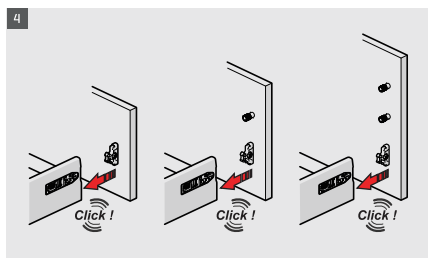
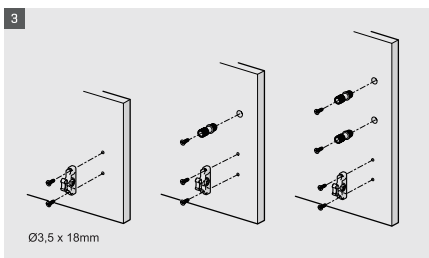
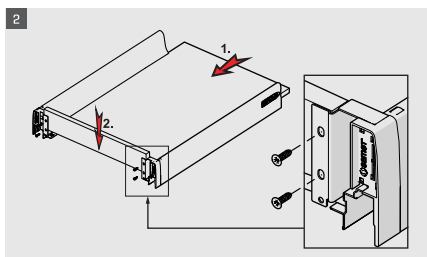
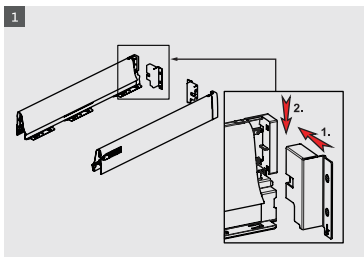


samer

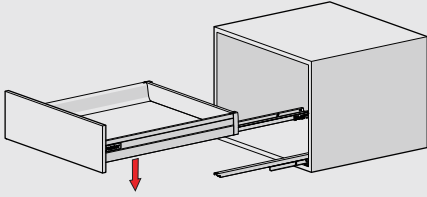
samer

samer

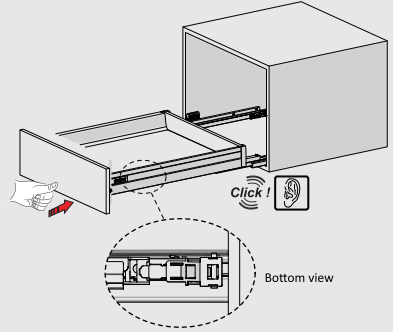
- ▶ Improved soft closing system guarantees smooth running
- ▶ Dynamic load capacity: 40 and 65 kg
- ▶ ± 2 mm vertical and $\pm 1,5$ mm horizontal adjustment.
- ▶ Finish: White, Grey and Black
- ▶ 68, 116, 180 mm casing height
- ▶ Wooden backboard thickness options: 16 mm and 18 mm
- ▶ Drawer Length for 40 kg: 270/300/350/400/450/500/550/600/650 mm
- ▶ Drawer Length for 65 kg: 450/500/550/600/650 mm
- ▶ Smart-Click: Tool free assembly and removal of front panel.
- ▶ Smart-Fit: Simple and tool free assembly, as well as removal of drawer.
- ▶ The improved stability guarantees a long product durability.



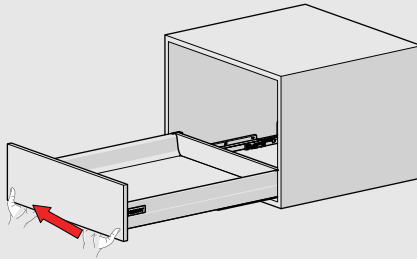
1



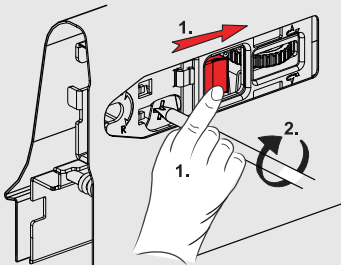
2



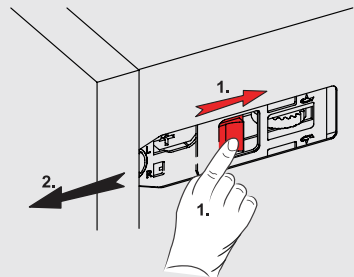
3



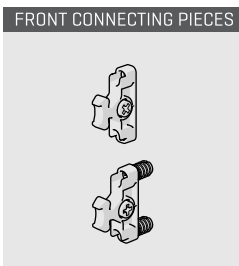
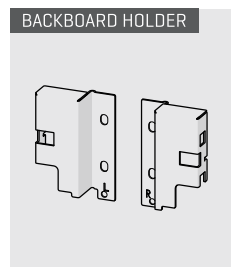
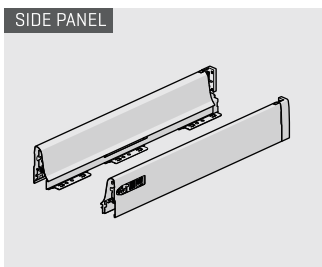
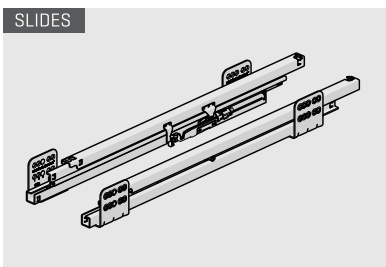
4



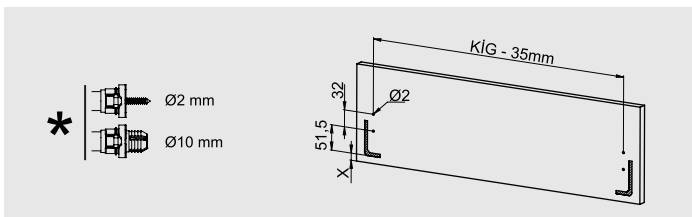
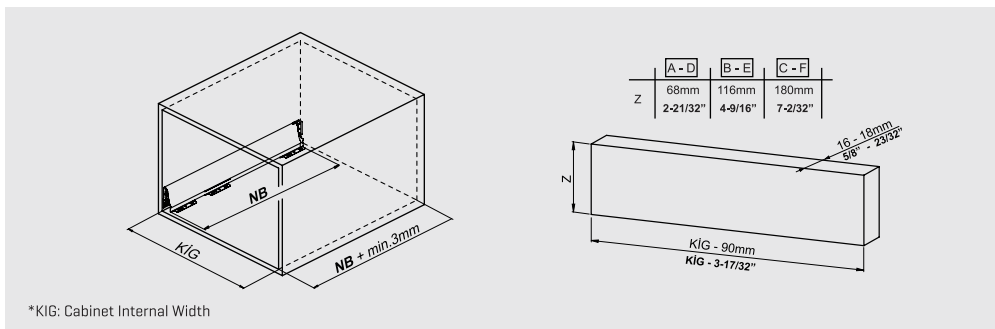
5



MAIN PACKAGE COMPONENTS

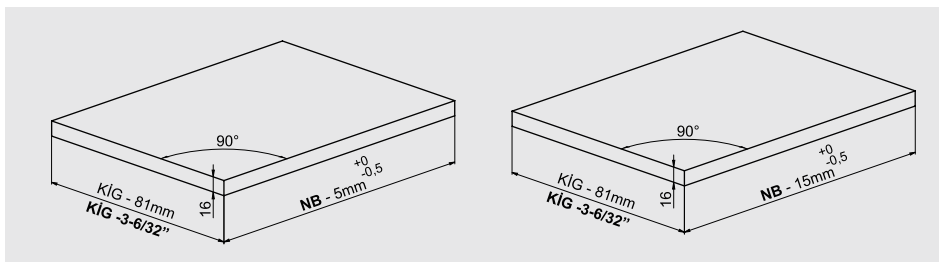


CABINET DIMENSIONS

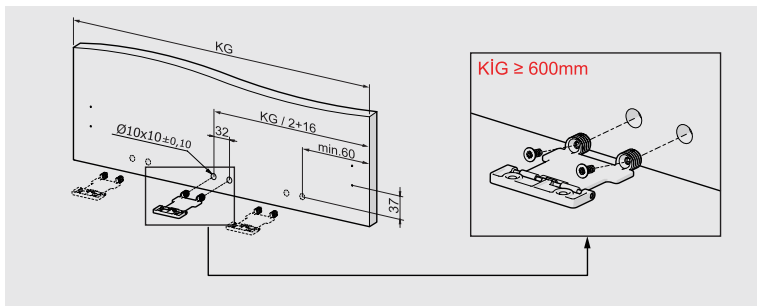


WOODEN BACKBOARD APPLICATION

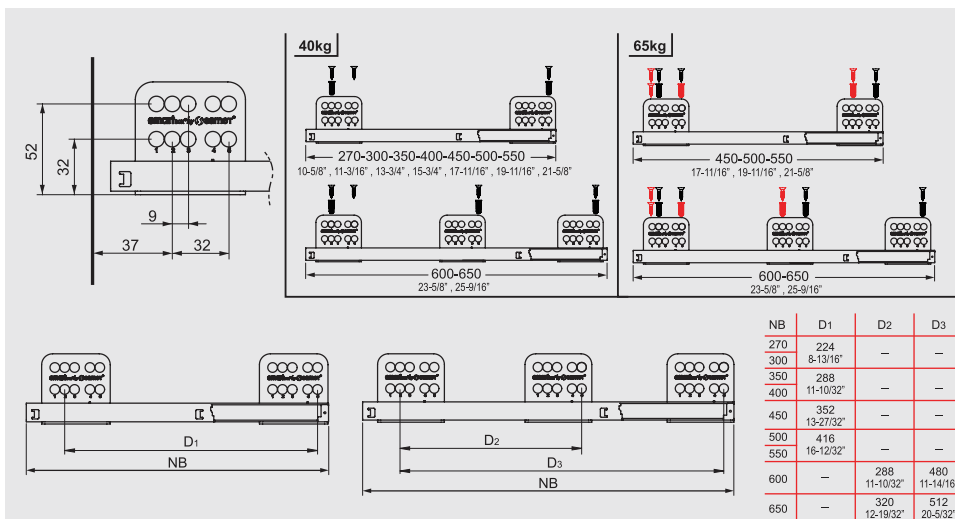
METAL BACKBOARD APPLICATION



DRAWER FRONT STABILIZER



SCREW LOCATION FOR THE SLIDES



Load Capacity 40 kg	Smart Box Wholesale package		
	NOMINAL SIZE	CODE	PACKING
	270 mm	12714021*	4 Set/Box
	300 mm	12714022*	4 Set/Box
	350 mm	12714023*	4 Set/Box
	400 mm	12714024*	4 Set/Box
	450 mm	12714025*	4 Set/Box
	500 mm	12714026*	4 Set/Box
	550 mm	12714027*	4 Set/Box
	600 mm	12714028*	4 Set/Box
	650 mm	12714029*	4 Set/Box

Load Capacity 65 kg	Wholesale package		
	NOMINAL SIZE	CODE	PACKING
	450 mm	12714225*	4 Set/Box
	500 mm	12714226*	4 Set/Box
	550 mm	12714227*	4 Set/Box
	600 mm	12714228*	4 Set/Box
	650 mm	12714229*	4 Set/Box

Wholesale package

- Smart Box Slide Right-Left
- Smart Box Side Right-Left
- Front Connection Panel 2 Pieces
- 3,5x18 mm chipboard screw 4 pieces
- Decorative Covers 2 Pieces

Backpanel holders are not included in wholesale package.
Please order backpanel holders (2) separately.

Backboard Holder Without Gallery Railings		
CODE 16 mm	CODE 18 mm	PACKING
1279181*	1279185*	4 Set/Box
1279182*	1279186*	4 Set/Box
1279183*	1279187*	4 Set/Box

1= White **3**= Grey **5**= Black
Colors can be chosen by adding the number of the color you desire instead of the **[*]** sign.

Example: For 40 kg, 500 mm White Drawer (16 mm) = 127140261*
12791811

Gallery Railing Bar				
NOMINAL SIZE	PACKING	Standard	* Optional (Easy Mounting Gallery Railings)	
		CODE	CODE * Screw	CODE * Dowel
270 mm	20 Set	12790141*	127901851*	127901861*
300 mm	20 Set	12790142*	127901852*	127901862*
350 mm	20 Set	12790143*	127901853*	127901863*
400 mm	20 Set	12790144*	127901854*	127901864*
450 mm	20 Set	12790145*	127901855*	127901865*
500 mm	20 Set	12790146*	127901856*	127901866*
550 mm	20 Set	12790147*	127901857*	127901867*
600 mm	20 Set	12790148*	127901858*	127901868*
650 mm	20 Set	12790149*	127901859*	127901869*

Load Capacity 40 kg		Smart Box Slide Right-Left		
NOMINAL SIZE	CODE Right	CODE Left	PACKING	
270 mm	12714311	12714312	20 Pcs	
300 mm	12714321	12714322	20 Pcs	
350 mm	12714331	12714332	20 Pcs	
400 mm	12714341	12714342	20 Pcs	
450 mm	12714351	12714352	20 Pcs	
500 mm	12714361	12714362	20 Pcs	
550 mm	12714371	12714372	20 Pcs	
600 mm	12714381	12714382	20 Pcs	
650 mm	12714391	12714392	20 Pcs	

Load Capacity 65 kg		Smart Box Slide Right-Left		
NOMINAL SIZE	CODE Right	CODE Left	PACKING	
450 mm	12714451	12714452	20 Pcs	
500 mm	12714461	12714462	20 Pcs	
550 mm	12714471	12714472	20 Pcs	
600 mm	12714481	12714482	20 Pcs	
650 mm	12714491	12714492	20 Pcs	

Front Connection Pieces

PRODUCT DESCRIPTION	CODE	PACKING
Zinc	127904121	500 Pcs
Zinc Ø10 Dowel	127904122	500 Pcs
Zinc Ø8 Dowel	127904123	500 Pcs

		Gallery Railing Bar		
		Standard	* Optional (Easy Mounting Gallery Railings)	
NOMINAL SIZE	PACKING	CODE	CODE * Screw	CODE * Dowel
270 mm	20 Set	12790141*	127901851*	127901861*
300 mm	20 Set	12790142*	127901852*	127901862*
350 mm	20 Set	12790143*	127901853*	127901863*
400 mm	20 Set	12790144*	127901854*	127901864*
450 mm	20 Set	12790145*	127901855*	127901865*
500 mm	20 Set	12790146*	127901856*	127901866*
550 mm	20 Set	12790147*	127901857*	127901867*
600 mm	20 Set	12790148*	127901858*	127901868*
650 mm	20 Set	12790149*	127901859*	127901869*

1 = White **3** = Grey **5** = Black
Colors can be chosen by adding the number of the color you desire instead of the **[*]** sign.

Example: For 40 kg, 500 mm White Drawer [16 mm] = 127140261+
12791811

Smart Box Side Panel Right-Left		
CODE Right	CODE Left	PACKING
12714511*	12714512*	20 Pcs
12714521*	12714522*	20 Pcs
12714531*	12714532*	20 Pcs
12714541*	12714542*	20 Pcs
12714551*	12714552*	20 Pcs
12714561*	12714562*	20 Pcs
12714571*	12714572*	20 Pcs
12714581*	12714582*	20 Pcs
12714591*	12714592*	20 Pcs

Decorative Cover			Top Gallery Railing Holder		
COLOR	CODE	PACKING	COLOR	CODE	PACKING
White	1279051	1000 Pcs	White	12790611	250 Pcs
Grey	1279053	1000 Pcs	Grey	12790613	250 Pcs
Black	1279055	1000 Pcs	Black	12790615	250 Pcs

Bottom Gallery Railing Holder





COLOR	CODE	PACKING
White	12790621	250 Pcs
Grey	12790623	250 Pcs
Black	12790625	250 Pcs

Backboard Holder				
TYPE	Wooden B. Panel	CODE Right	CODE Left	PACKING
Without Gallery Railing	16mm	1279190*1	1279190*2	40 Pcs
	18mm	12790211*	12790212*	40 Pcs
Single Gallery Railing	16mm	1279191*1	1279191*2	20 Pcs
	18mm	12790221*	12790222*	20 Pcs
Double Gallery Railing	16mm	1279192*1	1279192*2	10 Pcs
	18mm	12790231*	12790232*	10 Pcs

samET



www.samet.com.tr

-  facebook.com/SametGroup
-  twitter.com/SametGroup
-  linkedin.com: Samet Kalıp ve Madeni Eşya San. ve Tic. A.Ş.
-  youtube.com/sametinternational