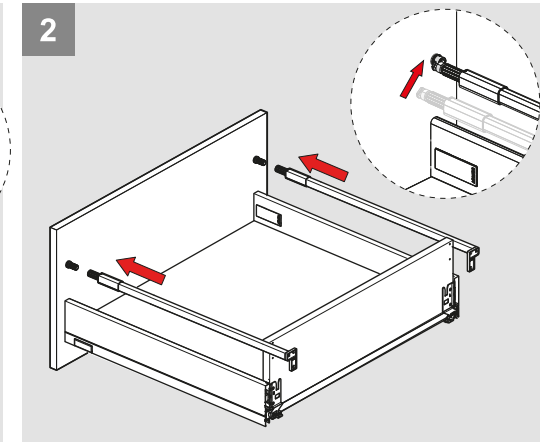
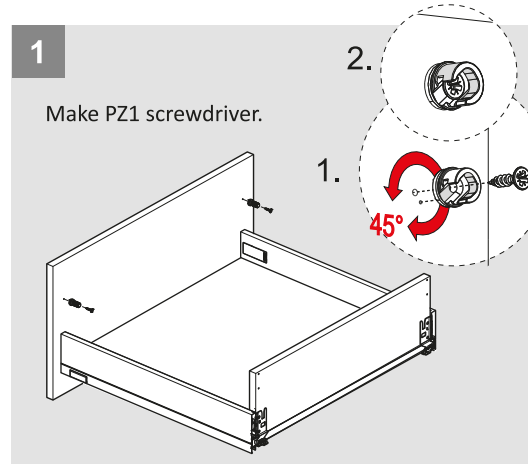
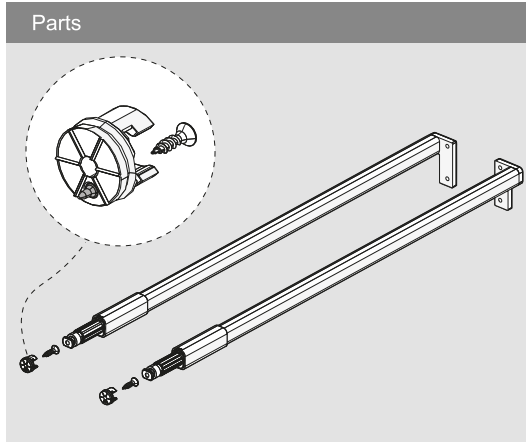
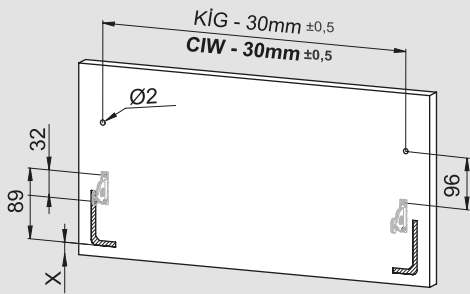


Height 58 side panel has been taken as a reference for assembly instructions.

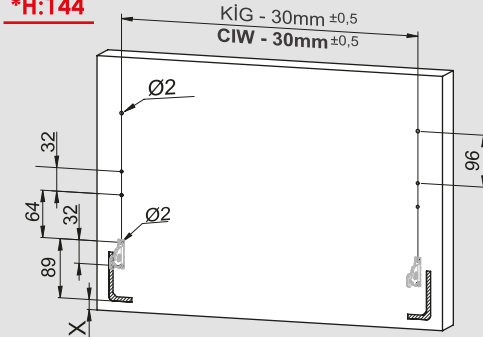


Technical Dimensions

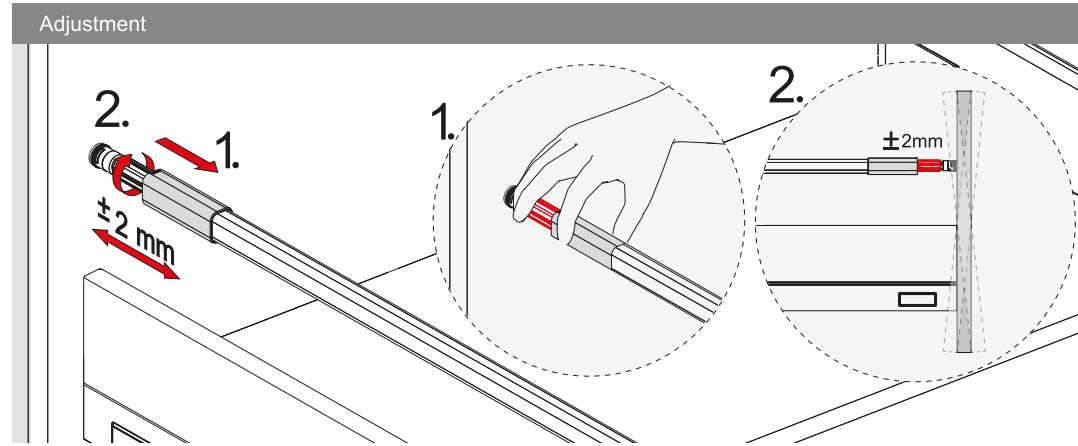
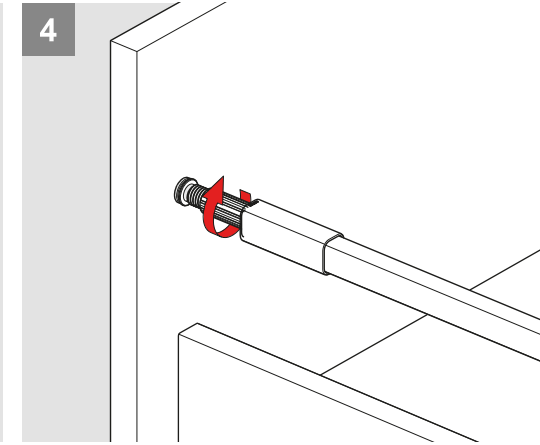
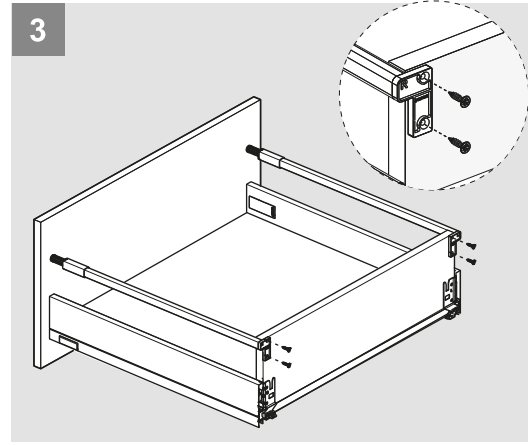
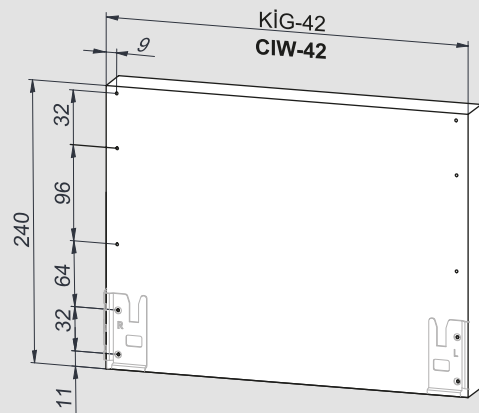
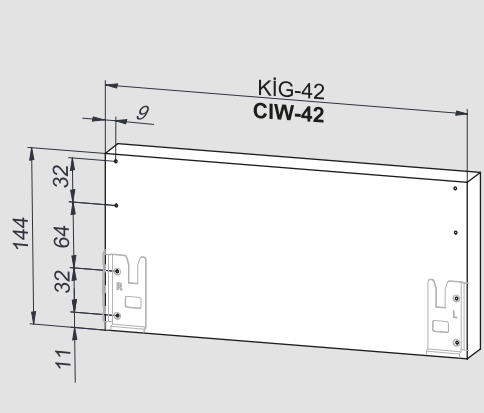
**\*H:58**

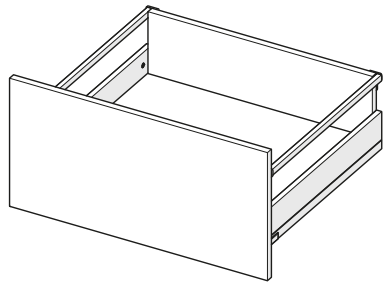


**\*H:144**

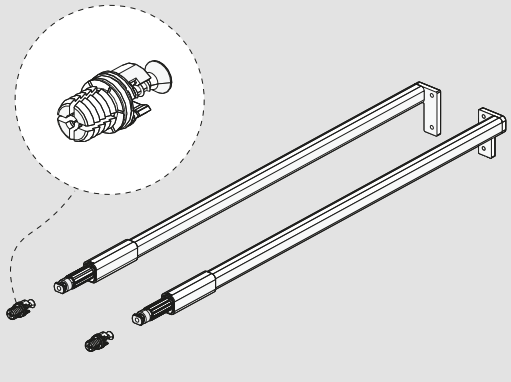


Wooden Backboard





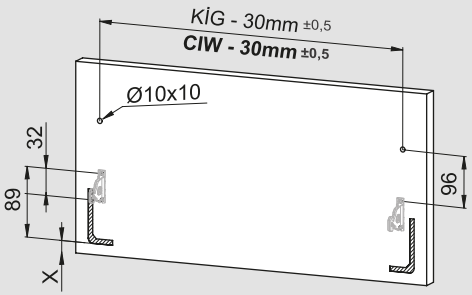
Parts



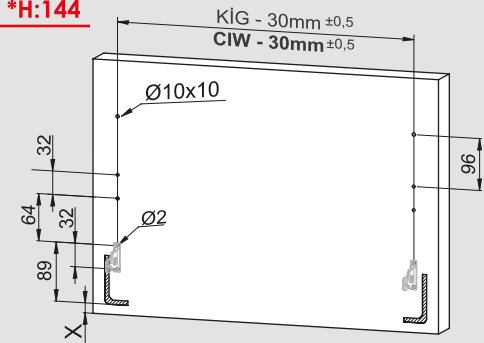
Height 58 side panel has been taken as a reference for assembly instructions.

Technical Dimensions

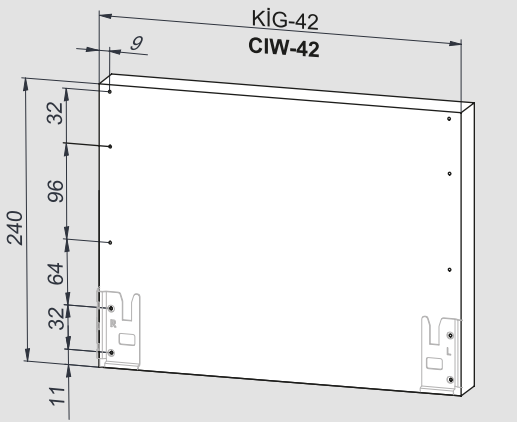
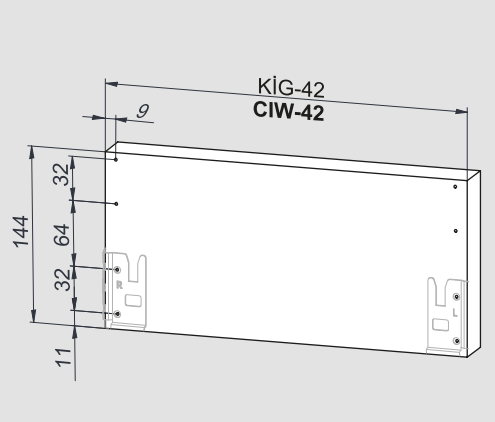
**\*H:58**



**\*H:144**

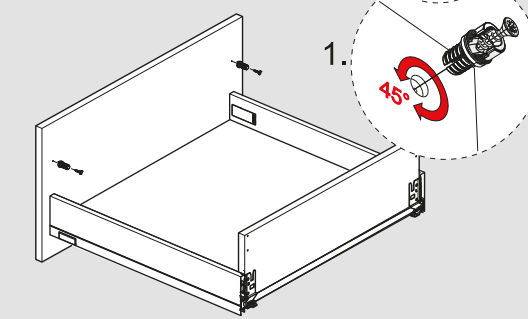


Wooden Backboard

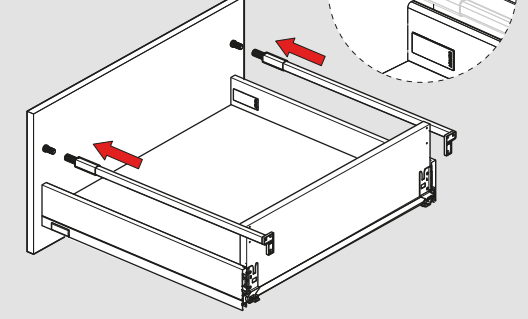


1

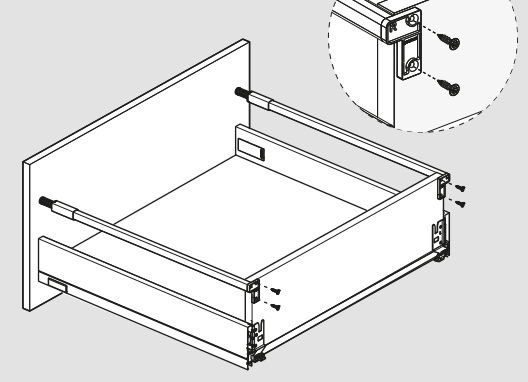
Make PZ1 screwdriver.



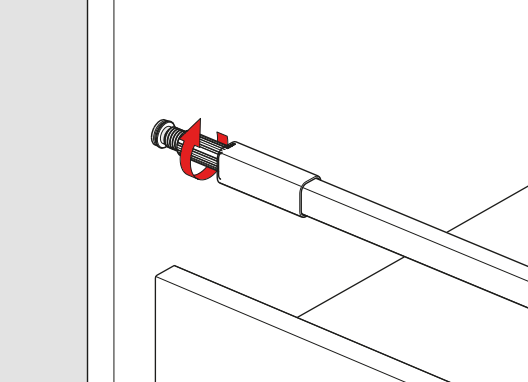
2



3



4



Adjustment

