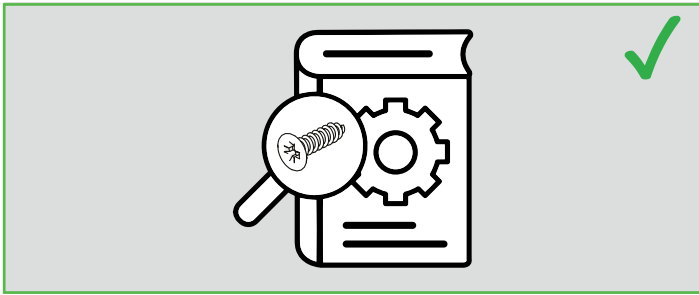


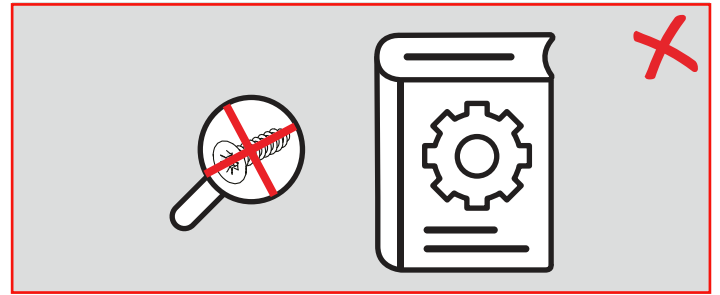
- DO - 

- DON'T - 

1

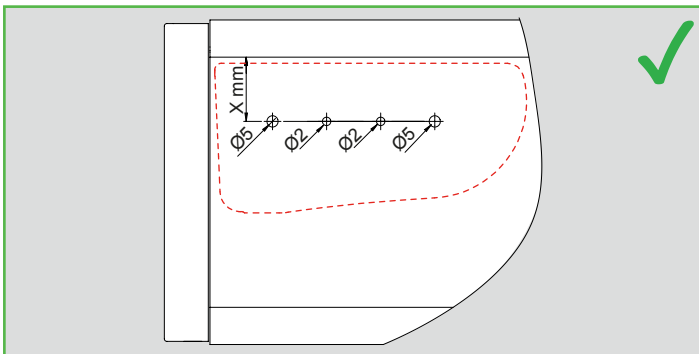


Refer to the Solo-Mech User Manual for specific screw types to be used with the Solo-Mech lifting systems.

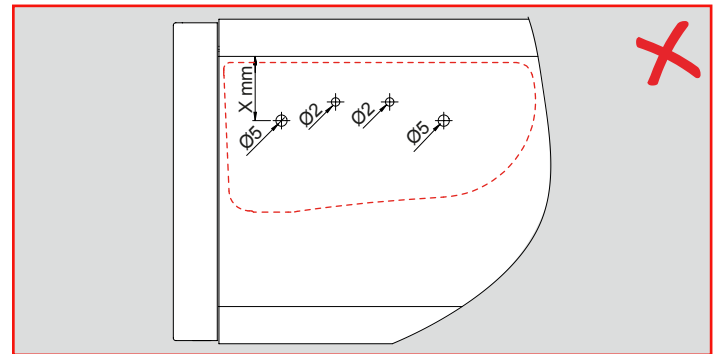


Do not use screws that are not specified in the Solo-Mech User Manual with the Solo-Mech lifting systems.

2

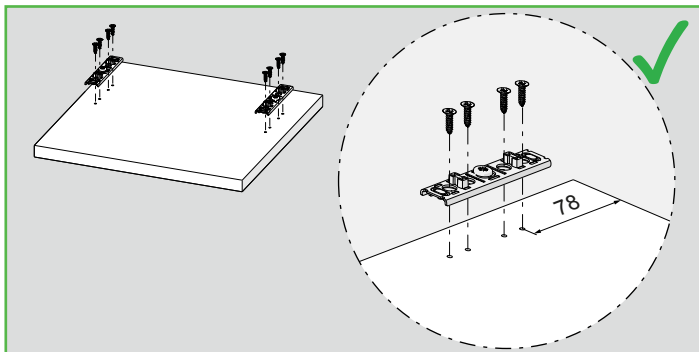


All holes should be on same axis.

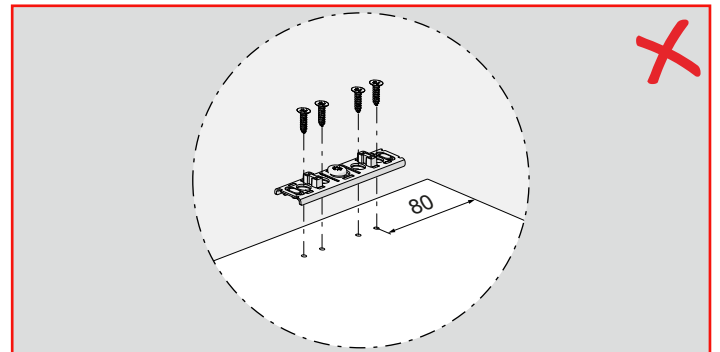


Holes should not be on a different axis.

3

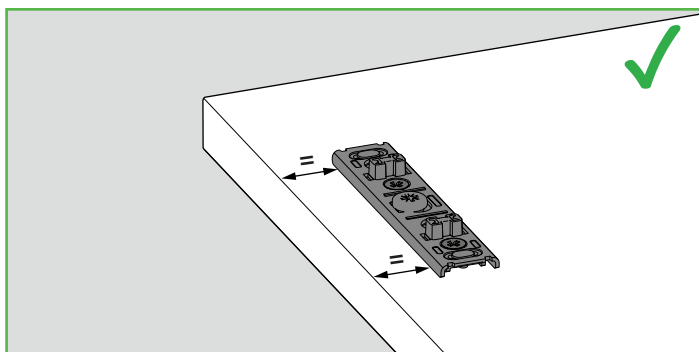


The first hole on the mounting plates should be located 78 mm down from top edge of the door.

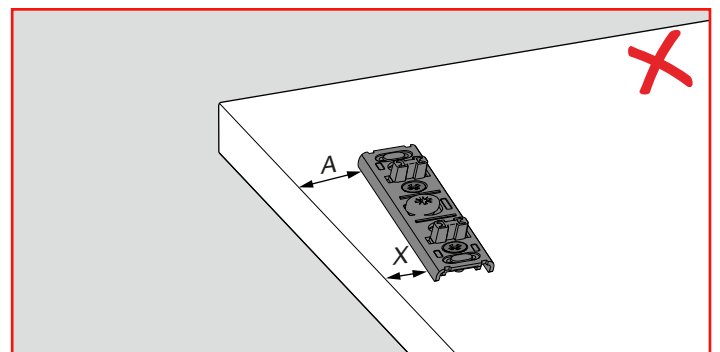


The first hole on the mounting plates should not be located more than 78 mm down from top edge of the door.

4

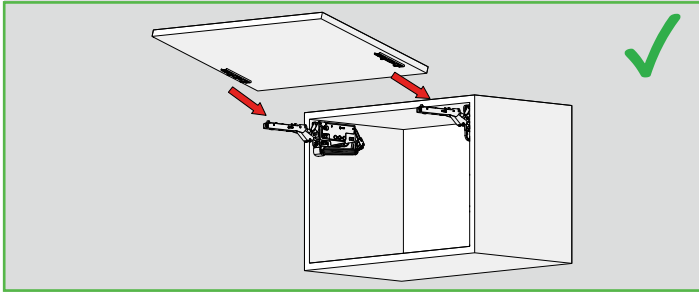


Mounting plates should be level to the edge of the door.



Mounting plates should not be out of level with the edge of the door.

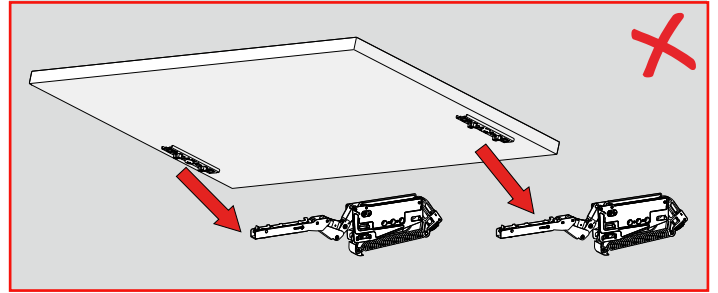
- DO - 



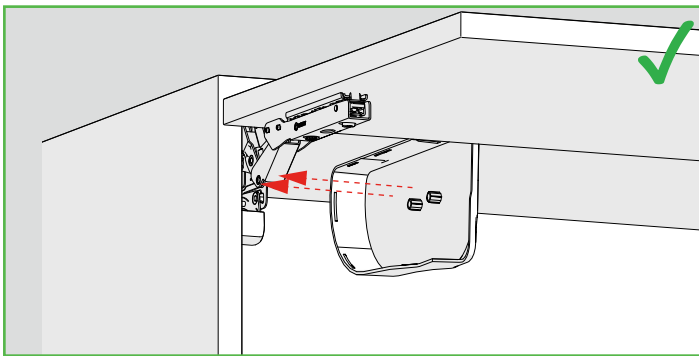
5

Doors should be installed after the installation of the mechanisms.

- DON'T - 

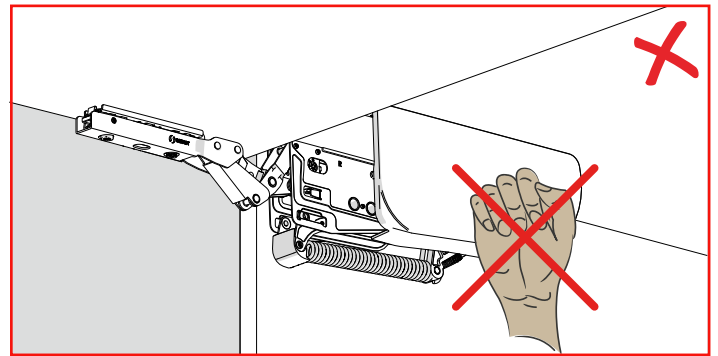


Mounting plates and mechanisms should not be put together before installation of the mechanisms.

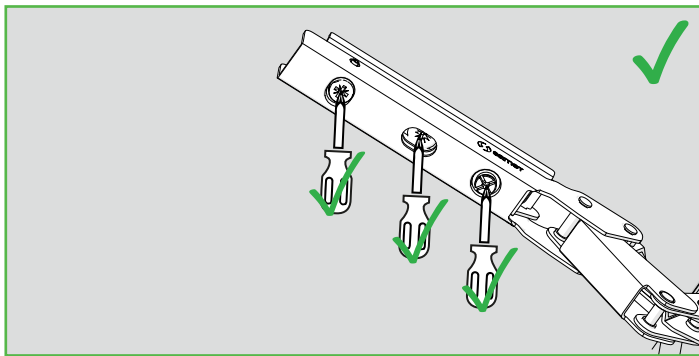


6

Decorative covers should be installed to the mechanism gently.

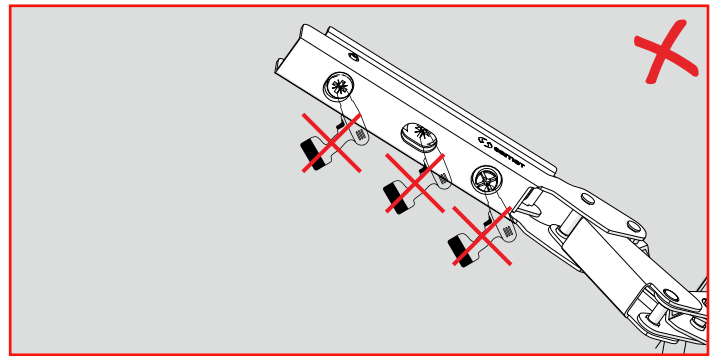


Decorative covers should not be installed to the mechanism with force.

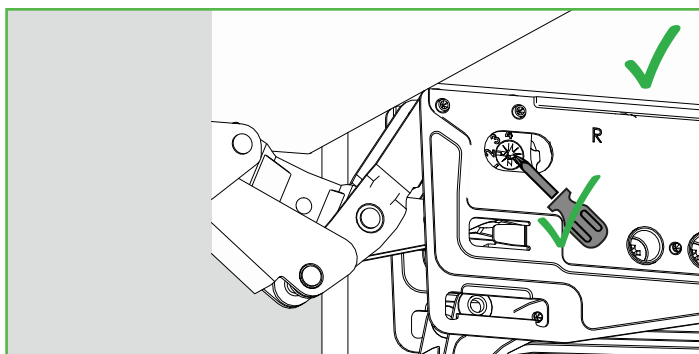


7

Mounting plate adjustments should be made with a manual screwdriver, with a # 2 Pozi Drive tip.

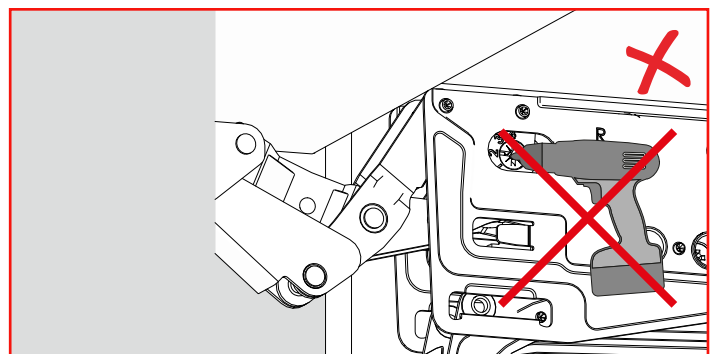


Mounting plate adjustments should not be made with a power drill or power screwdriver.



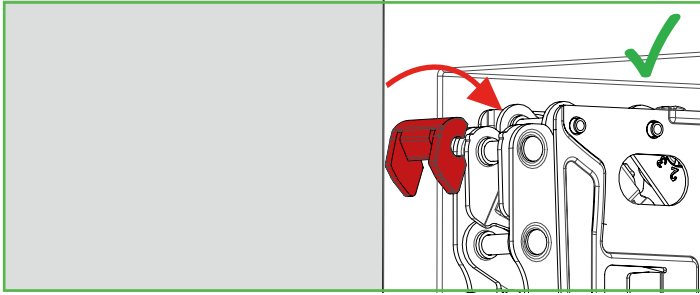
8

Mechanism adjustments should be made with a manual screwdriver, with a # 2 Pozi Drive tip.



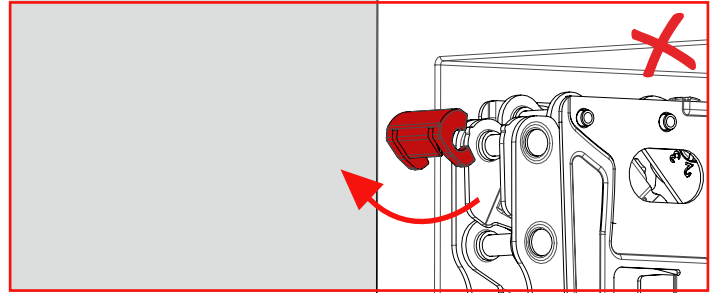
Mechanism adjustments should not be made with a power drill or power screwdriver.

- DO - 

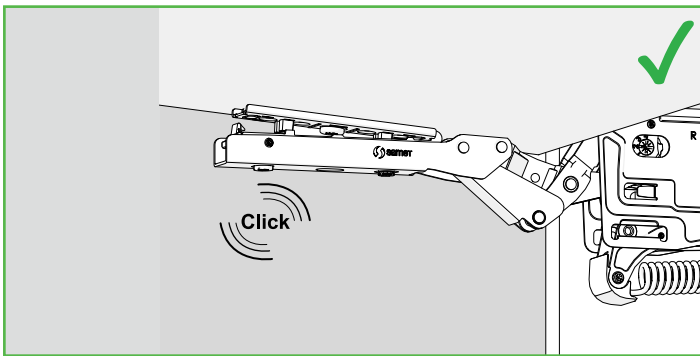


9
Opening angle restriction stopper should be used to reduce the doors opening angle.

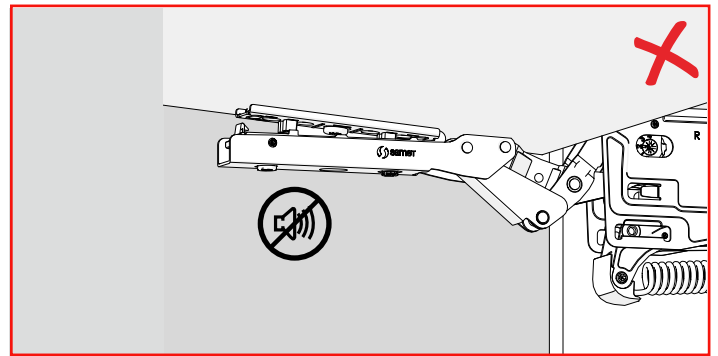
- DON'T - 



Existing restriction stopper should not be used when not needing to reduce the doors opening angle.



10
Doors are engaged and installed correctly after you hear a "click" sound.



Door should not be left un-attended until you hear a "click" sound and the doors are engaged and installed correctly.