



CIW : Cabinet Inner Width

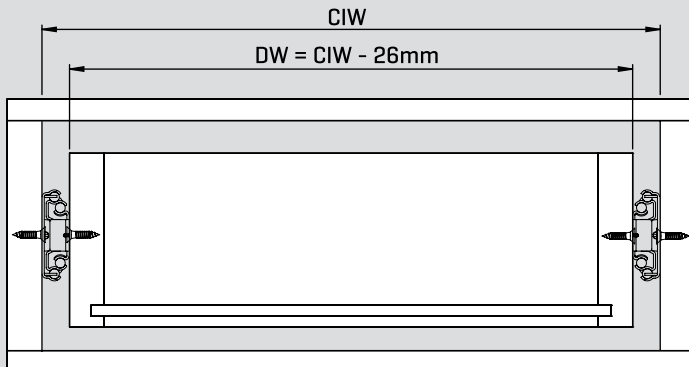
DW : Drawer Width

NL : Nominal Length

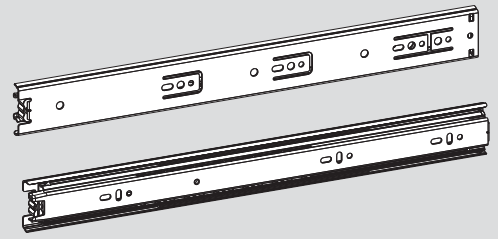
CD : Cabinet Depth

DD : Drawer Depth

Technical Dimesions



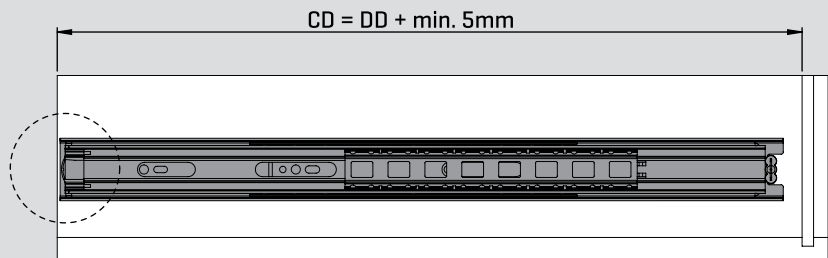
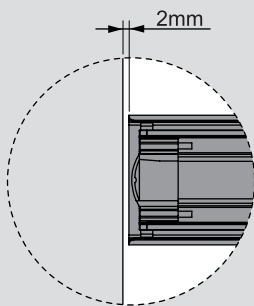
Parts



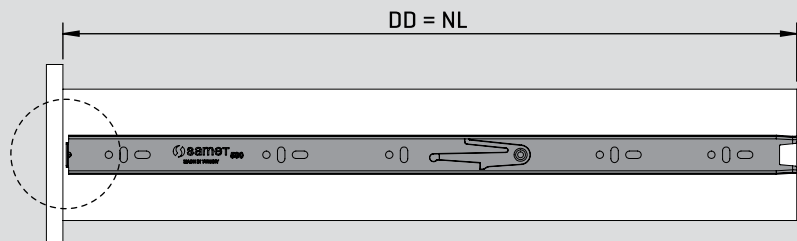
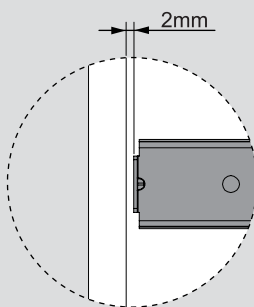
Recommended Screw



Cabinet Dimensions

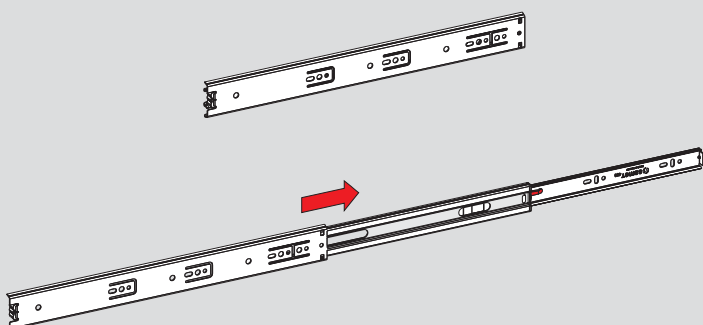


Drawer Dimensions

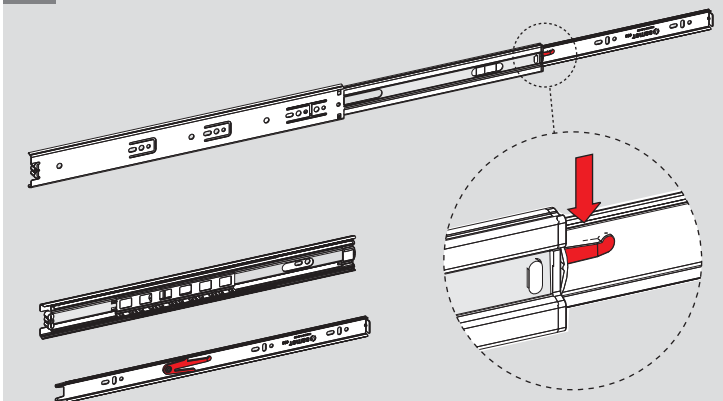


Assembly

1



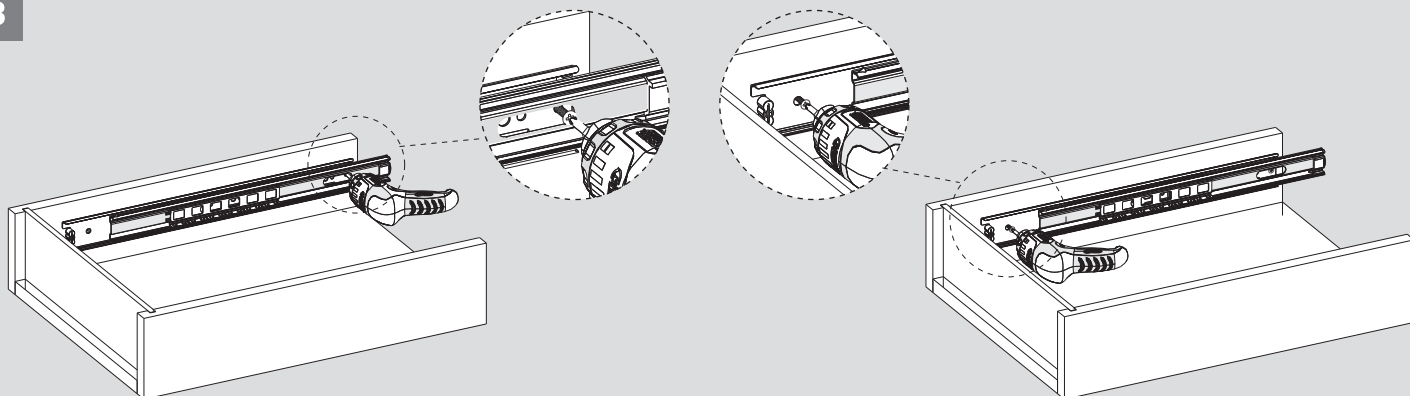
2



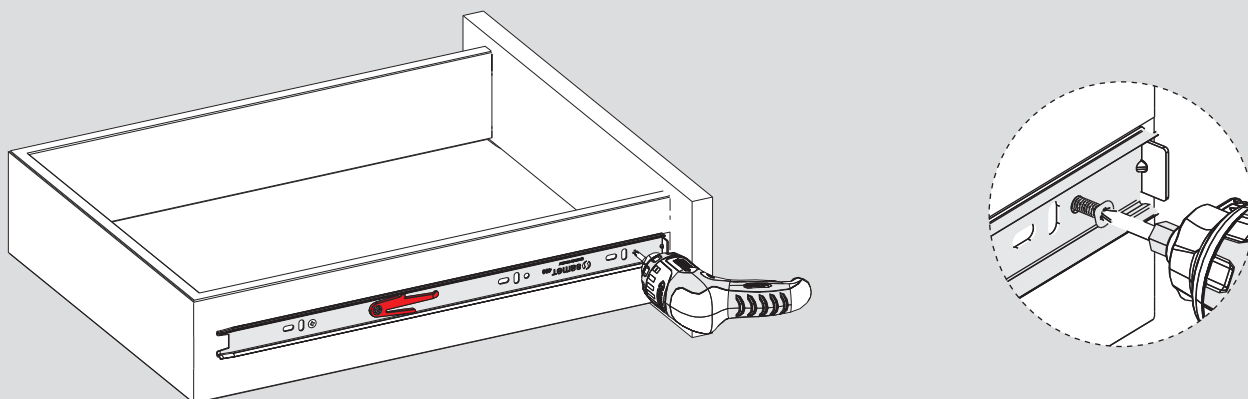


Assembly

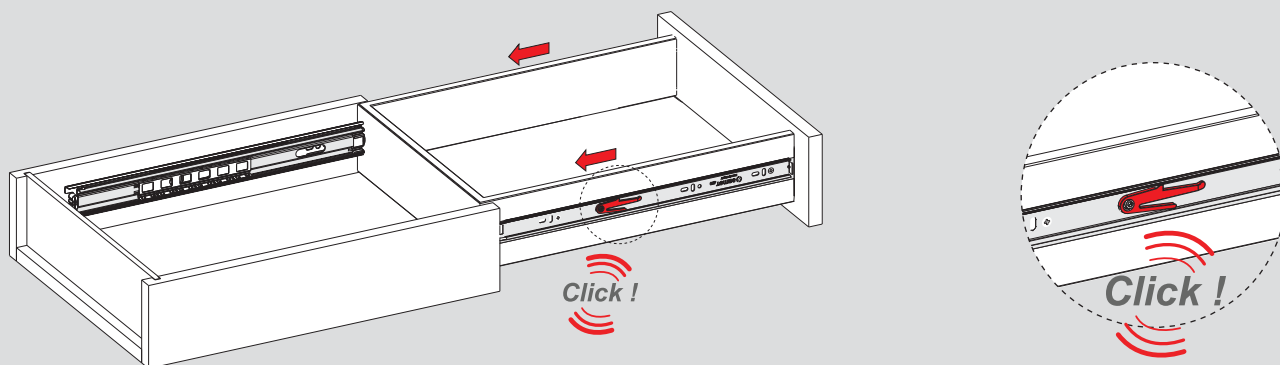
3



4



5



6

