

# Solo Mech

Hingeless Single Lift-Up Door Mechanism



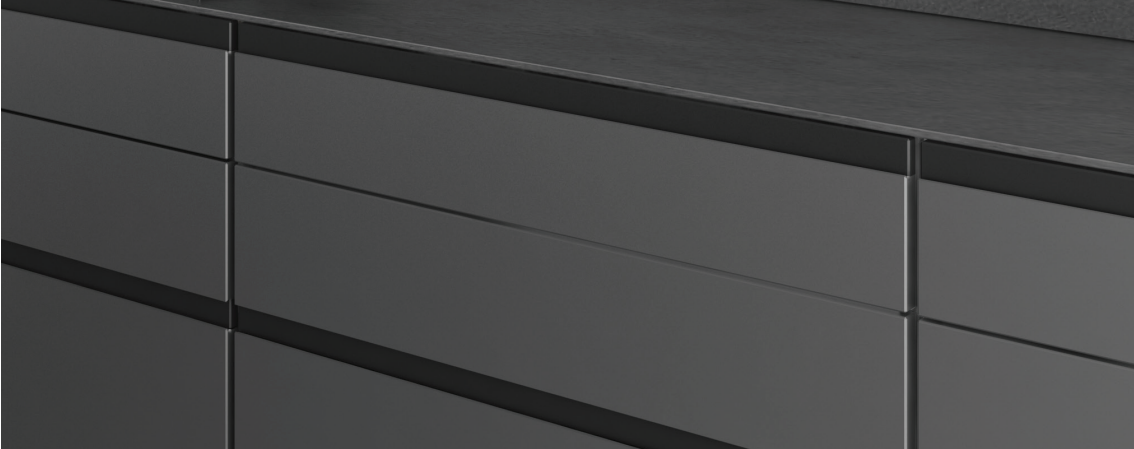
**samet**

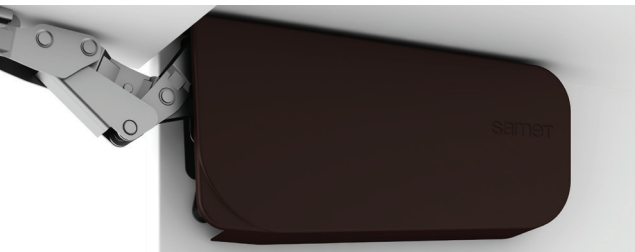


## Outstanding Design Results In Magical Movement and Pure Silence

---

**Solo-Mech** ensures flawless “open and close” movement with innovative “hinge-less” technology.

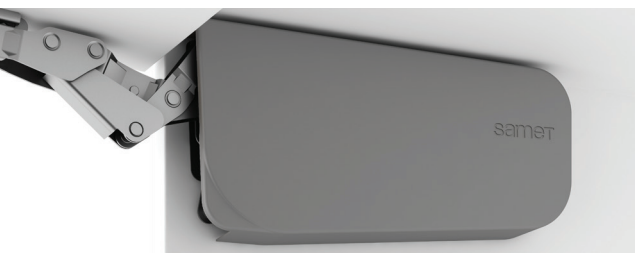




**MOCHA**



**ANTHRACITE**



**GREY**



**WHITE**

Provides great colour alternatives with Anthracite, Mocha, Grey and White colour options.

---



**Soft and silent movement  
features provide maximum  
comfort.**

With its gradual-open mechanism,  
cabinet doors can be stopped at a  
desired level.

**“Fully mechanic”  
lifting structure provides  
lifetime stability.**





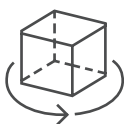
UP  
DOWN



LEFT  
RIGHT



BACK  
FORWARD



### 3D Adjustment

---

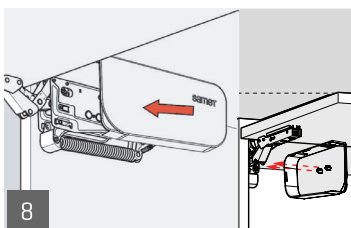
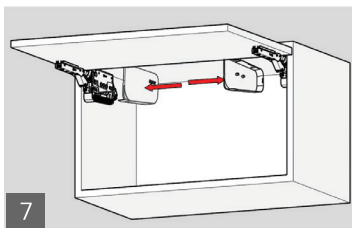
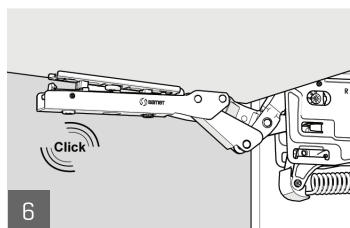
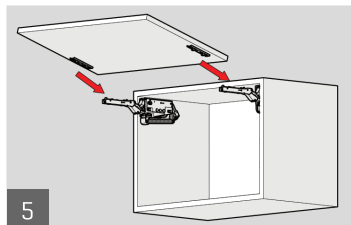
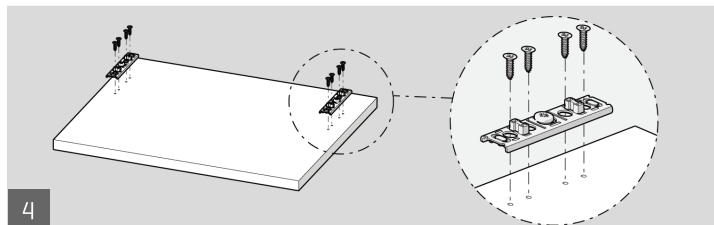
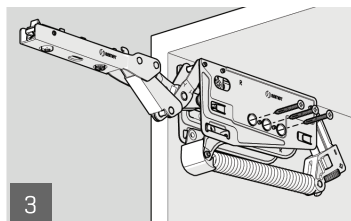
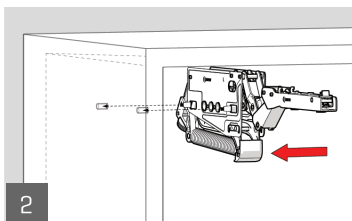
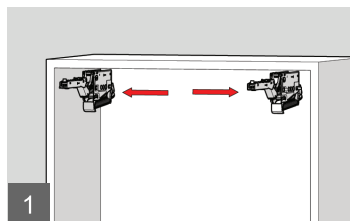
Solo-Mech's three dimensional alignment mechanism enables flawless installation.

## Solo-Mech Aluminium Frame Solution

---





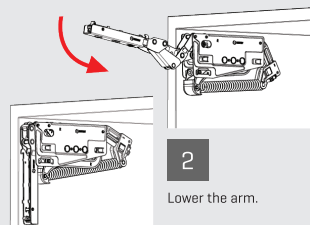


1

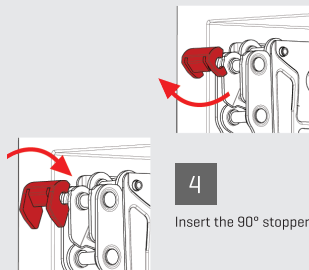
The stopper is used to limit the opening angle of 90°.

3

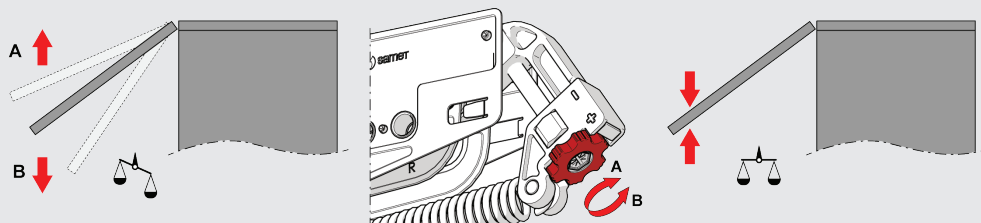
Remove the existing stopper.



Lower the arm.



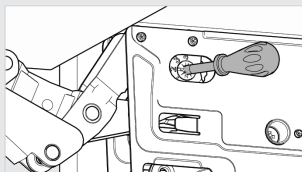
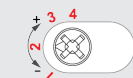
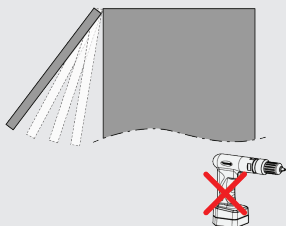
Insert the 90° stopper.



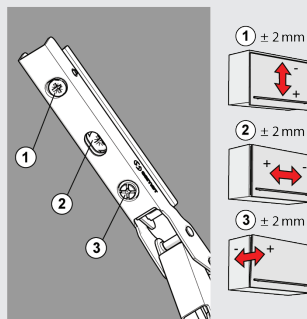
If, when the door is released, it rises instead of remaining in position, turn in direction "A," and if it descends, turn in direction "B" in order to adjust balance.

Low braking at setting 1, High braking at setting 4.

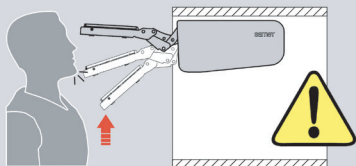
If the door closes too fast or too slowly, you can adjust the strength of the soft closing mechanism by adjusting from the specified position.



**Important:** Do not force the adjustment mechanism beyond the end point.

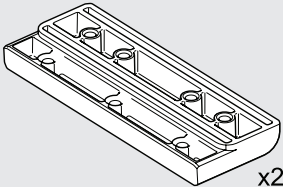


## SAFETY INFORMATION

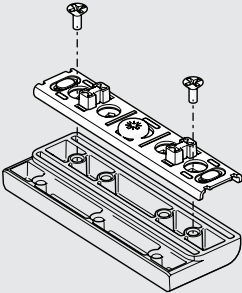


Caution:  
Lever arm can  
spring up and  
cause injury.

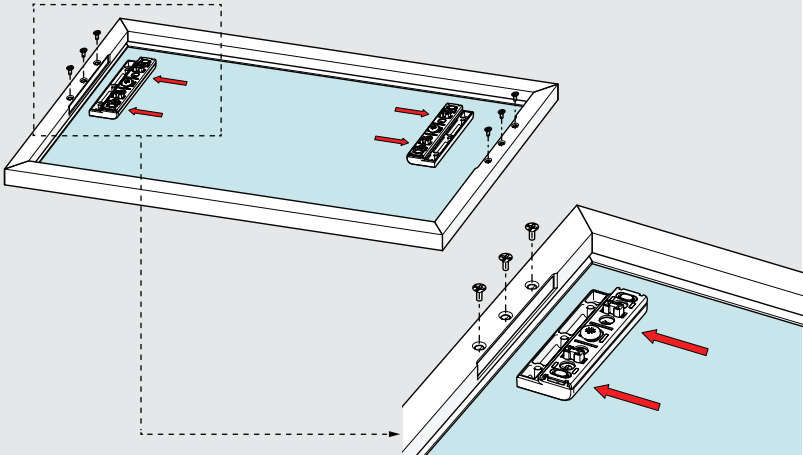
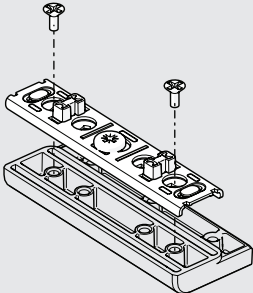
DESCRIPTION	CODE
Solo-Mech Aluminium Framed Door Connector	1249910



x10  
M4  
[DIN 7500M]

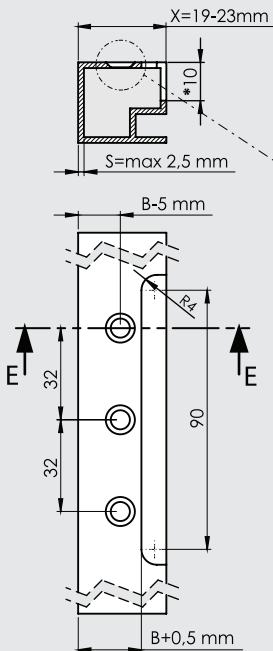
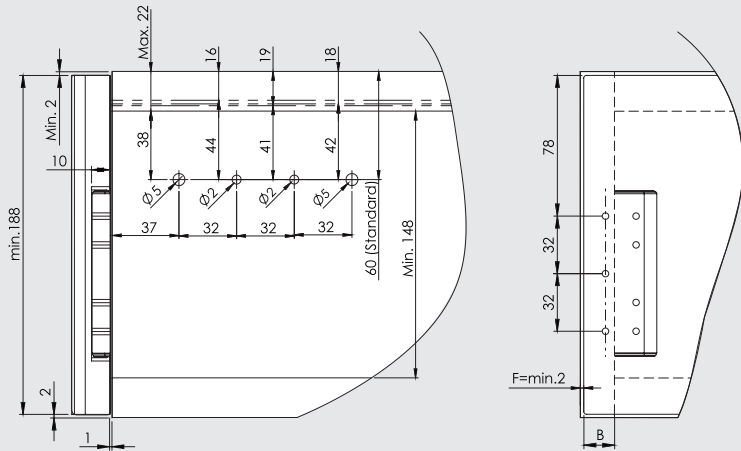


1

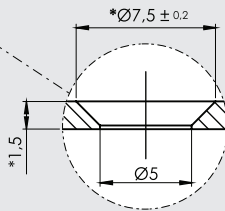


2





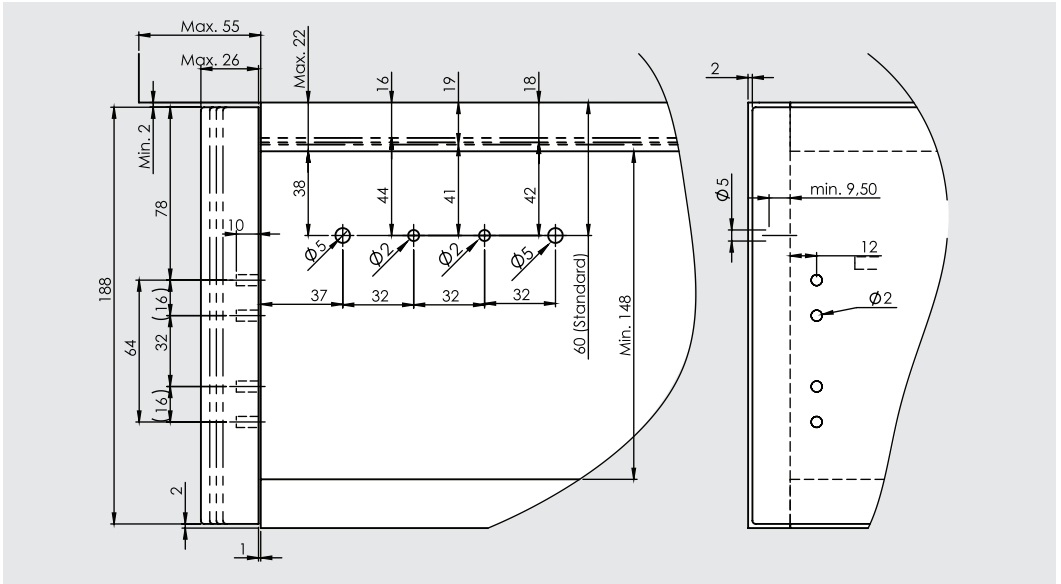
If  $B + 19 > X$ , "Aluminium Door Connection Adapter" should be used.



- F : Minimum Gap
- B : Side Overlay
- S : Profile Material Thickness
- X : Profile Width

B = max. 17 mm for 19 mm width aluminium profiles.

**Important**  
 \*If the material thickness [S] is changed,  
 application dimensions should be calculated again.



DOOR HEIGHT	POWER UNIT	A1		B1		C1	
		min. kg	max. kg	min. kg	max. kg	min. kg	max. kg
200 mm		3,6	6,5	5	9,7	7	14,7
201-250 mm		3,4	5,3	4	7,5	5,5	12,2
251-300 mm		1,9	4,9	3	5,9	4,5	9,9
301-350 mm		1,6	3,6	2,8	5	4	7,9
351-400 mm		1,4	3,1	2,4	4,2	3,6	7,2
401-450 mm		1,3	2,8	2,2	3,8	3,2	6,3
451-500 mm		1,2	2,5	2	3,4	2,8	5,5
501-550 mm		1	2,2	1,75	3	2,6	5,1
551-600 mm		0,95	2	1,7	2,8	2,5	4,6

More powerful mechanism is recommended for intersection areas.

### Solo-Mech Wholesale Package

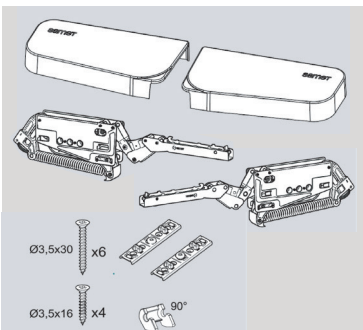
CODE	DESCRIPTION	POWER	COLOR	PACKAGE
12417610001001	Solo-Mech Wholesale Package	A1	White	1 Set/ Box
12417610003001	Solo-Mech Wholesale Package	A1	Grey	1 Set/ Box
12417610006001	Solo-Mech Wholesale Package	A1	Mocha	1 Set/ Box
12417610007001	Solo-Mech Wholesale Package	A1	Anthracite	1 Set/ Box
12417710001001	Solo-Mech Wholesale Package	B1	White	1 Set/ Box
12417710003001	Solo-Mech Wholesale Package	B1	Grey	1 Set/ Box
12417710006001	Solo-Mech Wholesale Package	B1	Mocha	1 Set/ Box
12417710007001	Solo-Mech Wholesale Package	B1	Anthracite	1 Set/ Box
12417810001001	Solo-Mech Wholesale Package	C1	White	1 Set/ Box
12417810003001	Solo-Mech Wholesale Package	C1	Grey	1 Set/ Box
12417810006001	Solo-Mech Wholesale Package	C1	Mocha	1 Set/ Box
12417810007001	Solo-Mech Wholesale Package	C1	Anthracite	1 Set/ Box

### Solo-Mech Industrial Package Mechanism

CODE	DESCRIPTION	POWER	SIDE	PACKAGE
124176200	Solo-Mech Industrial Package Mechanism	A1	Right	10 Pcs. / Box
124176300	Solo-Mech Industrial Package Mechanism	A1	Left	10 Pcs. / Box
124177200	Solo-Mech Industrial Package Mechanism	B1	Right	10 Pcs. / Box
124177300	Solo-Mech Industrial Package Mechanism	B1	Left	10 Pcs. / Box
124178200	Solo-Mech Industrial Package Mechanism	C1	Right	10 Pcs. / Box
124178300	Solo-Mech Industrial Package Mechanism	C1	Left	10 Pcs. / Box

### Solo-Mech Industrial Package - Cover

CODE	DESCRIPTION	COLOR	SIDE	PACKAGE
124179201001	Solo-Mech Industrial Package - Cover	White	Right	10 Pcs. / Box
124179203001	Solo-Mech Industrial Package - Cover	Grey	Right	10 Pcs. / Box
124179206001	Solo-Mech Industrial Package - Cover	Mocha	Right	10 Pcs. / Box
124179207001	Solo-Mech Industrial Package - Cover	Anthracite	Right	10 Pcs. / Box
124179301001	Solo-Mech Industrial Package - Cover	White	Left	10 Pcs. / Box
124179303001	Solo-Mech Industrial Package - Cover	Grey	Left	10 Pcs. / Box
124179306001	Solo-Mech Industrial Package - Cover	Mocha	Left	10 Pcs. / Box
124179307001	Solo-Mech Industrial Package - Cover	Anthracite	Left	10 Pcs. / Box



# samet



[www.sametglobal.com](http://www.sametglobal.com)



sametinternational



samet\_global



SametGroup



Samet Kalıp ve Madeni Eşya San. ve Tic. A.Ş.