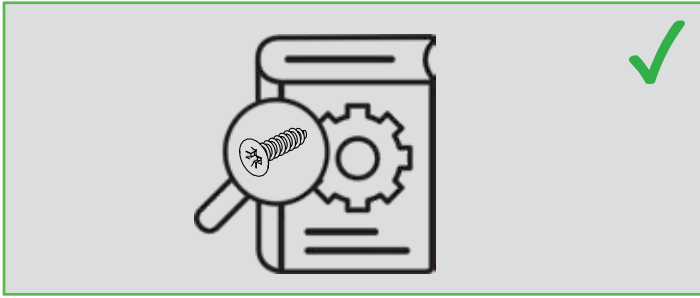


FLOWBOX

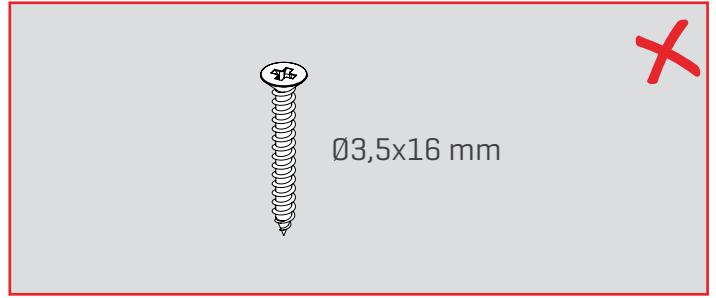
- DO - 

- DON'T - 

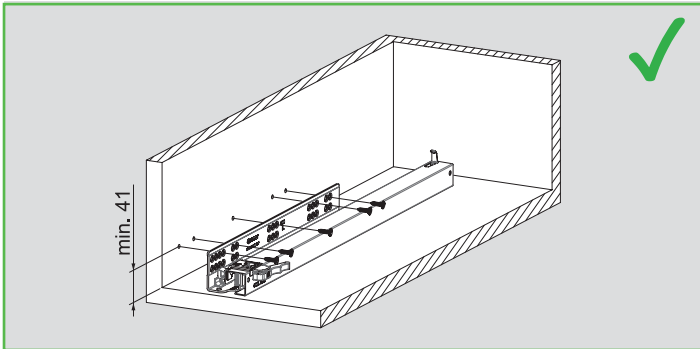


1

Refer to the Flowbox User Manual for specific screw types to be used with the Flowbox system.

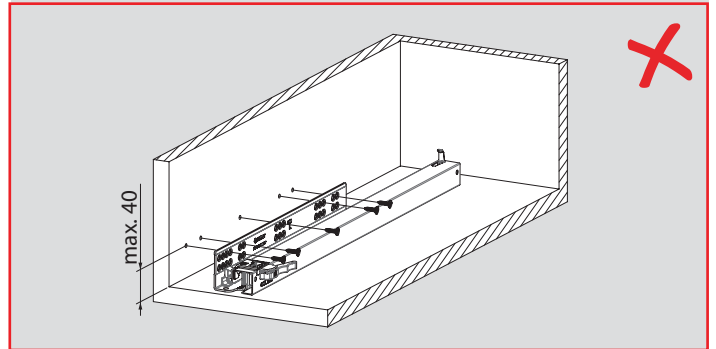


Screws longer than 16 mm should not be used.

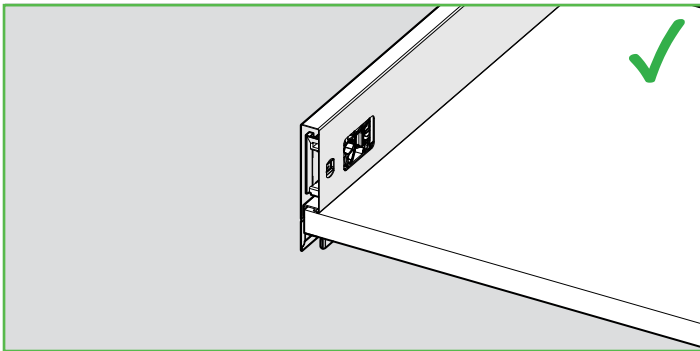


2

Slides should be installed a min. of 41 mm [1-20/32"] up from cabinet bottom panel.

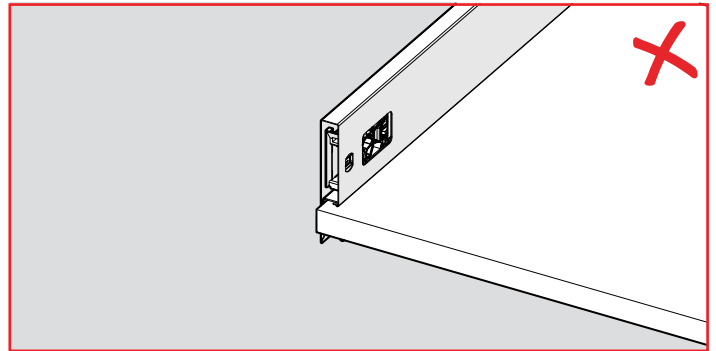


Slides should not be installed 40 mm up from cabinet bottom panel.

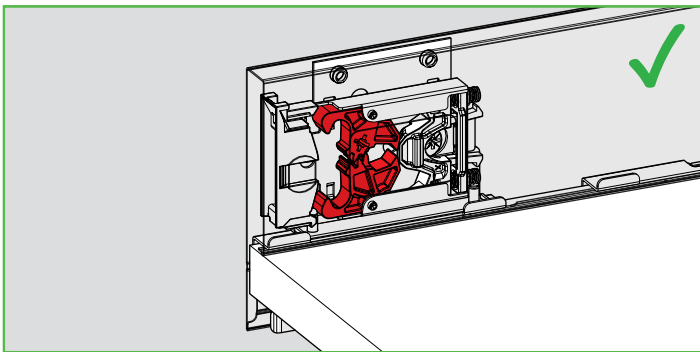


3

The front edge of the drawer bottom panel should be flush with the front side of drawer sides.

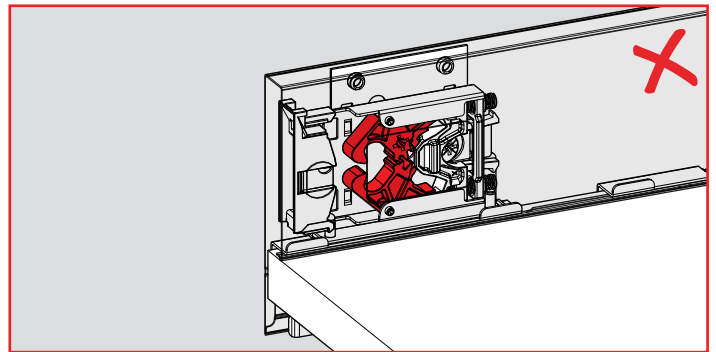


The front edge of the drawer bottom panel should not protrude past the front of drawer sides.



4

Verify that the lock mechanism is in the open position before attaching the drawer front.

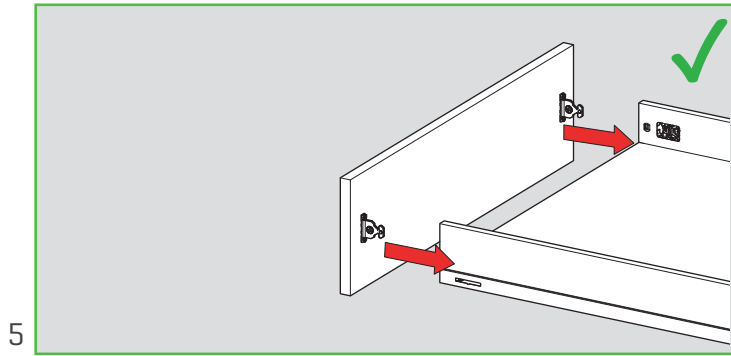


Verify that the lock mechanism is not in the closed position before attaching the drawer front.

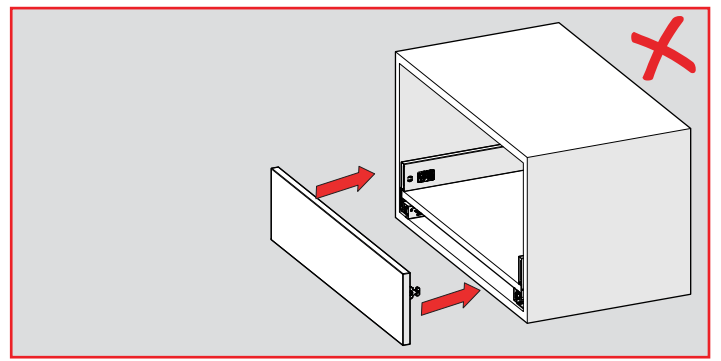
FLOWBOX

- DO - 

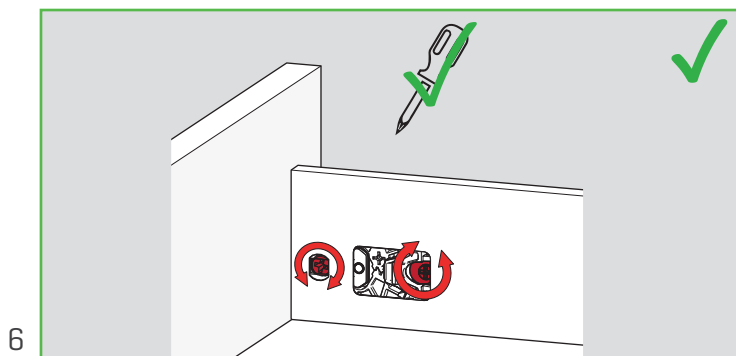
- DON'T - 



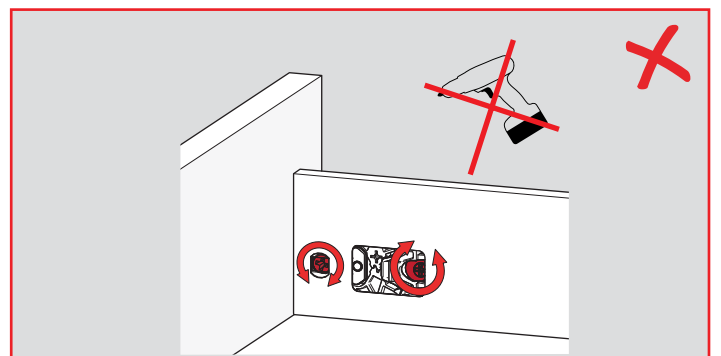
Before installing the drawer box, the drawer front should be attached to the drawer sides.



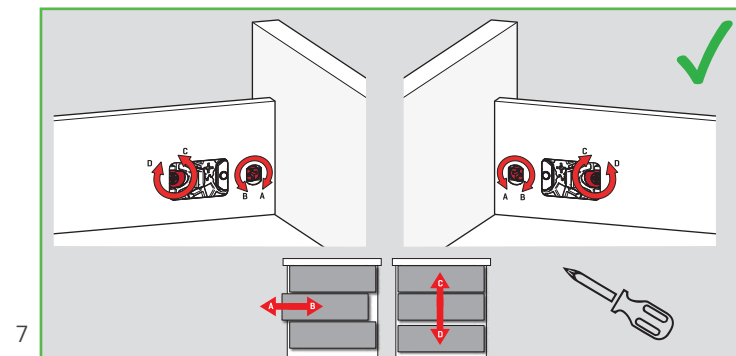
Drawer fronts should not be attached after the installing the drawer box.



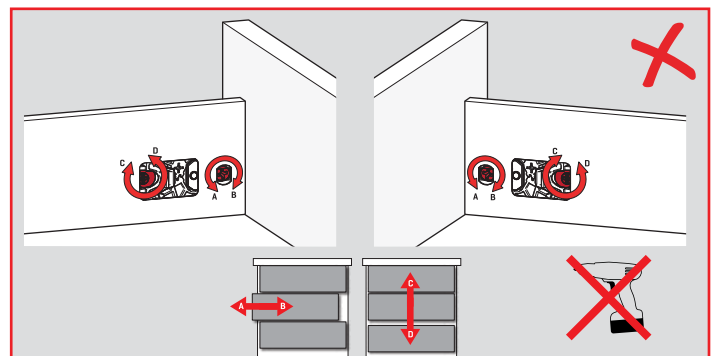
Adjustments should be made with a manual screwdriver, with a #2 Pozi Drive tip.



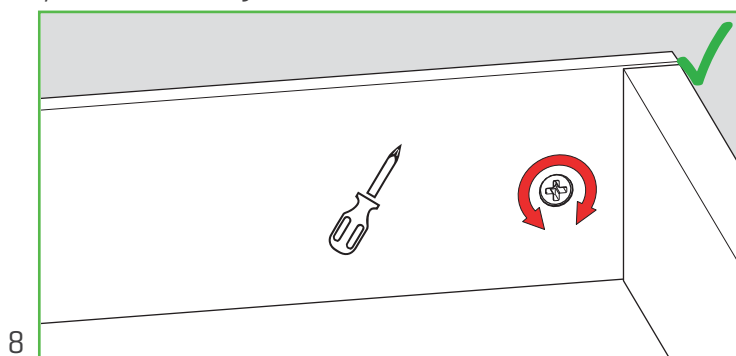
Adjustments should not be made with a power drill or power screwdriver.



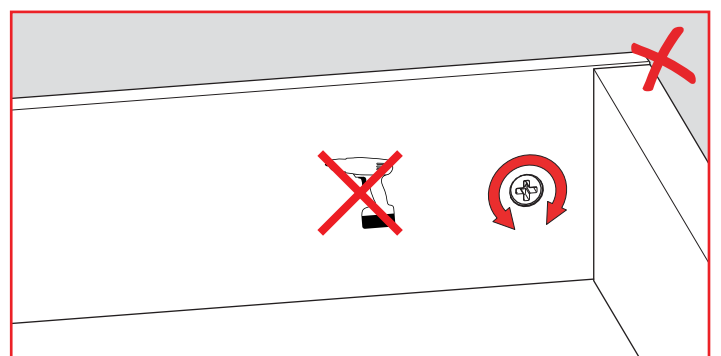
Adjustments should be made carefully by turning the adjustment screws in opposite directions to achieve your desired adjustment.



Adjustment screws should not be turned in same direction to achieve your desired adjustment.



Do not force or over turn the adjustment screws when making adjustments.

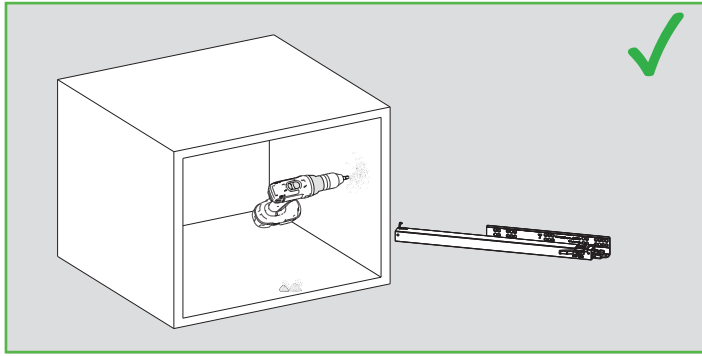


Power drill or power screwdrivers should not be used on adjustment screws.

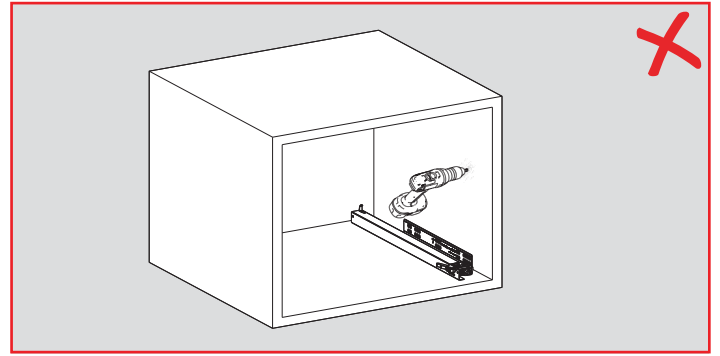
FLOWBOX

- DO - 

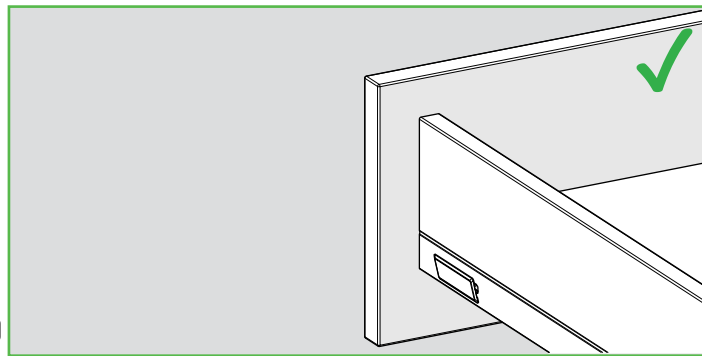
- DON'T - 



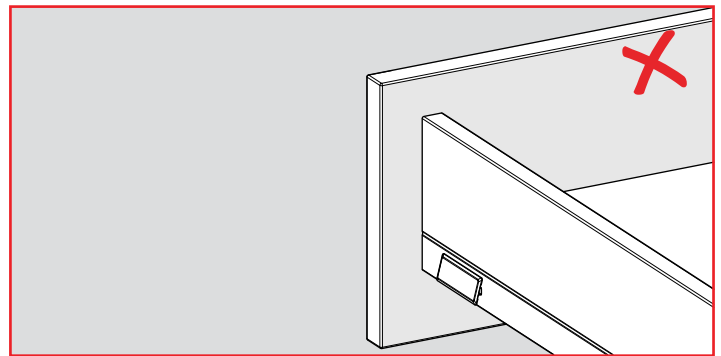
9 Make sure there is no sawdust or wood chips inside the slides.



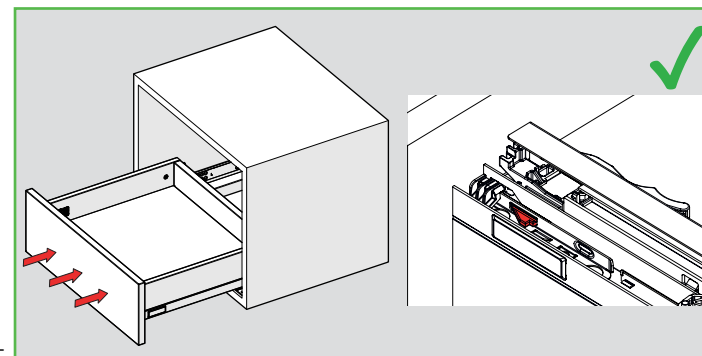
9 There should not be any sawdust or wood chips inside the slides.



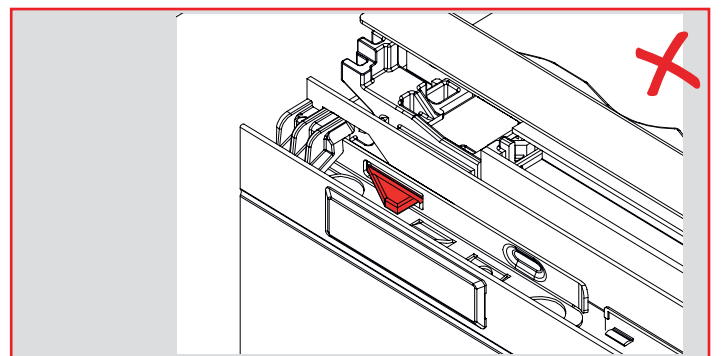
10 Attach the outer decorative covers by inserting the placement guides gently into place from the top down.



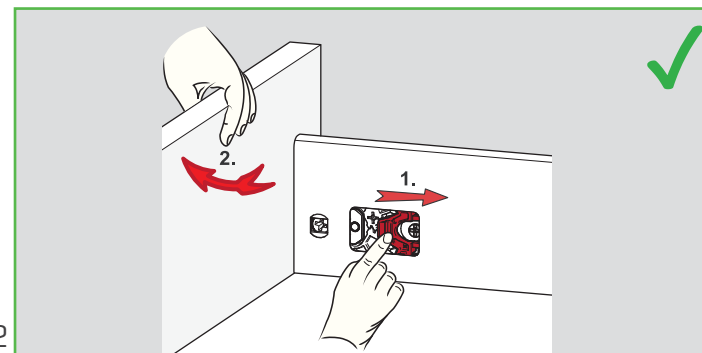
10 Upper placement guides on the outer decorative covers should not be installed from the bottom up.



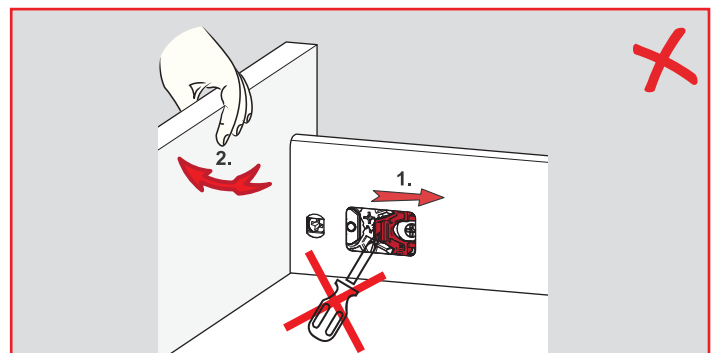
11 Drawer should be closed swiftly the first time to be sure that slides are fully engaged in the second locking notch.



11 Be sure that slide does not get in first locking notch.



12 To remove the drawer front be sure to pull back the removal switch completely until it stops.



12 Screwdrivers should not be used to remove the drawer front.