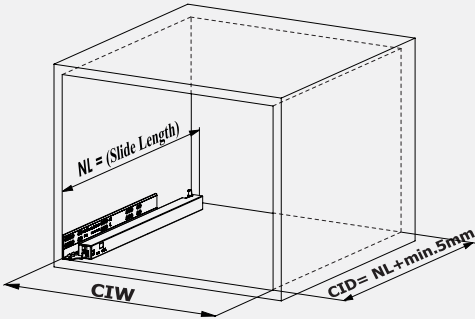


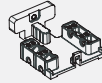
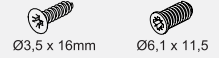


## Cabinet Dimensions

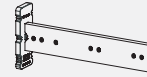


Cabinet Internal Width	CIW
Cabinet Internal Depth	CID
Drawer Depth	DD
Drawer Internal Width	DIW
Nominal Length	NL

## Recommended Screw and Templates



Smart Lock Template

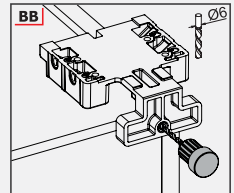
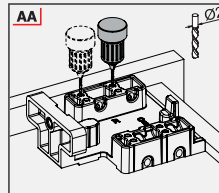
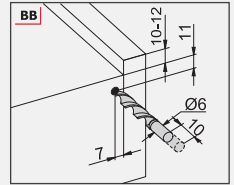
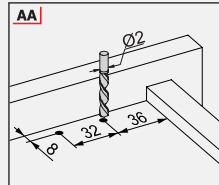
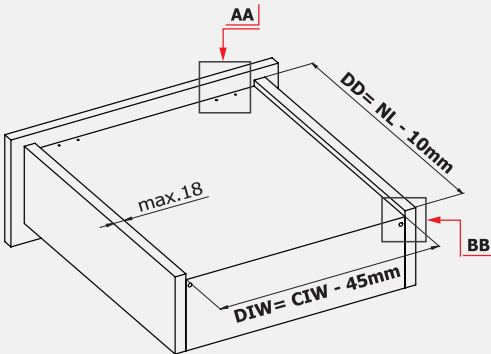


Smart Drilling Jig

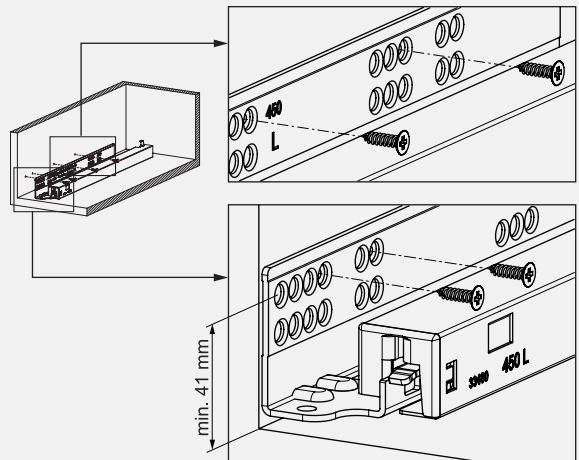
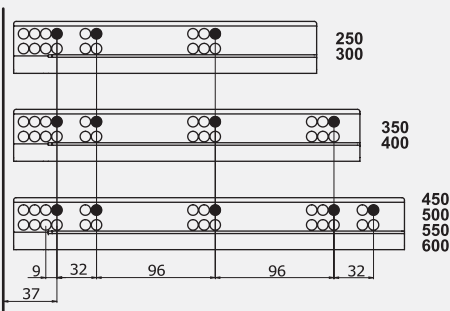


Smart Drilling Jig with Ruler

## Drawer Dimensions



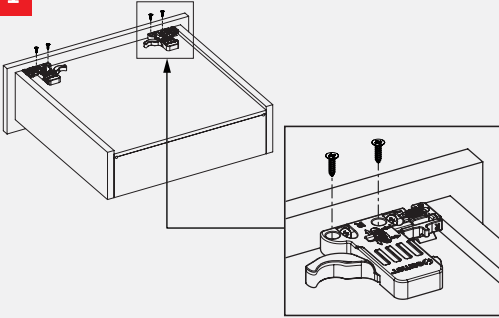
## Screw Location for The Slides



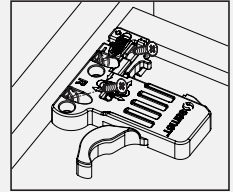
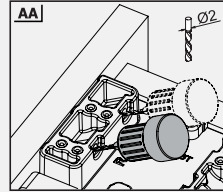
\*Screw the slides from marked holes.



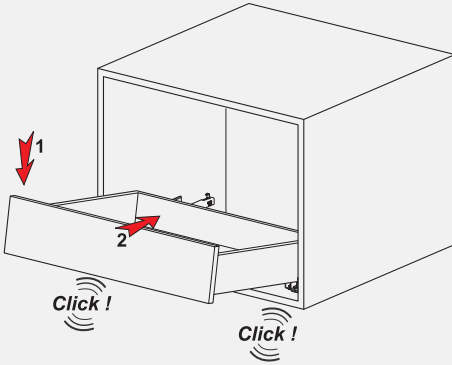
1



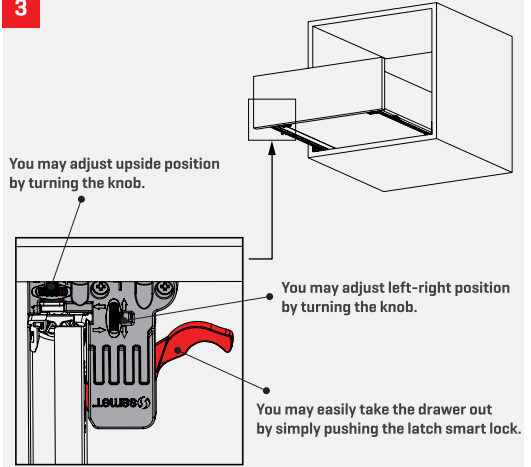
**Note:** Use angled holes to mount SMART LOCK when wooden floor width is selected less than 12 mm.



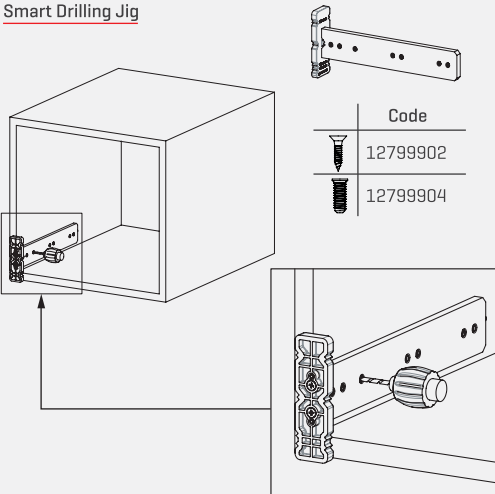
2



3



Smart Drilling Jig



Smart Drilling Jig with Ruler

