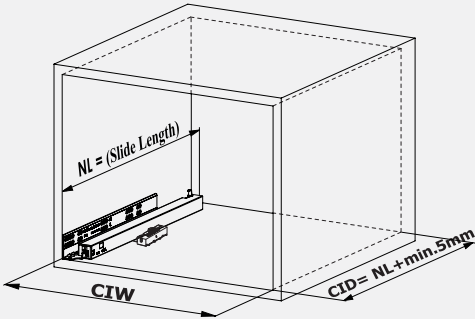


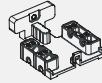
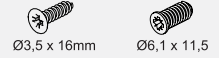


Cabinet Dimensions

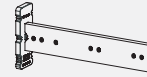


Cabinet Internal Width	CIW
Cabinet Internal Depth	CID
Drawer Depth	DD
Drawer Internal Width	DIW
Nominal Length	NL

Recommended Screw and Templates



Smart Lock Template

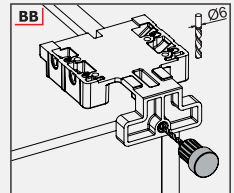
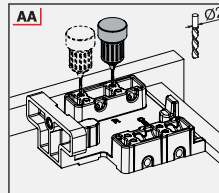
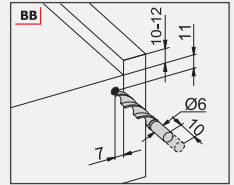
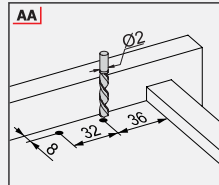
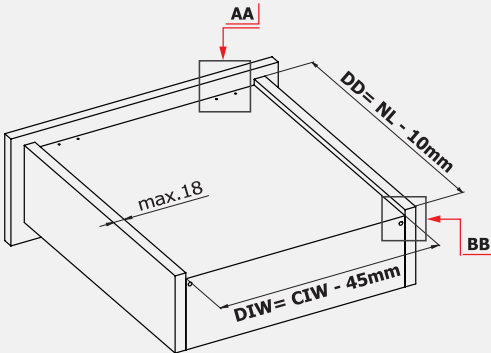


Smart Drilling Jig

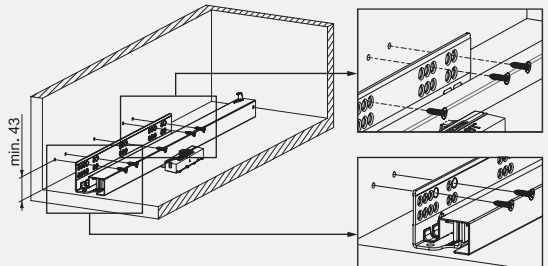
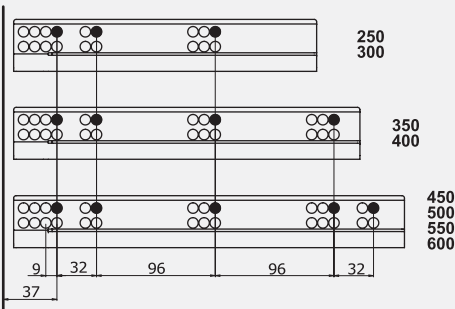


Smart Drilling Jig with Ruler

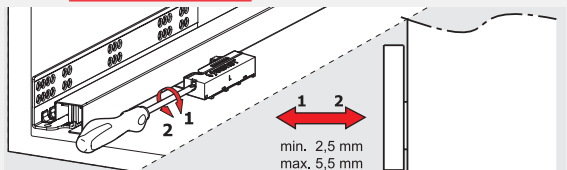
Drawer Dimensions



Screw Location for The Slides



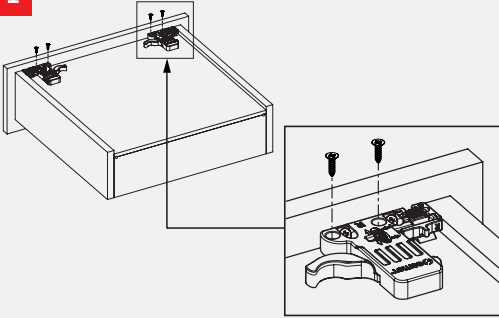
Push-Open Adjustment



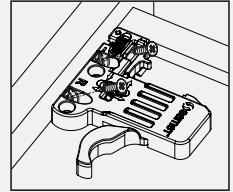
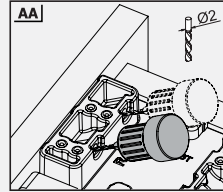
*Screw the slides from marked holes.



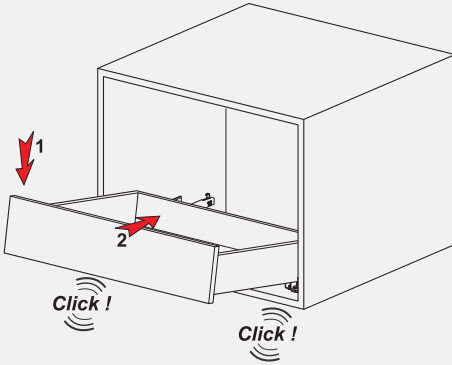
1



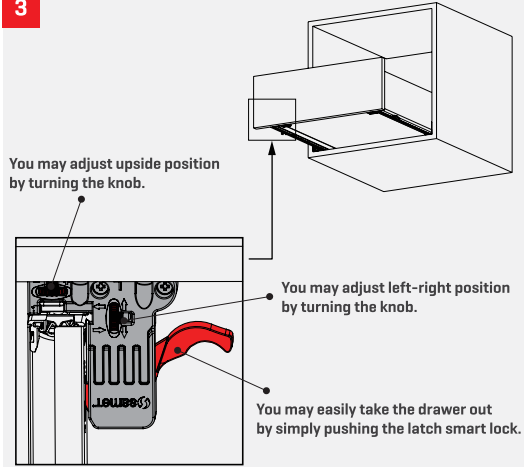
Note: Use angled holes to mount SMART LOCK when wooden floor width is selected less than 12 mm.



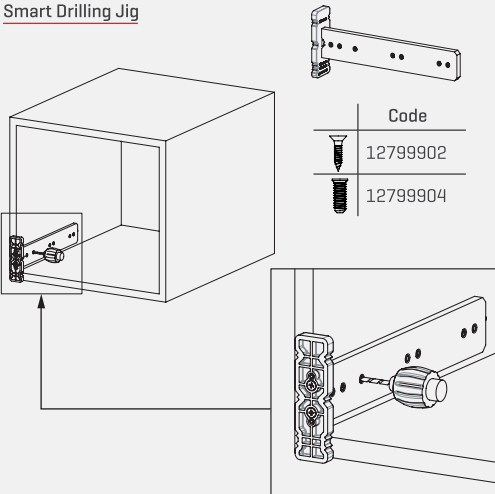
2



3



Smart Drilling Jig



Smart Drilling Jig with Ruler

